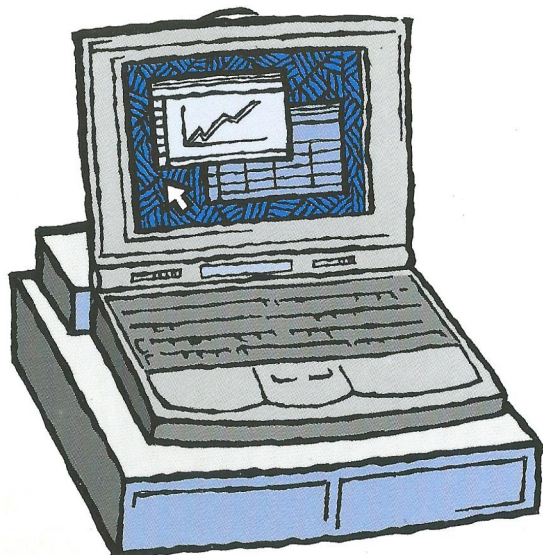


WinBook®

COMPUTER CORPORATION  
a subsidiary of Micro Electronics, Inc.

# Docking Station User's Guide

*for WinBook XP notebook computers*



WinBook® XP

## PLEASE READ ME FIRST !!!

**If your WinBookXP/XP5 is running Windows 95:** no need to install *anything!* After you have started *Windows 95* and registered the product, reboot your **WinBook** on the docking station, go to Control Panel, choose Add New Hardware and let *Windows 95* detect the CD-ROM drive.

**If your WinBookXP/XP5 is running MS-DOS 6.xx & Windows 3.xx:** you will need to install drivers from the disk enclosed in the box with the docking station. Exit *Windows*, place the disk in drive A: and run "SETUP." Boot up with the **WinBook** on the docking station, and your CD-ROM drive will now be accessible.

## FREQUENTLY ASKED QUESTIONS

**There are two silver plates in a recessed area located in the rear, left side of the docking station? What are these for, and what is the hole for in one of the plates?**  
One is just a cover for an empty slot, which is used to add adapter cards for other devices; other disk drives, tape drives, game ports, etc. and will accept any standard ISA card, up to  $\frac{3}{4}$  length. The other is the IDE adapter that controls the CD-ROM drive in the docking station; and the hole *would* be for a speaker connection, *if* it were connected; but is not, since a port is provided on the back of the docking station for external speaker connection.

**What is the item enclosed in the docking station box that resembles a disk drive?**  
This is provided, for your convenience, to adapt a  $3\frac{1}{2}$ " drive to properly fit in the  $5\frac{1}{4}$ " drive bay in the docking station, should you choose to mount such a drive at some future time.

**Why do I sometimes have difficulty getting peripheral devices to operate after powering up the WinBookXP/XP5 on the docking station?**

The most frequent cause of docking station difficulties is improper seating. We recommend you slide the **WinBook** into position on the alignment pins, place one hand behind the docking station, the other hand in front of the **WinBook** and press firmly.

**I have both a WinBookXP and a WinBookXP5, can I use the same docking station for both machines?**

In a word, no. There are physical differences between the two machines that preclude this.

**Can I "hot-dock" my WinBookXP/XP5 on the docking station. For example, remove and/or insert the WinBook while the WinBook is powered on?**

NO! This is something you must *never* do. This will most likely result in damage to the **WinBook**, the docking station or both.

**What is the blank panel next to the CD-ROM drive in my docking station?**

This plastic panel covers a second  $5\frac{1}{4}$ " drive bay that you may use for adding a second hard drive, another floppy drive, or other peripheral devices that will fit in a standard  $5\frac{1}{4}$ " bay.

**What is the cable laying in the bottom of the docking station?**

This is a connector for a second floppy disk drive, should you choose to add one.

**Can I use the duplex adapter supplied with the WinBook?**

No. Ports for both mouse and keyboard are provided on the docking station.

## Note to customers who have purchased docking stations with CD-ROM pre-installed

### IDE CD-ROM drivers

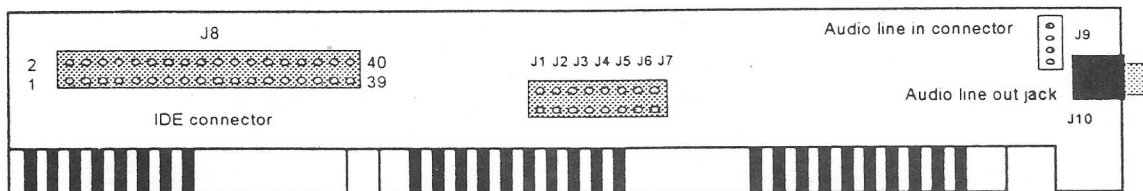
If you have purchased a WinBook XP docking station with a CD-ROM pre-installed, the CD-ROM controller card and cables are already set up to work correctly. However, in order to use the CD-ROM in your docking station with the WinBook XP product line you must first install special software known as "device drivers". This special software allows the WinBook to access the ATAPI CD-ROM drive as a secondary IDE device. The driver is contained on a diskette that came with your docking station and may be installed as follows:

1. Make a backup copy of your CONFIG.SYS and AUTOEXEC.BAT files since the installation program will modify your existing files.
2. Install WinBook XP in docking station and turn on the dock.
3. Place CD-ROM driver diskette into WinBook floppy drive.
4. From the DOS prompt type:  
     A: < enter >  
     setup < enter >

Follow the on-screen instructions for installing the drivers. We recommend the drivers be installed in the directory C:\drivers\Toshiba and that you select the option to automatically update your CONFIG.SYS and AUTOEXEC.BAT files.

5. Reboot your WinBook XP by typing Ctrl-Alt-Del keys simultaneously or by powering the docking station off and back on.
6. You should now be able to access the CD-ROM drive as drive "D".

IDE CD-ROM controller card



### *Jumpers setting*

Items	Default	Option		
		ON(168H)	OFF(1E0H)	OFF(1E8H)
J1	ON(170H)	ON(168H)	OFF(1E0H)	OFF(1E8H)
J2	OFF(170H)	ON(168H)	ON(1E0H)	OFF(1E8H)
J3	ON	OFF	OFF	OFF
J4	OFF	ON(IRQ10)	OFF(IRQ12)	
J5	OFF	OFF(IRQ10)	ON(IRQ12)	
J6	ON-IRQ15	OFF(IRQ10)	OFF(IRQ12)	
J7	OFF-(I/O check ready)	ON		





---

---

# WinBook<sup>®</sup> XP

Docking Station  
User Manual

---

---

# WinBook XP Docking Station

---

---

Power Type ..... 95-130V/60Hz ; 200-260V/50-60Hz

**Technical Support Telephone No.** \_\_\_\_\_

*(This number is in the "Read-me-first" document which comes with your docking station.)*

Copyright C 1994, WinBook Computer Corporation, a subsidiary of Micro Electronics, Inc., All rights reserved.

WinBook and WinBook XP are registered trademarks of Micro Electronics Inc.

NEC is a trademark of NEC Technologies, Inc.

All other product names are copyright and registered trademarks/tradenames of their respective owners.

Publication Information ..... Revision 1.3d 1/95

---

---

## FEDERAL COMMUNICATIONS COMMISSION INTERFERENCE STATEMENT

This equipment has been tested and found to comply with the limits for a Class B digital device, pursuant to Part 15 of the FCC Rules. These limits are designed to provide reasonable protection against harmful interference in a residential installation. This equipment generates, uses and can radiate radio frequency energy and, if not installed and used in accordance with instructions, may cause harmful interference to radio communications. However, there is no guarantee that interference will not occur in a particular installation. If this equipment does cause harmful interference to radio or television reception, which can be determined by turning the equipment off and on, the user is encouraged to try to correct the interference by one or more of the following measures:

- Reorient or relocate the receiving antenna.
- Increase the separation between the equipment and the receiver.
- Connect the equipment into an outlet on a circuit different from that to which the receiver is connected.
- Consult the dealer or an experienced radio/TV technician for help.

### CAUTION:

To assure continued FCC compliance:

- (1) The user must use shielded interface cables and shielded power cords.
- (2) Any changes or modifications not expressly approved by the guarantee of this device could violate the user's authority to operate the equipment.





# Contents

## Chapter 1

Introduction .....	1
--------------------	---

## Chapter 2

Using the Docking Station with the WinBook XP .....	5
--	---

## Chapter 3

Connecting Peripherals .....	9
------------------------------	---

## Chapter 4

Troubleshooting .....	21
-----------------------	----

Appendix .....	25
----------------	----

Index .....	37
-------------	----



# Chapter 1

## Introduction

Congratulations on your purchase of the WinBook XP Docking Station. This manual explains how to use the Docking Station so that you may better enjoy the power and potential of your WinBook XP. Please read through the relevant sections of this manual carefully before attempting to use the Docking Station.

### Note

**Before you continue, refer to the “Read-me-first” document included with your Docking Station and record the telephone number of your technical support representative in the reserved area in the front of this manual for easy future reference. This Docking Station is intended for the WinBook XP Notebook Computer only.**

## Unpacking the Docking Station

The following items are included with the WinBook XP Docking Station. If any items are damaged or missing, notify a technical support representative at the service center number listed on the “read-me-first” sheet enclosed with the Docking Station.

- Docking Station unit
- AC power cord
- 3 1/2" Floppy Drive Mounting Kit (includes: 3 1/2 inch floppy drive carriage; I/O switch adapter for 3 1/2 inch floppy drives; power cable adapter for 3 1/2 inch floppy drives; and 8 mounting screws)
- User Manual

## Power Supply

### Warning

**Before attempting to power up your *WinBook XP Docking Station*, please read this chapter carefully.**

The Docking Station uses a universal type power supply that automatically switches to adjust from 95 to 260 volts VAC at 50/60 Hz according to the locally supplied voltage.

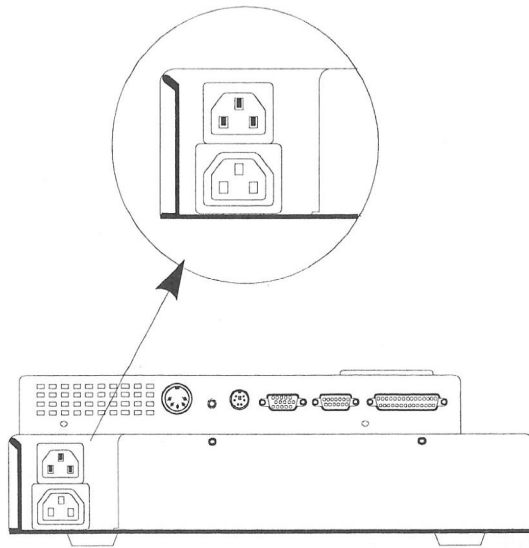


Figure 1-1



**Note**

This device requires a shielded interface cable and a shielded AC power cord in order to comply with FCC Class B Limits - in accordance with Section 15.27(c) of FCC rules.

**Care and Handling of the Docking Station**

The following guidelines should be followed in order to avoid damaging your Docking Station:

- ❑ Set up the Docking Station in a cool, dry location, away from direct sunlight.
- ❑ Avoid exposing the Docking Station to extreme temperatures while in operation. The safe range of operation is 41°F to 95°F.
- ❑ Do not place heavy objects on top of the Docking Station.
- ❑ Be sure and place the Docking Station in an area that has adequate ventilation. The Docking Station relies on convection cooling rather than noisy fans so it is important not to block the vents or cover the Docking Station while it is operating. The vents are shown in Figure 1-3.

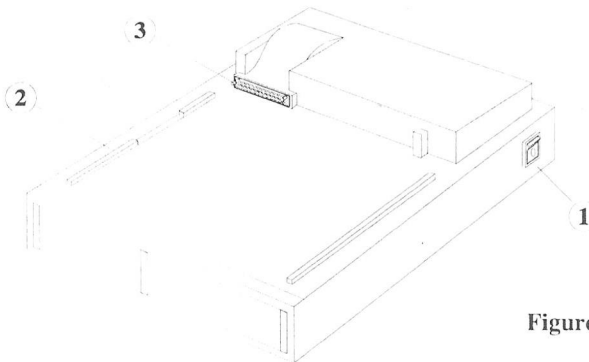
**The WinBook XP Docking Station at a Glance**

Figure 1-2

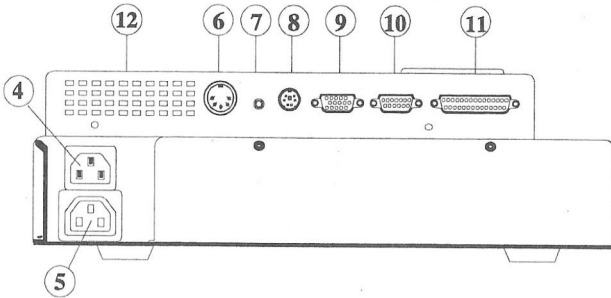


Figure 1-3

1. Main power switch
2. Docking guide rails
3. 200 pin AT bus connector
4. 110/220 Volt wall outlet AC input jack
5. 110/220 Volt AC output jack
6. AT keyboard port (no adapter required with AT keyboard)
7. Stereo/audio output jack
8. PS/2 mouse port
9. Connector for external VGA monitor
10. Serial port (COM 1)
11. Parallel port (LPT 1)
12. Cooling Vents

# Chapter 2

## Using the Docking Station with the WinBook XP

Follow these instructions carefully to ensure proper operation and avoid damaging your WinBook XP and/or Docking Station.

*Important*

**Both your WinBook XP and your Docking Station should be turned off (main power switches set to “off”) before attempting to “dock” your WinBook XP in the Docking Station.**

1. Connect the AC power cord between the Docking Station and a wall outlet. Use of a surge protector between the Docking Station and the wall outlet is recommended. Do not turn the main power switch of the Docking Station on at this point.
2. Remove the Docking Station connector cover located on the right side on the back of the WinBook XP. The I/O cover (left side) can be left in place.
3. Using both hands, ease the WinBook XP in between the docking guide rails on the Docking Station and slide it toward the Docking Station connector port.
4. Insert the WinBook XP approximately halfway into the Docking Station connector port.
5. Push the WinBook XP firmly until it is flush against the Docking Station.

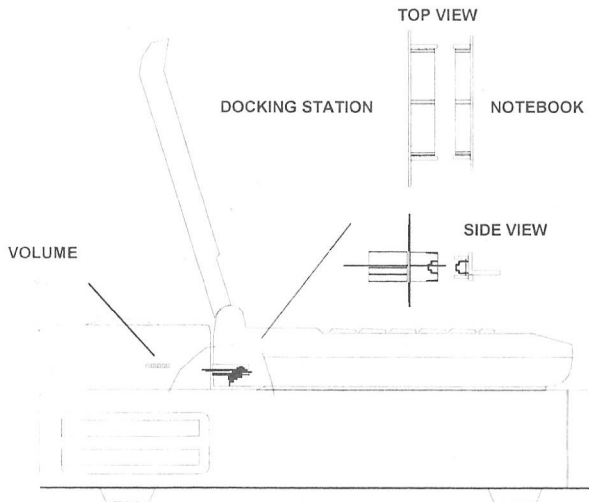


Figure 2-1

## Warning

When installed in the Docking Station, the WinBook XP display should not be pushed back beyond 100° or it will come into contact with the housing of the Docking Station. Forcing the display back beyond this limit could damage the Docking Station or the WinBook XP.

6. Turn on the main power switch of the Docking Station. Leave the WinBook XP power switch in the 'off' position.
7. Your WinBook XP should now start up. The WinBook's battery will charge automatically while the computer is inserted in the Docking Station, regardless of whether the Docking Station is on or off.



## **Disconnecting your WinBook XP computer from the Docking Station**

1. Save your work and close down any applications that are running.
2. Use the main power switch on the Docking Station to shut off both your computer and the Docking Station.
3. Pull the WinBook XP forward until it is disengaged from the Docking Station.



# Chapter 3

## Connecting Peripherals

Various devices can be connected and installed in your Docking Station to be used every time you “dock” your WinBook XP.

### **The following expansion ports are available in the Docking Station:**

- ❑ Two ISA, 16-bit bus slots

The ISA 16-bit bus slots can be used to install a network card, an extra serial/parallel port, a SCSI controller (which can connect to a CD ROM, tape drive or hard drive), or any other device requiring an 8-bit or 16-bit ISA slot. (see Figure 4.1)

- ❑ One internal floppy drive cable connector

This connector allows the attachment of an additional floppy drive without using an ISA bus slot. This drive will be designated as <B>; the floppy drive on the WinBook<sup>®</sup> XP is designated as <A>.

- ❑ Two 5 1/4" half-height drive bays

These two drive bays are used to house an extra floppy drive, hard drive, tape drive or CD-ROM player, etc.

### Installing Expansion Devices

#### **Danger: High Voltage**

**For your safety, before attempting to connect any peripherals or expansion devices to the WinBook<sup>®</sup> XP Docking Station, please make sure the Docking Station is turned off and unplugged.**

#### **Caution**

**Static electricity (sometimes referred to as ESD, Electro Static Discharge) can build up without your being aware of it. *Even a small discharge can damage sensitive components in your WinBook Notebook Computer.***

Before you start, protect your WinBook Notebook Computer and Docking Station from static electricity damage during installation. You can do this by:

- a. not wearing wool or synthetic fabrics which accumulate static
- b. touching a grounded object (e.g. a metal water pipe) just before you start or standing on a concrete floor
- c. wearing an anti-static wrist strap connected to a grounded object
- d. working on an anti-static pad
- e. keeping components in their protective anti-static package until you are ready to install them
- f. only touching the edges of the board

The best solution is to do all of the above.

Anti-static straps, such as the 3M model 2209, may be purchased at computer supply stores.



## Installing a Floppy Disk Drive in the Docking Station

### Note

**Floppy drives must be installed in the left-hand side drive bay of the Docking Station.**

1. Turn the master power switch off and unplug the Docking Station's AC power cord.
2. Carefully flip the Docking Station upside down and place it on a flat, clean working surface.
3. Using a philips screwdriver, remove the four screws securing the dark gray, hinged bottom/rear panel (see figure 3.1).
4. Remove the hinged bottom/rear panel and set it aside (see figure 3.1).

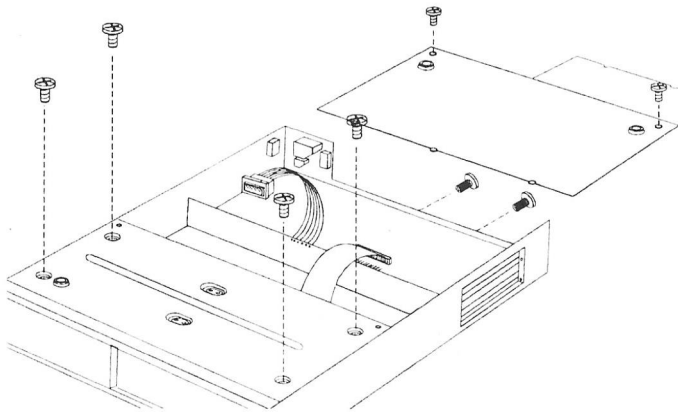
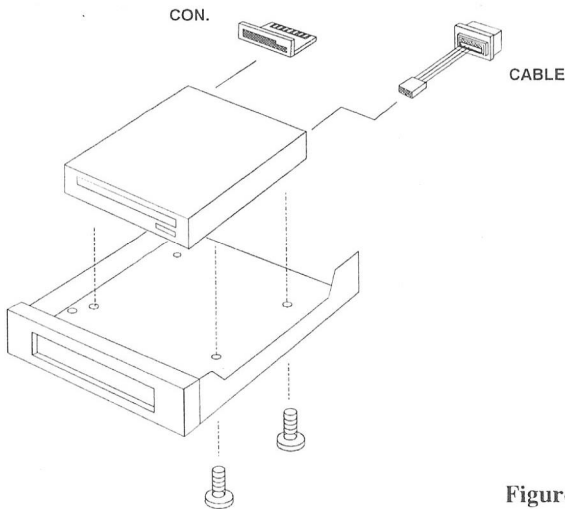


Figure 3-1

5. Next remove the screws securing the silver-colored bottom panel (see figure 3.1). Remove the panel and set it aside.
6. Using your fingers, pop out the plastic panel covering the left-hand side drive bay (on your right-hand side now that the unit is upside down).
7. If you are installing a 3 1/2 inch floppy disk drive, install your floppy disk drive in the carriage using the eight mounting screws provided (see figure 3.2).
8. For 3 1/2 inch floppy drives you will also need to attach adapters provided in your Mounting Kit for the I/O connection and the power connection (see figure 3.2).



**Figure 3-2**

9. Make the necessary connections for power and data lines in the docking station (see figure 3.3)

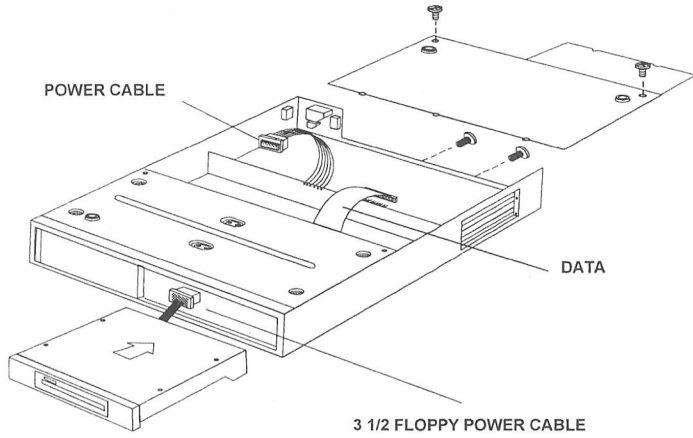


Figure 3-3

10. Replace the gray bottom panel, taking care to align the screw holes in the panel with those in the bottom panel of the floppy disk drive carriage. Place the screws in these holes, thus securing the gray bottom panel to the 3 1/2 inch floppy disk drive carriage as well as to the housing of the Docking Station (see figure 3.4).

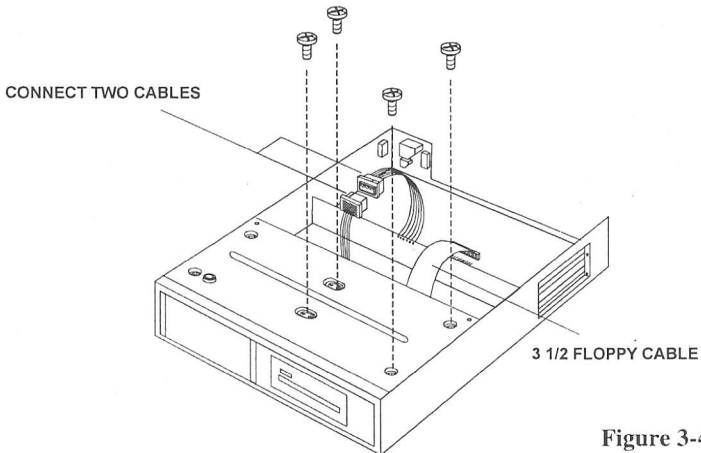


Figure 3-4

11. Replace the black, hinged rear/bottom panel (see figure 3.5).

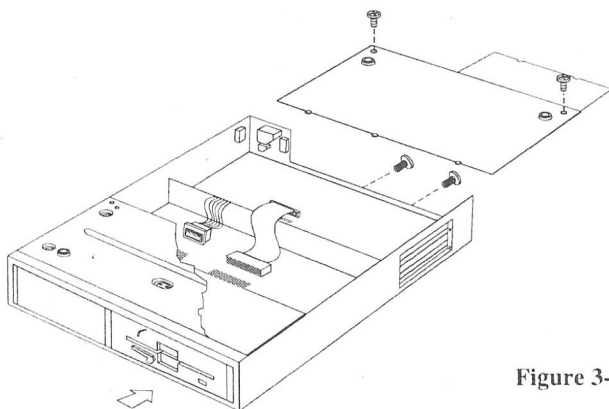


Figure 3-5

### Reconfiguring your WinBook

In order to be able to access the floppy drive after you have installed it in the Docking Station, you must configure the WinBook XP to recognize the floppy drive. When you turn on the WinBook XP after installing the floppy drive in the Docking Station, your WinBook XP will report a configuration error. Press the 'F2' key to enter the System Setup Utility. Use the 'Down Arrow' key to move the cursor down to "Diskette B" and then use the '+' key to select the appropriate setting for the floppy drive you have just installed. Press 'F4' to save your settings and reboot. After your WinBook XP reboots, you will be able to access the floppy disk in the Docking Station as drive B. If you later disconnect your WinBook from the Docking Station and reboot, you will get another warning message as your WinBook can no longer find floppy drive B. You can either reconfigure the System Setup again, or press 'F1' to continue, ignoring the error message. For more details on the WinBook Configuration Utility, see Chapter 6 of the *WinBook XP User's Manual*.

## Installing a SCSI Controller Card in the Docking Station

If you plan to install a SCSI CD-ROM, SCSI hard disk or other SCSI device in your docking station you must first install a SCSI controller card in the docking station.

1. Turn the master power switch off and unplug the Docking Station's AC power cord.
2. Remove the two screws on the rear section of the black, hinged bottom/rear panel.
3. Remove the slot cover from the slot to be used.
4. Insert the controller card and secure it snugly with the screw you just removed. (see figure 3.6)

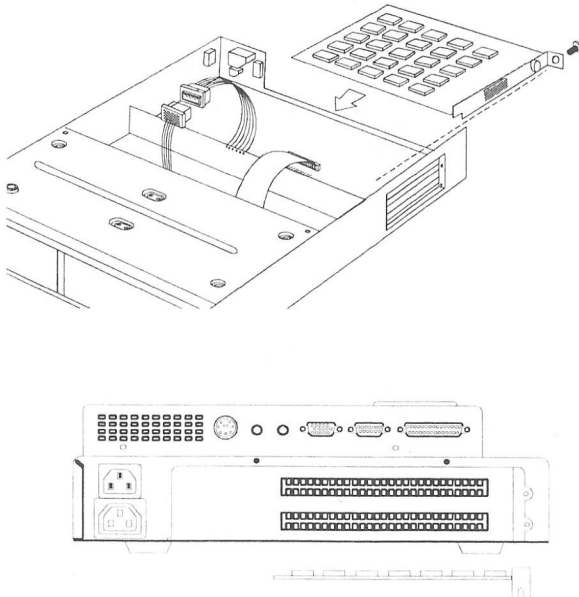


Figure 3-6

Now that you have completed the installation of the SCSI controller card, you can go on to install your SCSI device.

### Installing a CD-ROM player in the Docking Station

A number of CD-ROM players that feature front panel control buttons (Play, Stop, etc.) are compatible and can be easily installed in your WinBook XP Docking Station. Check the Appendix for a list of supported CD-ROM drives.

In the following example, a NEC CD-ROM player is used for purposes of illustrating how installation of a CD-ROM drive is performed. To find out which other CD-ROM players and other expansion devices are compatible with the WinBook XP Docking Station, consult your WinBook XP sales representative.

#### Note

**Floppy drives must be installed in the left-hand side drive bay of the Docking Station. If you have plans to attach an additional floppy drive to your WinBook XP Docking Station, reserve the left-hand side drive bay for this purpose and install any other device in the right-hand side drive bay.**

### CD-ROM Player Installation

Before installing a CD-ROM player, install the necessary SCSI interface card. Refer the instructions above, *Installing a SCSI Controller Card in the Docking Station*.

1. Turn the master power switch off and unplug the Docking Station's AC power cord.
2. Carefully flip the Docking Station upside down and place it on a flat, clean working surface.
3. Using a phillips screwdriver, remove the four screws securing the dark gray, hinged bottom/rear panel (see figure 3.7).

4. Remove the hinged bottom/rear panel and set it aside (see figure 3.7).
5. Remove the screws securing the silver colored bottom panel (see figure 3.7). Remove the panel and set it aside.
6. Using your fingers, pop out the plastic panel covering the drive bay.
7. Slide the CD-ROM drive into the drive bay making sure that it is correctly oriented.
8. Make the necessary connections for power, data and audio. Connect the flat SCSI cable between the CD ROM and the SCSI controller.

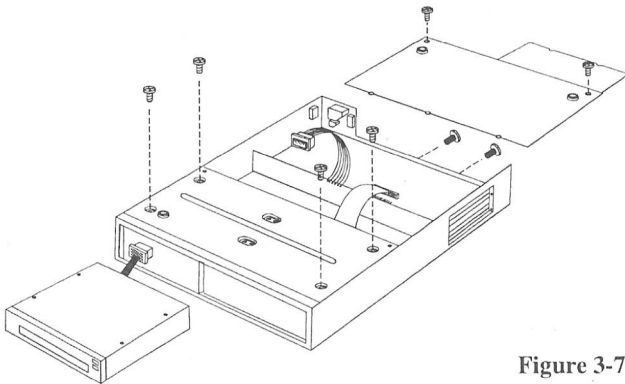


Figure 3-7

You can order audio cable adapters for the more popular types of CD/ROM drives.

9. Replace the two screws on the black, hinged bottom/rear panel.



10. Replace the silver bottom panel, taking care to align the screw holes in the panel with those in the bottom panel of the CD-ROM drive. Replace the screws in these holes, thus securing the bottom panel to the CD-ROM drive as well as to the housing of the Docking Station.
11. Replace the hinged bottom/rear panel.
12. Refer to your CD-ROM's guide for instructions on configuring your CD-ROM drive and controller. This configuration usually involves installing driver software from a diskette provided with the SCSI controller card.

### **Installing a SCSI Hard Disk Drive in the WinBook XP Docking Station**

1. Install the appropriate hard disk controller card for the hard disk you have installed. Refer the instructions above, *Installing a SCSI Controller Card in the Docking Station*.
2. Turn the master power switch off and unplug the Docking Station's AC power cord.
3. Carefully flip the Docking Station upside down and place it on a flat, clean working surface.
4. Using a phillips screwdriver, remove the four screws securing the dark gray, hinged bottom/rear panel (see figure 3.7).
5. Remove the hinged bottom/rear panel and set it aside (see figure 3.7).
6. Remove the screws securing the silver colored bottom panel. Remove the panel and set it aside (see figure 3.7).

7. Using your fingers, pop out the plastic panel covering the drive bay.
8. Slide the hard disk drive into the drive bay making sure that it is correctly oriented.
9. Make the necessary connections for power, data and audio. Connect the flat SCSI cable between the hard disk and the SCSI controller.
10. Replace the two screws on the black, hinged bottom/rear panel.
11. Replace the silver bottom panel, taking care to align the screw holes in the panel with those in the bottom panel of the hard disk. Replace the screws in these holes, thus securing the bottom panel to the hard disk drive as well as to the housing of the Docking Station.
12. Replace the hinged bottom/rear panel.
13. Refer to your hard disk's guide for instructions on configuring your hard disk drive and controller. This configuration usually involves installing driver software from a diskette provided with the SCSI controller card.



# Chapter 4

## Troubleshooting

Following is a short list of common problems you may encounter during operation of your WinBook XP Docking Station and suggestions for addressing them.

- ❑ **System does not boot or function normally when docked**
  - Check that the WinBook XP is properly docked. Undock and redock the WinBook XP.
  
- ❑ **Check that all connections are secure.**
  - Check that the main power switch of the Docking station is on. Turn off the power switch on the WinBook XP and turn on the Docking Station's main power switch.
  
- ❑ **Peripheral device (keyboard, mouse, VGA monitor, etc.) not working.**
  - Check connections between the peripheral and the Docking Station. Disconnect the WinBook XP and peripheral from the Docking Station and connect the peripheral directly to the WinBook XP. If the peripheral functions properly when connected directly to the WinBook XP, the connection for this peripheral to the Docking Station may not be secure or the port on the Docking Station may be defective.

- ❑ **Floppy Disk not operating correctly**
  - Check that the connection between the floppy I/O cable and the floppy disk drive is secure.
  - Check that the WinBook XP System Setup settings correspond to the devices connected to the Docking Station. For example, if you have a floppy drive installed in the Docking Station, when you dock the WinBook the System Setup must be reset to enable the floppy drive.
  - Check that the density of the floppy disk drive is properly selected in the System Setup.
  
- ❑ **SCSI Storage Device (hard disk, card, CD-ROM drive, etc.) not working or system fails to boot.**
  - Check that the interface card is properly installed and well seated in its socket.
  - Check that the connection between the I/O cable and the interface card, and the connection between the I/O cable and the storage device are both secure.
  - Check that the storage device's power connector is correctly and securely connected to the Docking Station's power connector.
  - Check that the I/O memory, IRQ and DMA settings of the ISA card do not conflict with ranges reserved for use by the WinBook XP. Refer to the appendix for a complete list of system resources and device addresses.
  - Check that the appropriate SCSI drivers are being correctly loaded at boot-up.

❑ Network Card Fails

- Check that the interface card is properly seated in its socket.
- Check that all the appropriate network drivers are being loaded at boot up.
- Check that the settings of the I/O memory, IRQ and DMA settings of the ISA card do not conflict with ranges reserved for use by the WinBook XP. Refer to the appendix for a complete list of system resources.

If you need further information or have determined that the Docking Station is not operating correctly, contact your WinBook XP Technical Support Representative.



---

---

# Appendix

## Technical Specifications

<b>Dimensions</b>	Depth = 14.6 in. (370 mm) Width = 13.2 in. (335 mm) Height: Front = 2.7 in. (68 mm) Back = 4.2 in. (106 mm)
<b>Weight</b>	8.8 lbs. (4.4 kg)
<b>Safe operating temp.</b>	+41°F to +95°F (+5°C to +35°C)
<b>Safe non-operating temp.</b>	-15°F to +131°F (-15°C to +55°C)
<b>Humidity, operating</b>	10-90%
<b>Humidity, non-operating</b>	5-95%
<b>Drive Bays:</b>	Dual 5.25" bays for support of either 5.25" or 3.5" 'half high' (1" high) drives.
<b>Rear panel I/O:</b>	VGA (maximum resolution 1024 x 768 x 16 colors) Serial port (110 - 115K baud) Parallel port (supports unidirectional, bi-directional, EPP, ECP) PS/2 keyboard PS/2 mouse Mono/Stereo audio output
<b>Controls:</b>	On/Off switch Mono/Stereo output volume control



- Special features:**
- Built in charger will charge the WinBook XP internal battery regardless of whether the docking station is on or off.
  - Capable of playing CD audio disks without WinBook XP docked
  - High efficiency power supply for quiet, reliable operation (no fan)
  - Guide rails for easy alignment of the WinBook XP with the docking connector
  - Quick connect and disconnect, no cables to plug in
  - Auto detect of external VGA and PS/2 pointing devices
  - Simultaneous support of internal and external PS/2 keyboards

### WinBook XP Supported CD ROM Drives

The following CD ROM drives have been tested successfully with the WinBook XP and the WinBook XP Docking Station. The SCSI drives listed below were tested with the Adaptec 1542A ISA/SCSI controller card. The WinBook XP Docking Station has also been tested with the Aztech drive and controller listed below.

Manufacturer	Model Number	Controller Tested
Aztech	CDA268-01A	Aztech (Proprietary)
NEC	CDR250	Adaptec 1542CF (SCSI)
NEC	3XP	Adaptec 1542CF (SCSI)
TEAC	CD-50	Adaptec 1542CF (SCSI)

The WinBook XP includes memory, I/O, Interrupt and DMA devices which may conflict with ISA controller cards you are attempting to install in the WinBook XP Docking Station. The following system resources are used by your WinBook XP.

**WinBook XP/Docking Station IRQ Listing**

<b>Interrupt</b>	<b>Function</b>
00	Timer
01	Keyboard
02	Cascaded PIC2
03	COM2 and COM4
04	COM1 and COM3
05	Available
06	Internal Floppy Controller
07	LPT1 (parallel port)
08	Clock
09	Available
10	Available
11	Available
12	PS/2 Pointing Device Driver
13	Math Co-processor
14	IDE Hard Drive Controller
15	PCMCIA Card Detect

**WinBook Xp Reserved I.O Ports**

Standard AT Devices	000 - 0FFh
Fixed Disk Controller	1F0 - 1FFh
Internal Audio Card (Option)	220 - 22Fh
Super I/O Configuration port	26E - 26Fh
Parallel Port If LPT2 enabled:	278 - 27Fh
If LPT1 enabled:	378 - 37Fh
Serial Port If COM2 enabled	2F8 - 2FFh
If COM1 enabled	3F8 - 3FFh
Display Adapter	3A0 - 3E5h
Floppy Controller	3F0 - 3F7h

### Available I/O Port Locations:

*(Note: May also be used by internal PCMCIA cards)*

108 - 1EF	
1F8 - 227	
220 - 22F	(Use only if WinBook audio board is disabled)
230 - 267	
270 - 2F7	
300 - 377	
380 - 387	
390 - 3BF	
3E8 - 3EF	

### Available DMA Channels:

DRQ0	
DRQ1	(Use only if WinBook audio board is disabled)
DRQ2	(Use only if WinBook internal and external floppies are disabled)
DRQ3	(Use only if WinBook ECP mode is disabled)
DRQ5	
DRQ6	
DRQ7	

\*Note: DRQ4 is used for cascade and is not available for docking station use

### WinBook XP Reserved Memory Locations

0000000 - 009FFFFh	System memory
00A0000 - 00BFFFFh	Video memory
00C0000 - 00DFFFFh	(If EMM386 or PCMCIA drivers enabled)
00E0000 - 00E7FFFh	Video BIOS
00E8000 - 00EBFFFh	System Setup Utility
00EC000 - 00EFFFFh	APM and Power Management Drivers
00F0000 - 00FFFFFFh	System BIOS
0100000 - 7FFFFFFFh	System RAM (up to 32MB)

### Available IRQ Assignments:

*(These may also be used by internal PCMCIA)*

IRQ3	(Use only if WinBook COM2 is disabled)
IRQ4	(Use only if WinBook COM1 is disabled)
IRQ5	(Use only if WinBook audio is set to IRQ7, and parallel port is set to LPT1)
IRQ6	(Use only if internal and external floppy drives are disabled)
IRQ7	(Use only if WinBook parallel port is set for LPT2 and WinBook audio board is set to IRQ5)
IRQ9	
IRQ10	
IRQ11	
IRQ15	

The following tables detail the internal connectors of your WinBook XP Docking Station. For more details on the pin assignments of the external connectors, refer to the *WinBook XP User's Manual*. The connectors of the Docking Station are identical to the connector pin assignments of the WinBook XP external connectors. The following information is for reference only. None of this information needs to be set for normal operation of the Docking Station.

<b>Internal Cable Pin Assignment:</b>			
<b>Connector</b>	<b>Pin</b>	<b>Color</b>	<b>Voltage</b>
CN1	1	Black	GND
	2	Black	GND
	3	Blue	-12V
	4	Yellow	+12V
	5	Red	+5V (high current)
	6	Red	+5V (high current)
	7		NC
	8	White	-5V
CN2	1	Gray	+21V
	2	Gray	+21
	3	Black	GND
	4	Red	+5V (low current)
CN3	1	Brown	Right channel audio input
	2	Red	GND
	3	Yellow	Left channel CD audio input
	4	Green	GND

ISA Slot Pin Assignments			
GND	B1	A1	IOCHCK#
RSTDRV	B2	A2	SD7
+5V	B3	A3	SD6
IRQ9	B4	A4	SD5
-5V	B5	A5	SD4
DRQ2	B6	A6	SD3
-12V	B7	A7	SD2
0WS	B8	A8	SD1
+12V	B9	A9	SD0
GND	B10	A10	IORDY#
SMEMW#	B11	A11	AEN
SMEMR#	B12	A12	SA19
IOW#	B13	A13	SA18
IOR#	B14	A14	SA17
DACK3#	B15	A15	SA16
DRQ3	B16	A16	SA15
DACK1#	B17	A17	SA14
DRQ1	B18	A18	SA13
REFRESH#	B19	A19	SA12
CLK	B20	A20	SA11
IRQ7	B21	A21	SA10
IRQ6	B22	A22	SA9
IRQ5	B23	A23	SA8
IRQ4	B24	A24	SA7
IRQ3	B25	A25	SA6
DACK2#	B26	A26	SA5
T/C	B27	A27	SA4
BALE	B28	A28	SA3
+5V	B29	A29	SA2
OSC	B30	A30	SA1
GND	B31	A31	SA0

<b>ISA Slot Pin Assignemnts - Continued</b>			
MEMCS16#	D1	C1	SBHE#
IOCS16#	D2	C2	LA23
IRQ10	D3	C3	LA22
IRQ11	D4	C4	LA21
IRQ12	D5	C5	LA20
IRQ15	D6	C6	LA19
IRQ14	D7	C7	LA18
DACK0#	D8	C8	LA17
DRQ0	D9	C9	MEMR#
DACK5#	D10	C10	MEMW#
DRQ5	D11	C11	SD8
DACK6#	D12	C12	SD9
DRQ6	D13	C13	SD10
DACK7#	D14	C14	SD11
DRQ7	D15	C15	SD12
+5V	D16	C16	SD13
MASTER#	D17	C17	SD14
GND	D18	C18	SD15

Docking Station Connectors - Continued			
SD14	61	62	IRQ7
LPTD6	63	64	CDIN_R
SD15	65	66	GND
LPTD7	67	68	CDIN_L
GND	69	70	DRQ1
GND	71	72	NONSUSP
SA0	73	74	DRQ2
KBDATA	75	76	
SA1	77	78	DRQ3
KBCLK	79	80	
SA2	81	82	DACK0#
MCLK	83	84	
SA3	85	86	DACK5#
MDATA	87	88	
SA4	89	90	DACK6#
GND	91	92	
SA5	93	94	DACK7#
HSYNC	95	96	
SA6	97	98	SBHE#
VSYNC	99	100	
SA7	101	102	MEMR#
BLUE	103	104	
SA8	105	106	MEMW#
GREEN	107	108	
SA9	109	110	GND
RED	111	112	
SA10	113	114	MASTER#
GND	115	116	
SA11	117	118	MEMCS16#
	119	120	DENSEL



<b>Docking Station Connectors - Continued</b>			
SA12	121	122	IOCS16#
	123	124	
SA13	125	126	DRQ0
	127	128	
SA14	129	130	DRQ5
	131	132	
SA15	133	134	DRQ6
	135	136	
SA16	137	138	DRQ7
PWRCTL	139	140	
LA17	141	142	IRQ10
INDEX#	143	144	
LA18	145	146	IRQ11
DRV1#	147	148	
LA19	149	150	IRQ12
DSKCHG#	151	152	
LA20	153	154	IRQ14
MEDIA1	155	156	LA22
LA21	157	158	IRQ15
MTR1#	159	160	IOCHRDY
SLIN#	161	162	GND
DIR#	163	164	DCD
LA23	165	166	DSR
STEP#	167	168	SIN
IORD#	169	170	RTS
WDATA#	171	172	SOUT
IOWR#	173	174	CTS
WGATE#	175	176	DTR
	177	178	RI
TRK0#	179	180	DOCK_PWR

**Docking Station Connectors - Continued**

	181	182	DOCK_PWR
WPROT#	183	184	DOCK_PWR
SYSCLK	185	186	DOCK_PWR
RDATA#	187	188	DOCK_PWR
OSC	189	190	DOCK_PWR
	191	192	DOCK_PWR
T/C	193	194	DOCK_PWR
GND	195	196	DOCK_PWR
GND	197	198	GND
PWR_OFF	199	200	GND

# Index

## C

- Care and Handling, 3
- CD ROM Drives
  - Installation, 16 - 18

## D

- Docking Instructions, 5 - 7
- Disconnecting, 7
- Drive Bays, 9

## E

- Expansion Devices, 9 - 19

## F

- Floppy Disk Drives
  - Cable Connector, 12
  - Carriage, 5, 14
  - Installation, 11 - 14
  - I/O Connector Adapter, 12
  - Mounting Kit, 12
  - Power Cable Adapter, 12

## H

- Hard Disk Drives, 18 - 19

## I

- ISA
  - Bus slots, 9

## P

- Packing List, 1
- Peripherals, 8
- Power
  - Main Switch, 5
  - Powering Up, 5 - 7
  - Specifications, 2
  - Supply, 2

## S

- Shielding, 3
- Surge Protector, 2

## T

- Technical Specifications, 25
- Trouble Shooting, 21









