

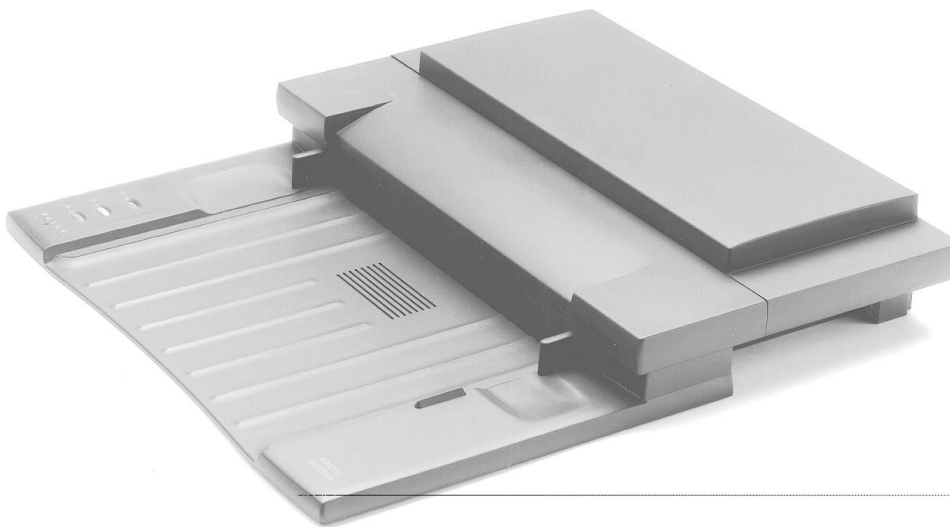
# HP OmniBook 5000/5500 Docking System

## Familiarization Guide

---

This guide is for experienced HP Response Center personnel, CEs, and reseller technicians, such as personnel who have already completed the HP Vectra PC family training course, or equivalent, and have at least six months of experience servicing the HP Vectra PCs.

It is a self-paced guide designed to train you to install, configure, and repair the OmniBook Notebook PC and/or Accessories. You can follow it without having any equipment available.



---

# Notice

In a continuing effort to improve the quality of our products, technical and environmental information in this document is subject to change without notice.

Last revision date: 09/13/96 4:56 PM

Hewlett-Packard makes no warranty of any kind with regard to this material, including, but not limited to, the implied warranties of merchantability and fitness for a particular purpose. Hewlett-Packard shall not be liable for errors contained herein or for incidental or consequential damages in connection with the furnishing, performance, or use of this material.

Hewlett-Packard assumes no responsibility for the use or reliability of its software on equipment that is not furnished by Hewlett-Packard.

As an ENERGY STAR partner, HP has determined that these products meet the ENERGY STAR guidelines for energy efficiency.

All Certifications may not be completed at product introduction. Please check with your HP reseller for certification status.

This equipment is subject to FCC rules. It will comply with the appropriate FCC rules before final delivery to the buyer.

ENERGY STAR is a service mark of the U.S. Environmental Protection Agency. IBM and OS/2 are registered trademarks of International Business Machines Corporation. Pentium and the Intel Inside logo are registered trademarks of Intel Corporation. Photo CD is a registered trademark of Kodak Corporation. Microsoft, MS-DOS, and Windows are registered trademarks, and the Genuine Microsoft Products logo is a trademark of Microsoft Corporation in the United States of America and in other countries. Sound Blaster is a trademark of Creative Technology Ltd.

© Hewlett-Packard Company 1996.

All Rights Reserved. Reproduction, adaptation, or translation without prior written permission is prohibited except as allowed under copyright laws.

Printed in U.S.A.

F1189-90008

---

# Table of Contents

Product Features.....	5
Description .....	5
Input/Output Connectors.....	5
Hot Docking.....	5
Expandability.....	5
Security.....	5
Controls.....	5
Dimensions .....	6
Power.....	6
Software.....	6
Environment.....	6
Warranty .....	6
Ordering Information .....	6
Notebook Hardware Structure.....	7
Field Replaceable Assemblies.....	7
Case Cover, Cover ISA, Leg Tilts, and Screw Cover (End User Replaceable).....	7
Case Top, Case Right, and Case Left (HP Authorized Support Providers Only).....	8
Arm Eject Lever, Case Deck Assembly, and Top Shield Assembly (HP Authorized Support Providers Only) .....	9
Docking Station PCA, Docking Mechanism Assembly, and Control PCA (HP Authorized Support Providers Only) .....	10
Troubleshooting and Repair.....	12
Appendix A: Part Numbers .....	13
Appendix B: Additional Resources.....	14

---

## Table of Figures

Figure 1 - Case Cover, Cover ISA, Leg Tilts, and Screw Cover .....	7
Figure 2 - Case Top, Case Right, and Case Left.....	8
Figure 3 - Arm Eject Lever, Case Deck Assembly, and Top Shield Assembly.....	9
Figure 4 - Docking Station PCA, Docking Mechanism Assembly, and Control PCA .....	10
Figure 5 - Control Harness Placement.....	11

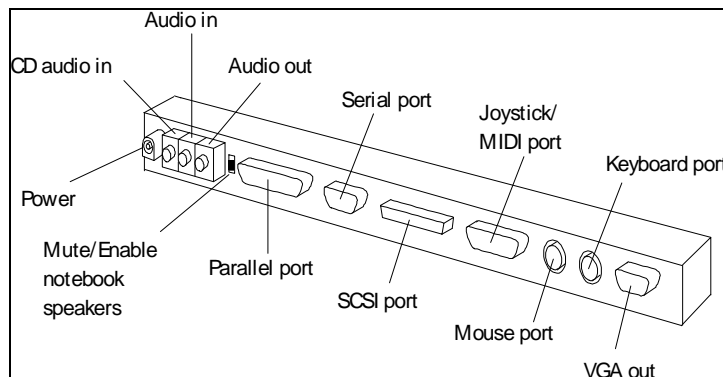
---

# Product Features

**Description** The docking system for the HP OmniBook 5000/5500 provides simple and convenient connectivity to your desktop peripherals. It lets you make a single-action connection to networks, monitors, keyboards, mice and other peripherals present at your desktop. A monitor stand and riser provide space-saving support for an external monitor. The riser lifts the unit above a standard keyboard offering easy access to the battery and floppy drive.

## Input/Output Connectors

- 9-pin, 115,000 b/s, RS-232 port
- 15-pin SVGA-out (up to 1024x768x256 colors)
- PS/2 keyboard port
- Headphone/stereo-out port
- MIDI/joystick port
- 25-pin bidirectional parallel port
- PS/2 mouse port
- Two stereo-in ports
- SCSI-2 port



**Hot Docking** Supported under docking-enabled operating systems such as Microsoft® Windows 95

**Expandability** 1 full-length ISA slots  
1 full-length PCI/ISA

**Security** Kensington lock slot  
Optional user-defined password to undock  
Secure interlock to OmniBook

**Controls** Power: turns your OmniBook on or off

---

	Reset: resets your OmniBook
	Mute/enable notebook speakers: controls OmniBook's built-in stereo speakers
	Undock: initiates undocking process
<b>Indicators</b>	Hard drive activity Power adapter attached Password active Floppy drive activity Unit docked
<b>Dimensions</b>	
Footprint:	45.7 x 43.7 x 8.4 cm (18.0 x 17.2 x 3.3 in)
With monitor stand and riser in place:	45.7 x 43.7 x 13.5 cm (18.0 x 17.2 x 5.3 in)
Weight:	
Docking System:	4.0 kg (8.8 lb)
Monitor Stand:	1.9 kg (4.1 lb)
Riser:	1.1 kg (2.4 lb)
Total:	7.0 kg (15.3 lb)
<b>Power</b>	AC adapter: 100 to 240 Vac, 60-watt
<b>Software</b>	No additional software is required for the OmniBook 5500 to take advantage of the docking system. Software is included with the Docking System for the OmniBook 5000.
<b>Environment</b>	
Operating temperature:	0 to 50°C (32 to 122°F)
Storage temperature:	0 to 65°C (32 to 149°F)
Operating and storage humidity:	90% relative humidity at 40°C (104°F) maximum
<b>Warranty</b>	1-year limited warranty
<b>Ordering Information</b>	F1189B docking system for the OmniBook 5000 (Includes a monitor stand and riser) F1140-60901 replacement AC adapter for F1189B docking system

---

# Notebook Hardware Structure

## Field Replaceable Assemblies

### Case Cover, Cover ISA, Leg Tilts, and Screw Cover (End User Replaceable)

Remove and/or replace the covers and Leg Tilts as indicated in Figure 1. Note, the Screw Cover will be destroyed and must be replaced.

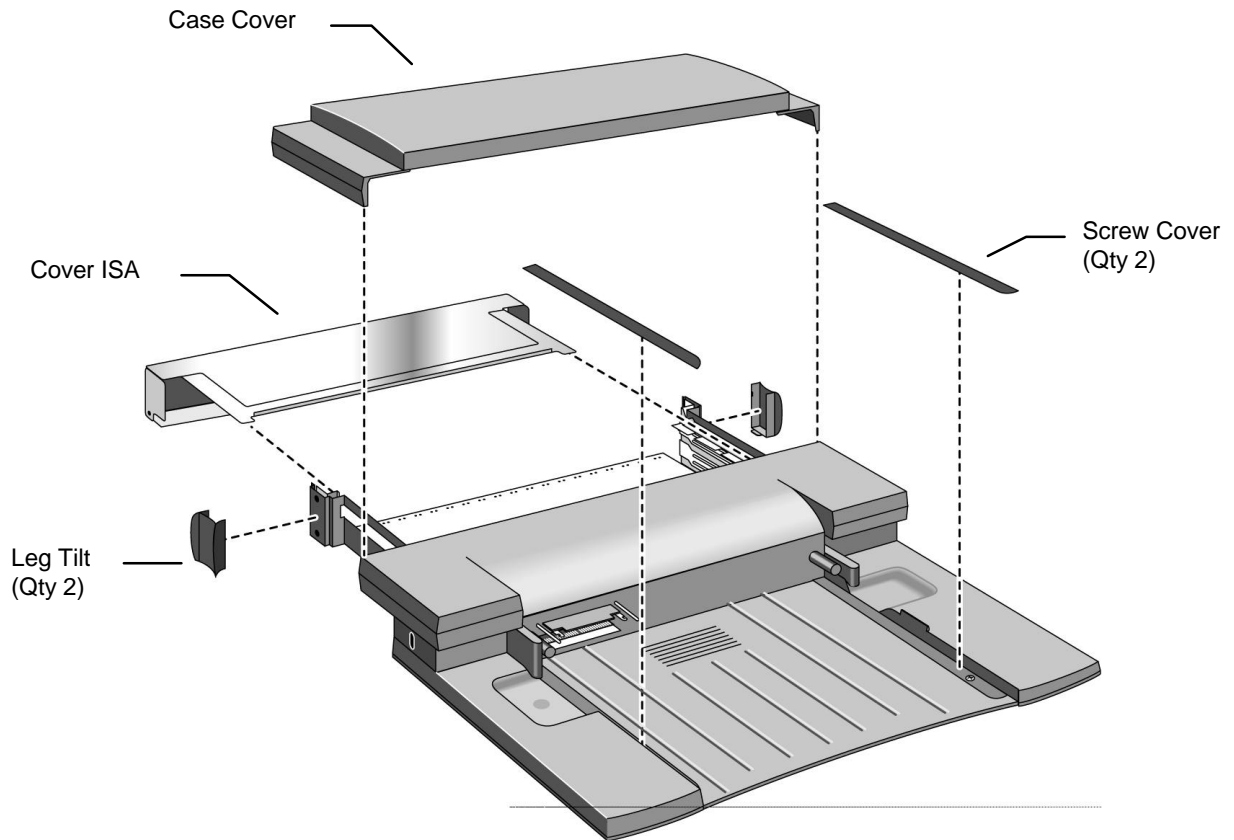


Figure 1 - Case Cover, Cover ISA, Leg Tilts, and Screw Cover

---

## Case Top, Case Right, and Case Left (HP Authorized Support Providers Only)

### Case Top:

1. Remove the three screws depicted in Figure 2.
2. Lift the Case Top up from the back, push in the front panel, and pull away towards the front.
3. Reverse the above steps to reassemble.

### Case Right and Left:

1. Remove the four screws for the Case Right and Case Left as depicted in Figure 2.
2. Lift the Case Right and Case Left away from the unit.
3. Reverse the above steps to reassemble.

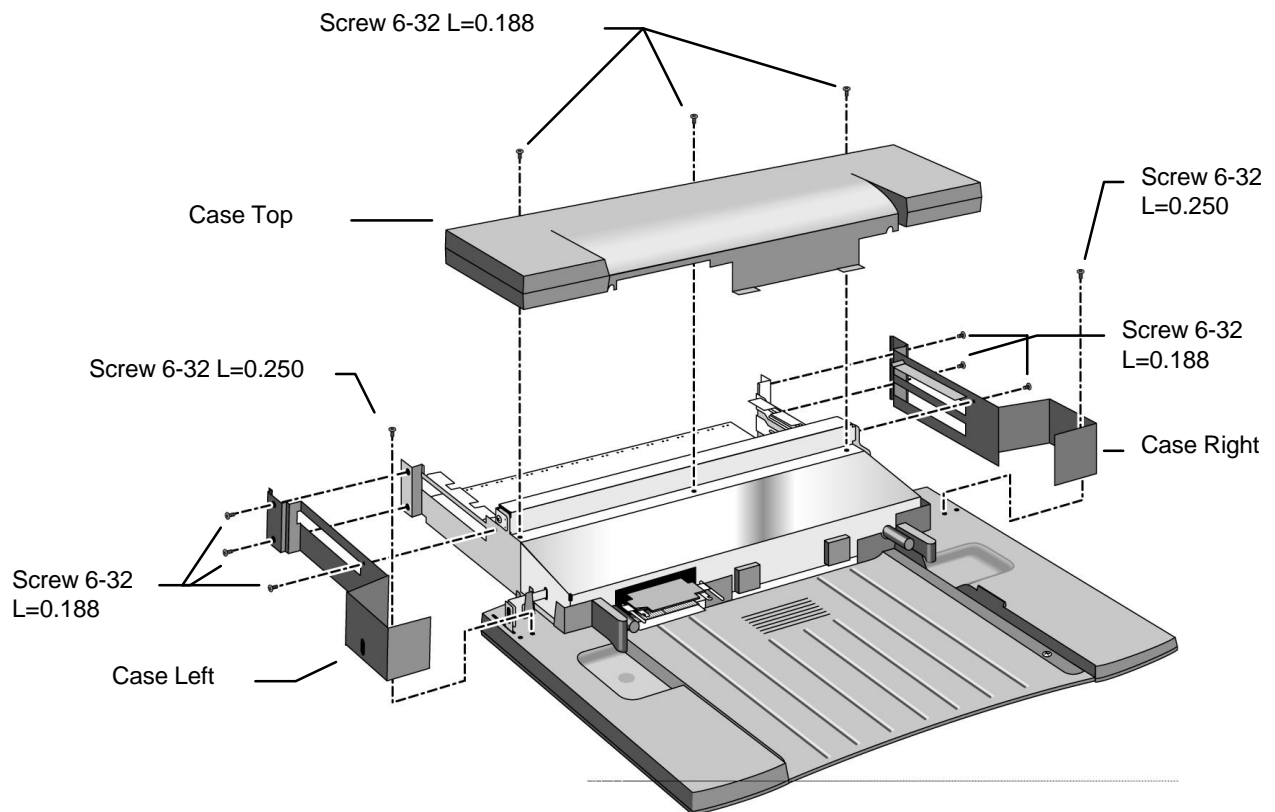


Figure 2 - Case Top, Case Right, and Case Left



---

## Arm Eject Lever, Case Deck Assembly, and Top Shield Assembly (HP Authorized Support Providers Only)

### Case Deck Assembly:

1. Remove the two screws shown in Figure 3.
2. Remove the Arm Eject Lever by gently pulling the front plastic guide forward and lifting the lever away to the left.
3. Reverse the above steps to reassemble.

### Top Shield Assembly:

1. Remove the four screws shown in Figure 3.
2. Slide the Top Shield Assembly forward to remove.
3. Reverse the above steps to reassemble.

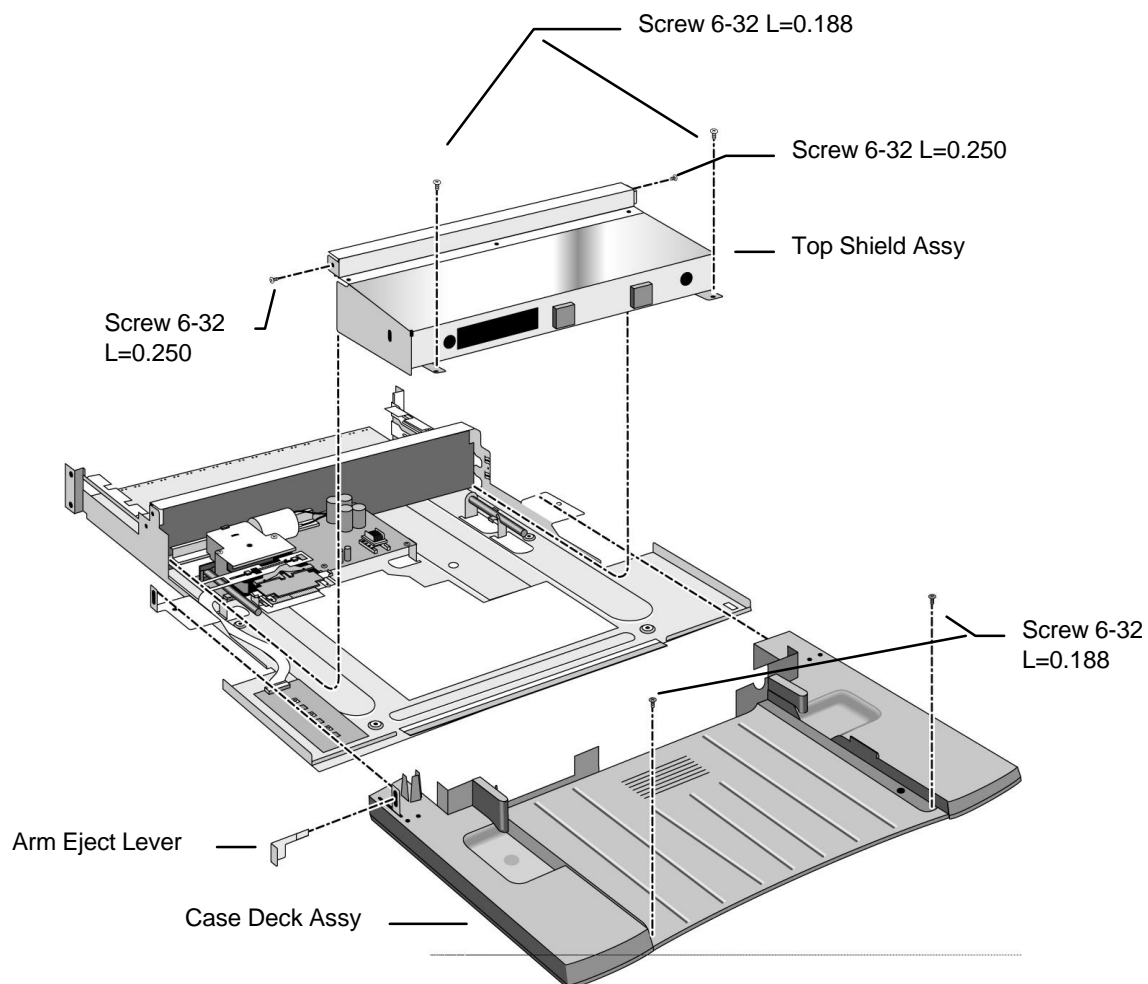


Figure 3 - Arm Eject Lever, Case Deck Assembly, and Top Shield Assembly

---

## Docking Station PCA, Docking Mechanism Assembly, and Control PCA

(HP Authorized Support Providers Only)

### Docking Station PCA:

1. Disconnect the Control Harness from the Docking Station PCA (see Figure 4).
2. Remove the two 6-32 L=0.188 screws from front corners of the Docking Station PCA (screws not shown in Figure 4).
3. Disconnect the cable connecting the Docking Mechanism Assy to the Docking System PCA.
4. Turn the Docking Station PCA over and remove the four screws from the bottom. This will free the Docking Mechanism Assembly.
5. The Control PCA simply lifts out at this point. **Refer to Figure 5 for proper placement of the Control Harness. Improper placement will crimp the harness and may result in loss of control button functionality.**
6. Reverse the above steps to reassemble.

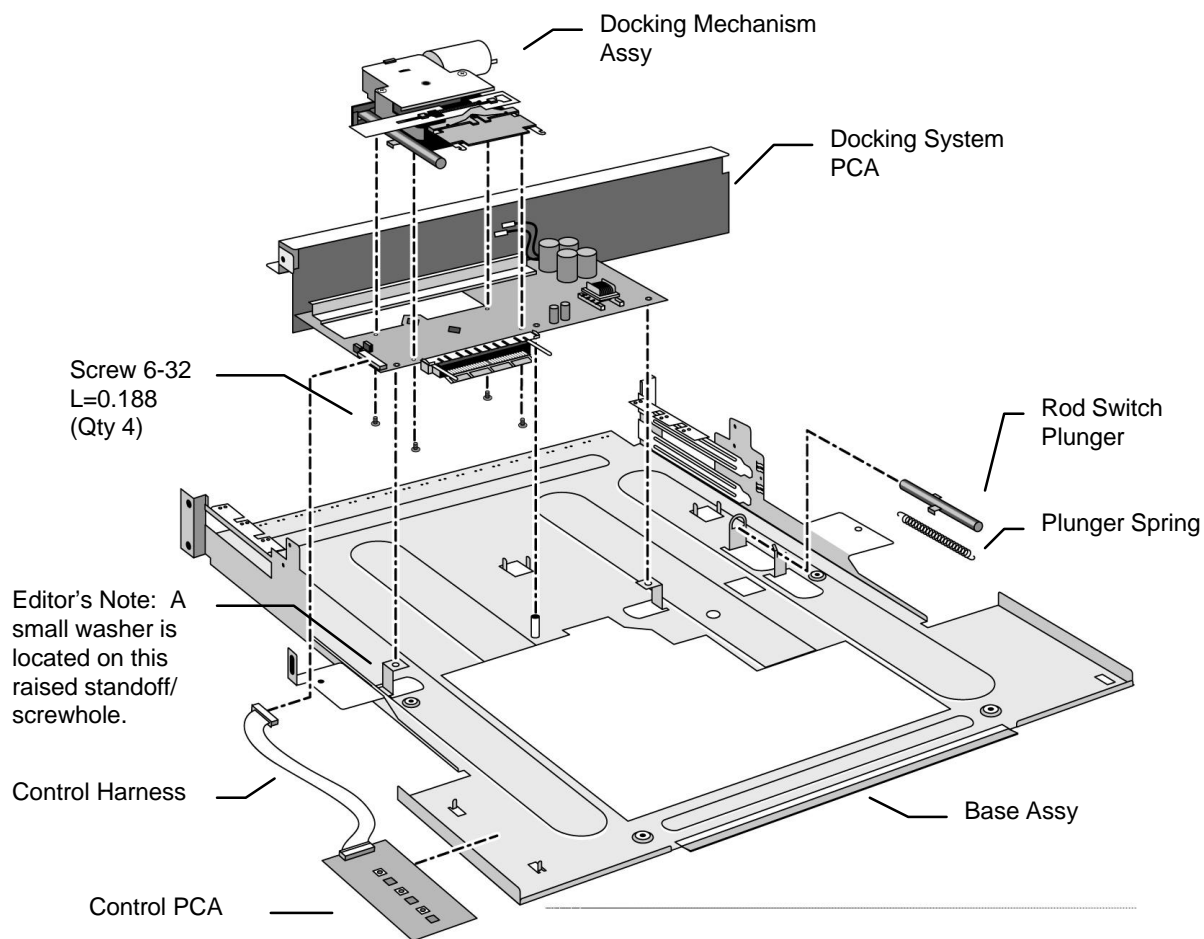


Figure 4 - Docking Station PCA, Docking Mechanism Assembly, and Control PCA

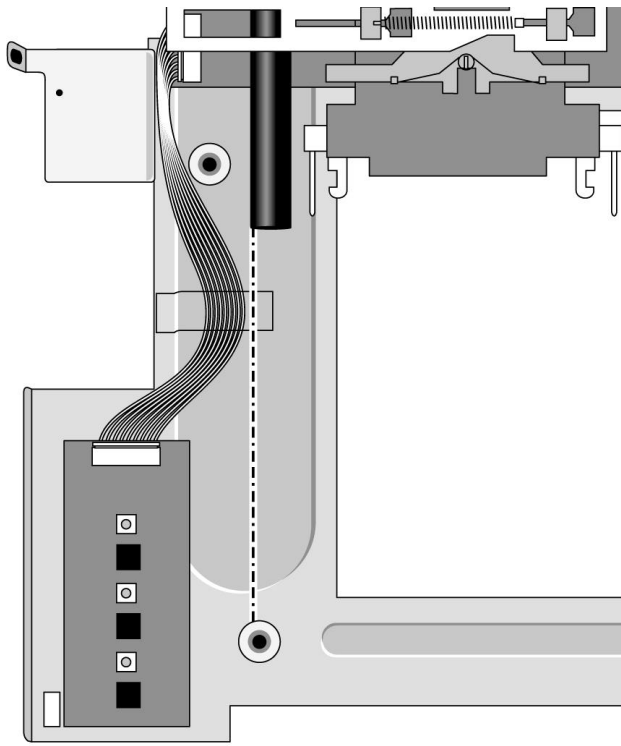


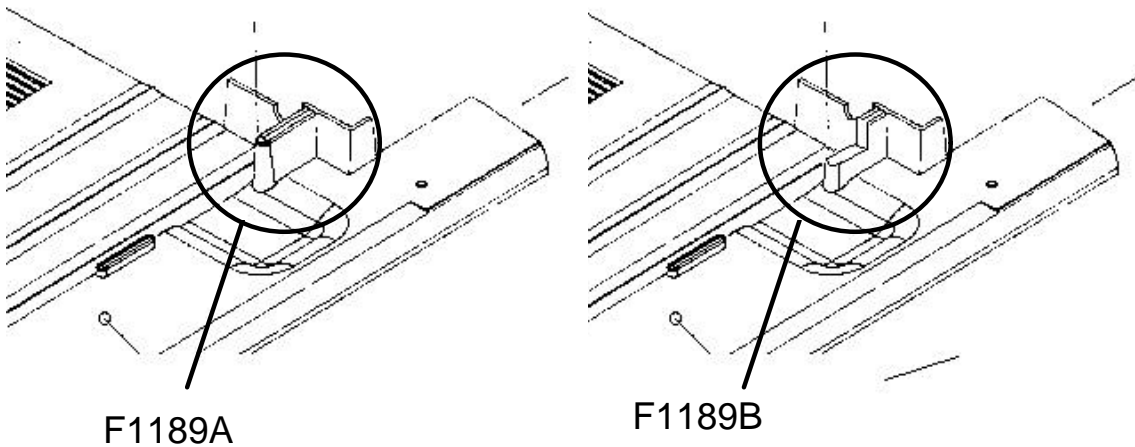
Figure 5 - Control Harness Placement

---

## Troubleshooting and Repair

- The floppy drive module F1195A will not work on the dock parallel port - only on the OmniBook parallel port.
- The OmniBook 5500 PCMCIA ports are not accessible when docked in the F1189A Docking System - use the F1189B.
- To update an F1189A to an F1189B, the Case Deck Assy must be replaced.

The PCMCIA slots on the OmniBook 5500 are positioned 7mm closer to the back of the computer than the OmniBook 5000. This difference causes a physical interference when adding/removing cards in the PCMCIA slots while docked in the F1189A (see diagram below). The update will accommodate the case deck assembly plastic change which eliminates this interference.



To update the Docking System, replace the Case Deck Assy, and the two Screw Covers..

Upon completion of the update, use a black permanent marker and an arrow and the letter "B" next to "F1098A." The regulatory label should appear as "**F1098A → B**" on the bottom of the product.

## Appendix A: Part Numbers

	Part Description	Part Number	Exchange Part Number
<b>PCA</b>			
	Docking System PCA	F1189-60901	F1189-69001
	Control PCA	F1189-60902	
<b>Mechanism</b>			
	Docking Mechanism Assy.	F1189-60903	
<b>Shielding</b>			
	Base Assy	F1189-60904	
	Top Shield Assy	F1189-60905	
	Cover ISA	F1189-60907	
<b>Plastic</b>			
	Rod Switch Plunger	F1189-60908	
	Case Deck Assy	F1189-60909	
	Case Right	F1189-60910	
	Case Left	F1189-60911	
	Case Cover	F1189-60912	
	Case Top	F1189-60913	
	Leg Tilt	F1189-60914	
	Keyboard Riser	F1189-60915	
	Monitor Stand	F1189-60916	
<b>Screws</b>			
	Screw M2.5x.45 L=6	F1189-60917	
	Screw 6-32 L=0.188	F1189-60918	
	Screw 6-32 L=0.250	F1189-60919	
<b>Misc</b>			
	Control Harness	F1189-60921	
	Screw Cover	F1189-60922	
	Plunger Spring	F1189-60923	
	Arm Reject Lever	F1189-60924	
	Spacer Foam	F1189-60925	
	Rubber Foot 20x2.0	F1189-60926	
	Rubber Foot 22x4.2	F1189-60927	
	Rubber Foot 15x2.5	F1189-60920	
	I/O Panel Label	F1189-60928	
	AC/DC Adapter	F1140-60901	

---

## Appendix B: Additional Resources

The following table contains resources for additional product related information.

Resource	Number/Address	Comments
HP External Web	<a href="http://hpcc998.external.hp.com/mcd/">http://hpcc998.external.hp.com/mcd/</a>	No usage restriction
HP-MCD Internal Web	<a href="http://webmcd.cv.hp.com">http://webmcd.cv.hp.com</a>	Restricted to HP internet access only
HP MCD Service Engineer	<a href="mailto:svc-eng_mcd@om.cv.hp.com">svc-eng_mcd@om.cv.hp.com</a>	Email address for service related questions and issues