

EPSON®

ActionPort™, Replicator

User's Guide

FCC COMPLIANCE STATEMENT FOR AMERICAN USERS

This equipment has been tested and found to comply with the limits for a class B digital device, pursuant to Part 15 of the FCC Rules. These limits are designed to provide reasonable protection against harmful interference in a residential installation. This equipment generates, uses, and can radiate radio frequency energy and, if not installed and used in accordance with the instructions, may cause harmful interference to radio and television reception. However, there is no guarantee that interference will not occur in a particular installation. If this equipment does cause interference to radio and television reception, which can be determined by turning the equipment off and on, the user is encouraged to try to correct the interference by one or more of the following measures:

- Reorient or relocate the receiving antenna
- Increase the separation between the equipment and receiver
- Connect the equipment into an outlet on a circuit different from that to which the receiver is connected
- Consult an experienced radio/ TV technician for help.

WARNING

The connection of a non-shielded equipment interface cable to this equipment will invalidate the FCC Certification of this device and may cause interference levels that exceed the limits established by the FCC for this equipment. It is the responsibility of the user to obtain and use a shielded equipment interface cable with this device. If this equipment has more than one interface connector, do not leave cables connected to unused interfaces.

Changes or modifications not expressly approved by the manufacturer could void the user's authority to operate the equipment.

FOR CANADIAN USERS

This digital apparatus does not exceed the Class B limits for radio noise emissions from digital apparatus as set out in the radio interference regulations of the Canadian Department of Communications.

Le présent appareil numérique n'émet pas de bruits radioélectriques dépassant les limites applicables aux appareils numériques de Classe B prescrites dans le règlement sur le brouillage radioélectrique édicté par le Ministère des Communications du Canada.

**IMPORTANT NOTICE
DISCLAIMER OF WARRANTY**

Epson America makes no representations or warranties, either express or implied, by or with respect to anything in this manual, and shall not be liable for any implied warranties of merchantability and fitness for a particular purpose or for any indirect, special, or consequential damages. Some states do not allow the exclusion of incidental or consequential damages, so this exclusion may not apply to you.

COPYRIGHT NOTICE

All rights reserved. No part of this publication may be reproduced, stored in a retrieval system, or transmitted, in any form or by any means, electronic, mechanical, photocopying, recording, or otherwise, without the prior written permission of Epson America, Inc. No patent liability is assumed with respect to the use of information contained herein. Nor is any liability assumed for damages resulting from the use of the information contained herein. Further, this publication and features described herein are subject to change without notice.

TRADEMARKS

EPSON is a registered trademark of Seiko Epson Corporation

ActionNote and ActionPort are trademarks of Epson America, Inc.

EPSON Connection and EPSON Direct are service marks of Epson America, Inc.

General notice: Other product names used herein are for identification purposes only and may be trademarks of their respective owners. EPSON disclaims any and all rights in those marks.

Printed in Taiwan

Contents

Introduction	1
Identifying ActionPort Replicator Ports	2
Connecting the ActionPort Replicator to the Computer.	3
Connecting the AC Adapter	4
Removing the ActionPort Replicator from the Computer	5
Using the ActionPort Replicator	6
Using an External Keyboard or Mouse	6
Installing a PC Card	7
Specifications	7
Interfaces	7
Physical Dimensions	8

Introduction

The EPSON® ActionPort™ Replicator makes it easy for you to connect your monitor, printer, and other devices to your ActionNote™ 800 series notebook computer. When you need to take the computer away from your desk, the ActionPort Replicator stays connected to your office peripherals. You only have to reconnect the replicator when you return.

The ActionPort Replicator also increases the capabilities of your ActionNote by providing additional ports. The replicator includes the following connectors:

- Video connector supporting modes up to 1024 x 768 in 16 colors
- Two serial ports
- Bi-directional parallel port
- Game port
- Audio-out (with volume control knob)
- PS/2® mouse port
- PS/2 keyboard port
- Two stacked PC card slots: one Type II and one Type III (also accommodates one oversized PC card)
- DC-in port.

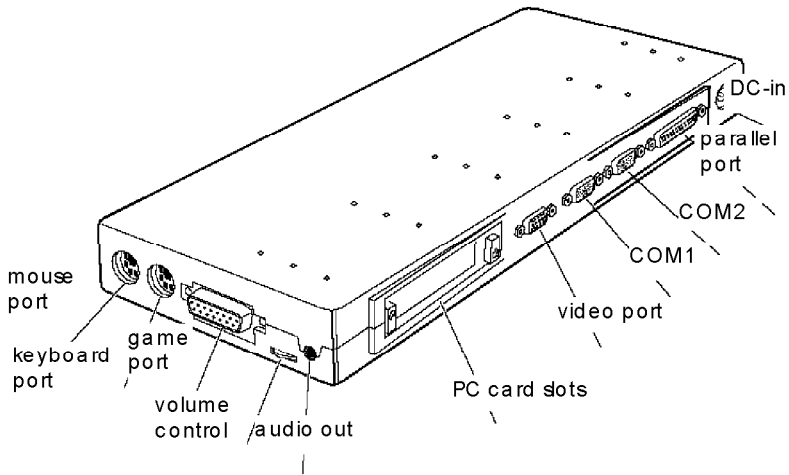
If the audio card is installed, the audio-in, audio-out, and microphone ports on your ActionNote are operable when the replicator is connected. The PC card slots on the computer are also operable, which allows you to use up to four PC cards at the same time.

However, the other corresponding connectors on your computer are disabled or inaccessible when you use the ActionPort Replicator.

The ActionPort Replicator comes with its own AC adapter and power cord. Make sure you use this adapter when you operate your ActionNote with the replicator.

Identifying ActionPort Replicator Ports

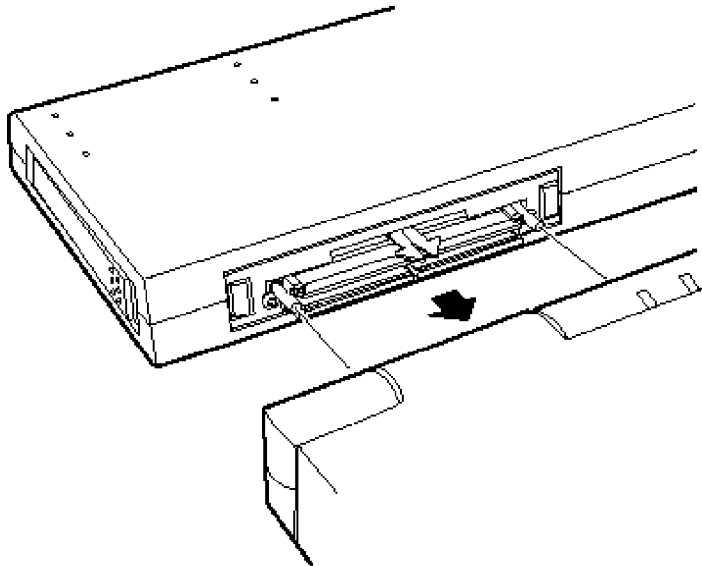
Before you connect the replicator to your computer and peripherals, use the following illustration to locate the ports on the replicator:



Connecting the ActionPort Replicator to the Computer

Follow these steps to connect the replicator to your ActionNote:

1. Make sure the computer is turned off.
2. Open the port cover on the back of the ActionNote.
3. Position the replicator next to the replicator port as shown, aligning the connectors on the replicator with the holes in the port.

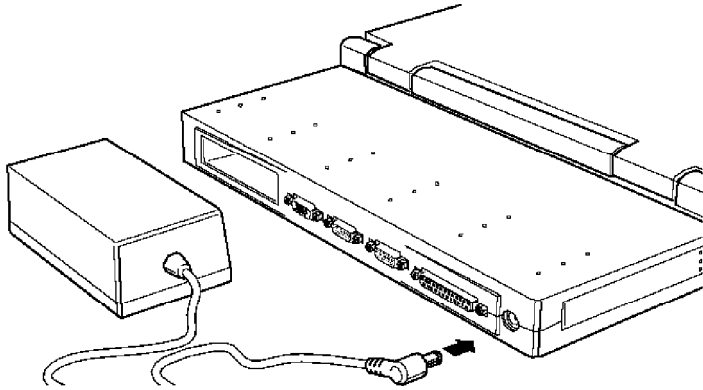


4. Push the replicator into the port connector until it snaps into place.

Connecting the AC Adapter

Make sure you use the international AC adapter (A882101) that was included in your ActionPort Replicator package. Follow these steps:

1. Connect the AC adapter cable to the DC-in port on the replicator.



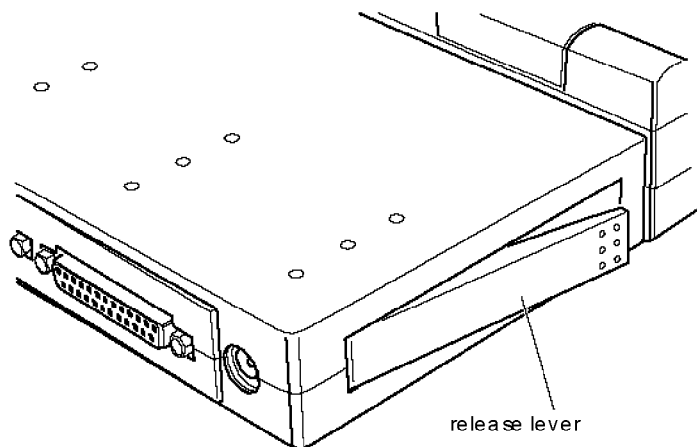
2. Connect the power cable to the AC adapter.
3. Connect the other end of the power cable to a grounded electrical outlet.

Removing the ActionPort Replicator from the Computer

When you are ready to take your ActionNote on the road, you can leave the AC adapter and your printer, monitor, and other components connected to the replicator.

Follow these steps to disconnect the replicator from the computer:

1. Make sure the computer and external components are turned off.
2. Pull out the lever on the side of the replicator to release it from the computer.



3. Separate the computer and the replicator.
4. Close the port cover on the ActionNote to protect the connector.

Using the ActionPort Replicator

You use the ports on the replicator in the same way as the ports on your ActionNote. Follow these steps to connect external peripherals:

1. Make sure that both the computer and external device are turned off.
2. Connect the device to the appropriate port.
3. If the connector has retaining screws, tighten them.

Refer to Chapter 4 in your *ActionNote 800 Series User's Guide* for more information on connecting external devices.

Note

If you install the optional internal fax/modem in your ActionNote, you will not be able to use the COM2 serial port on the replicator. You can disable the fax/modem through the Setup program if you want to use the second serial port.

Using an External Keyboard or Mouse

The ActionPort Replicator has both a PS/2 mouse port and a PS/2 keyboard port. Although the ports are physically identical, they cannot be used interchangeably. Be sure to use the correct port.

Installing a PC Card

To install a PC card in one of the slots, follow the instructions in Chapter 4 of your *ActionNote 800 Series User's Guide*. Your system configures most PC cards automatically.

The upper slot on the replicator is slot 2 and the lower slot is slot 3. Use the CardView™ software installed on your ActionNote to monitor PC card usage and reconfigure your cards or system resources if necessary.

Specifications

Interfaces

<i>Parallel</i>	Centronics® compatible; 25-pin, D-sub, female connector; standard 8-bit parallel; supports standard (AT compatible) and bi-directional (PS/2 compatible) modes
<i>Serial</i>	Two RS-232C, programmable, asynchronous, 9-pin, D-sub male connectors
<i>Video</i>	Auto-sensing, 15-pin, D-sub, female connector for analog monitor
<i>PCMCIA slots</i>	Accept two Type 1 or II cards, or one Type I or II and one Type III; PCMCIA version 2.01 and JEIDA 4.1 compatible
<i>Mouse</i>	Auto-sensing, 6-pin, mini-DIN connector for a PS/2-type pointing device

Keyboard	Auto-sensing, 6-pin, mini-DIN connector for a PS/2-type external keyboard or keypad
Game port	15-pin, D-shell connector for joystick or other game controller
Volume control	Knob adjusts sound from audio output port on replicator
Audio output	Connector for external speakers or headphones when optional audio card is installed in computer

Physical Dimensions

Width	11.5 in. (292 mm)
Depth	4.3 in. (110 mm)
Height	1.2 in. (29 mm)
Weight	1.3 lb (577 g)

Epson America (USA)

Epson America, Inc.
20770 Madrona Avenue
Torrance, CA 90509-2842
Tel: (310) 782-0770
Fax: (310) 782-5051

EPSON Connection
Tel: (800) 922-8911 (in U.S.)
(800) GO-EPSON (in Canada)

EPSON DirectSM
P.O. Box 2858
20770 Madrona Avenue
Torrance, CA 90509-1111
Computer system sales:
Tel: (800) 374-7300
(310) 782-5478
Fax: (310) 782-4455

Epson America (International)

Epson Latin America
Miami, FL, USA
Tel: (305) 265-0092
Fax: (305) 265-0097

Epson Argentina, S.A.
Buenos Aires, Argentina
Tel: (541) 322-6898
Fax: (541) 322-9725

Epson Chile, S.A.
Santiago, Chile
Tel: (562) 232-8966
Fax: (562) 233-3197

Epson Costa Rica, S.A.
San Jose, Costa Rica
Tel: (506) 234-6666
Fax: (506) 225-5709

Epson Mexico, S.A. De C.V.
Mexico, D.F., Mexico
Tel: (525) 395-9944
Hot line: (91800) 50326
Fax: (525) 395-9499

Epson Do Brasil
São Paulo, SP Brazil
Tel: (5511) 813-3044
Fax: (5511) 210-9290

Epson Venezuela, S.A.
Caracas, Venezuela
Tel: (582) 241-0433
Fax: (582) 241-4561

Epson Canada Limited
Willowdale, Ontario, Canada
Tel: (416) 498-9955
Fax: (416) 498-4574

EPSON International Marketing locations

Epson Deutschland GmbH
Zülpicher Straße 6,
40549 Dusseldorf 11
Germany
Phone: (49) (211) 56030
Fax: (49) (211) 504-7787

Epson Iberica, S.A.
Avda. de Roma 18-26
08290 Cerdanyola del valles
Barcelona, Spain
Phone: (34) (3) 582-1500
Fax: (34) (3) 582-1555
Telex: 50129

Epson Hong Kong Ltd.
Rooms 4706-10, 47th Floor,
China Resources Building,
26 Harbour Road
Wanchai, Hong Kong
Phone: (852) 585-4600
Fax: (852) 827-4346
Telex: 65542 EPSCO HX

Epson Electronics Trading Ltd.
Taiwan Branch
10F, No. 287, Nanking E. Road,
Sec. 3, Taipei, Taiwan R.O.C.
Phone: 886-2-717-7360
Free phone: 886-080-211172
Fax: 886-2-712-9164
Telex: 785-24444

Epson (U.K.) Ltd.
Business Management Dept. (PC)
Campus 100, Maylands Avenue
Hemel Hempstead, Herfordshire,
HP2 7EX, UK
Phone: (44) (442) 227-355
Free phone: linkline 0800 289622
Fax: (44) (442) 227-427
Telex: 51-824767

Epson France S.A.
B.P. 320, 68 Bis Rue Marjolin
92305 Levallois-Perret
Cedex, France
Phone: (33) (1) 4087-3737
Telex: (42) 610657
Fax: (33) (1) 4737-2240

Epson Italia s.p.a.
V.le F.lli Casiraghi, 427
20099 Sesto, S. Giovanni
Milano, Italy
Phone: (39) (2) 26233
Fax: (39) (2) 244-0750
Telex: 315132

Epson Australia Pty. Ltd.
1/70 Gibbes Street
Chatswood 2067 NSW
Australia
Phone: (61) (2) 415-9000
Fax: (61) (2) 417-0077
Telex: 71-75052

Epson Singapore Pte. Ltd.
No. 1 Raffles Place #26-00,
Oub Centre, Singapore 0104
Phone: (65) 533-0477
Fax: (65) 533-8119
Telex: 87-39536

Distributors

South America

SISCO

São Paulo, SP Brazil
Tel: (5511) 549-4846
Fax: (5511) 549-4571

McSilver, S.A.

Bogota, Colombia
Tel: (571) 270-4303
Fax: (571) 230-9205

C.I.L.D.S.E.

Quito, Ecuador
Tel: (593) 2-54-3418
Fax: (593) 2-55-4780

A.J. Vierci & CIA

Asuncion, Paraguay
Tel: (595) (21) 449-220
Fax: (595) (21) 606-514

Infocenter

Asuncion, Paraguay
Tel: (595) 21-49-862
Fax: (595) 214-49514

Peru Mercantil, S.A.

Lima, Peru
Tel: (5114) 62-2566
Fax: (5114) 61-8256

Siser Ltda.

La Paz, Bolivia
Tel: (591-2) 34-32-45
Fax: (591-2) 35-92-68

Merisel Colombia

Bogota, Colombia
Tel: (571) 257-7800
Fax: (571) 610-0674

Ace Computers & Electronics

Georgetown, Guyana
Tel: (592) 25-65-48
Fax: (592) 26-39-67

Alvimer S.R.L. Trading Inc.

Ciudad Del Este, Paraguay
Tel: (595) 61-60234
Fax: (595) 61-64573

Control De Procesos Informaticos

Lima, Peru
Tel: (5114) 42-3973
Fax: (5114) 35-5017

Interfase S.A.

Montevideo, Uruguay
Tel: (598) (2) 49-4600
Fax: (598) (2) 49-3040

Caribbean

Caribbean Computer Systems, Ltd.
Bridgetown, Barbados
Tel: (809) 429-7050
Fax: (809) 429-6509

Da Costas Limited
Bridgetown, Barbados
Tel: (809) 427-5854
Fax: (809) 436-9870

Computer Business Systems
Kingston, Jamaica
Tel: (809) 925-8600
Fax: (809) 925-8115

WTG/APTEC Systems Limited
Kingston, Jamaica
Tel: (809) 929-9250
Fax: (809) 929-8296

Boolchand Pessomal N.V.
Curacao, Netherlands Antilles
Tel: (599) 961-2262
Fax: (599) 961-4345

Computer Gallery
Hato Rey, Puerto Rico
Tel: (809) 753-0500
Fax: (809) 753-0552

Micro International, S.A.
Santo Domingo, Republica Dominicana
Tel: (809) 535-8110
Fax: (809) 535-3218

IMCON Limited
Castries, St. Lucia, West Indies
Tel: (809) 452-6130
Fax: (809) 452-3883

Complete Computer Systems
Port-of-Spain, Trinidad
Tel: (809) 625-1204
Fax: (809) 623-5426

Central America

Equipos Electronicos Valdez y Cia
San Salvador, El Salvador
Tel: (503) 23-73-43
Fax: (503) 24-53-82

PS2000
Guatemala, Guatemala
Tel: (502-2) 31-1129
Fax: (502-2) 31-2449

Servicio Integral De Computacion, S.A.
Guatemala, Guatemala
Tel: (502-2) 31-11-70
Fax: (502-2) 32-52-22

CODASA
Tegucigalpa, Honduras
Tel: (504) 33-5685
Fax: (504) 58-0255

Micro-Tee
Managua, Nicaragua
Tel: (505-2) 66-27-15
Fax: (505-2) 66-27-58

Sonitel, C. A.
Panama, Republica De Panama
Tel: (507) 63-98-00
Fax: (507) 63-98-15

