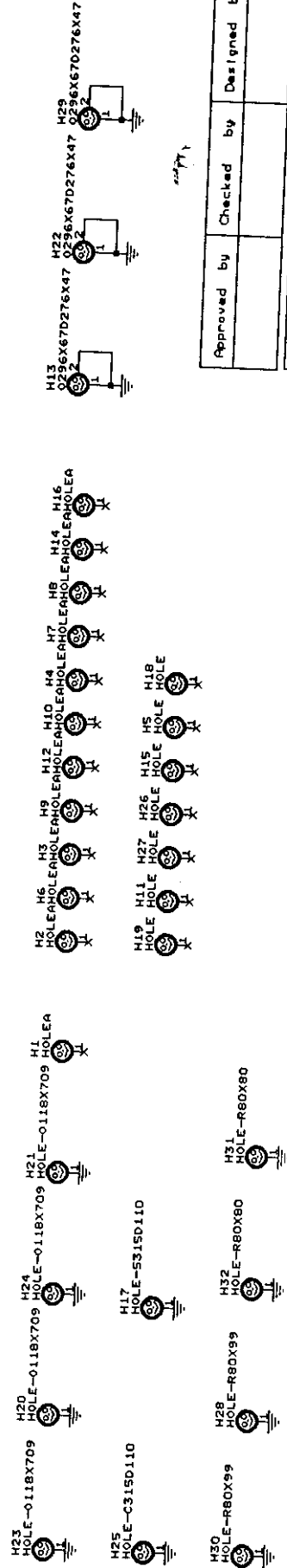


# PROJECT MIRAGE-2000

## PAGE DESCRIPTION

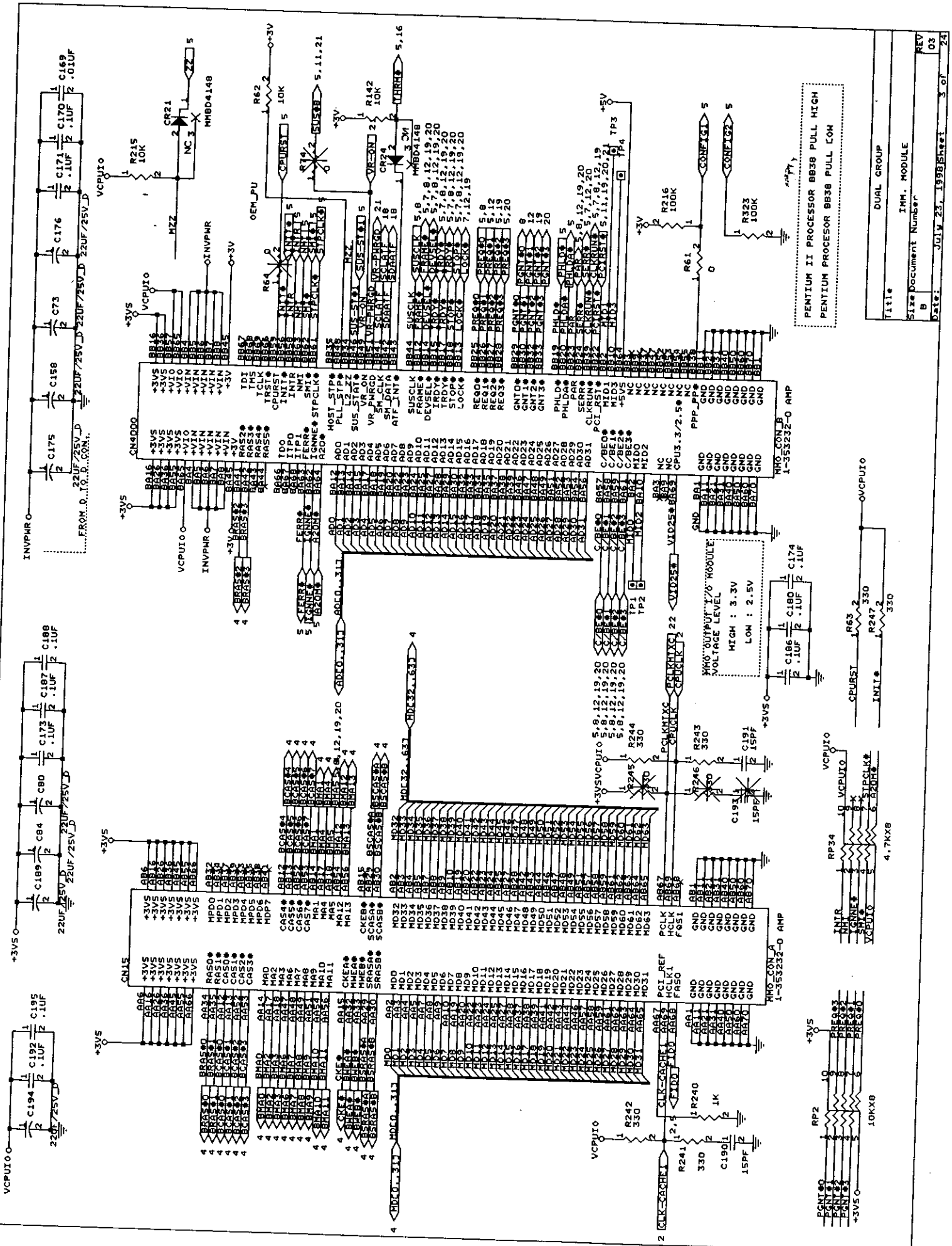
PAGE 1	THIS PAGE
PAGE 2	CLK GENERATOR, D/D & CHARGER CONNECTOR
PAGE 3	INTEL MOBILE MODULE (IMM)
PAGE 4	144 PIN SO-DIMM
PAGE 5	PCI SOUTH BRIDGE -- PIIX4(PIIX4E)
PAGE 6	HDD CONN, CD-ROM & DVD-ROM SWAP BAY, FDD & LS-120 SWAP BAY
PAGE 7	SYSTEM DAMPING, PULL-UP & PULL-LOW RESISTORS
PAGE 8	NEO-MAGIC NMG4-2160 VGA CONTROLLER
PAGE 9	LCD INTERFACE (LVDS) & INVERTER CONN.
PAGE 10	CRT RC FILTER & DIGITAL TV ENCODER CH7003/4
PAGE 11	VIDEO IN & ZV PORT SWITCH
PAGE 12	PCMCIA (1) -- 02-6833 CARDBUS CONTROLLER
PAGE 13	PCMCIA (2) -- CARD POWER CONTROLLER MIC2563A & CARD SOCKETS
PAGE 14	NS97338 SUPER I/O
PAGE 15	SERIAL, PARALLEL, PS2 PORT
PAGE 16	K/B CONTROLLER M38867
PAGE 17	MICRO PROCESSOR
PAGE 18	SYSTEM BIOS, 80 PORT & MSC.
PAGE 19	PCI AUDIO MAESTRO-2
PAGE 20	PCI AUDIO MAESTRO-2
PAGE 21	DVD, MODEM, REPLICATOR CONN.
PAGE 22	POWER GOOD & SUSPEND LOGIC & MSC.
PAGE 23	IR MODULE
PAGE 24	USB, BATTERY CONN., BYPASS CAPS

LINK  
 !MAR-02.SCH  
 !MAR-03.SCH  
 !MAR-04.SCH  
 !MAR-05.SCH  
 !MAR-06.SCH  
 !MAR-07.SCH  
 !MAR-08.SCH  
 !MAR-09.SCH  
 !MAR-10.SCH  
 !MAR-11.SCH  
 !MAR-12.SCH  
 !MAR-13.SCH  
 !MAR-14.SCH  
 !MAR-15.SCH  
 !MAR-16.SCH  
 !MAR-17.SCH  
 !MAR-18.SCH  
 !MAR-19.SCH  
 !MAR-20.SCH  
 !MAR-21.SCH  
 !MAR-22.SCH  
 !MAR-23.SCH  
 !MAR-24.SCH



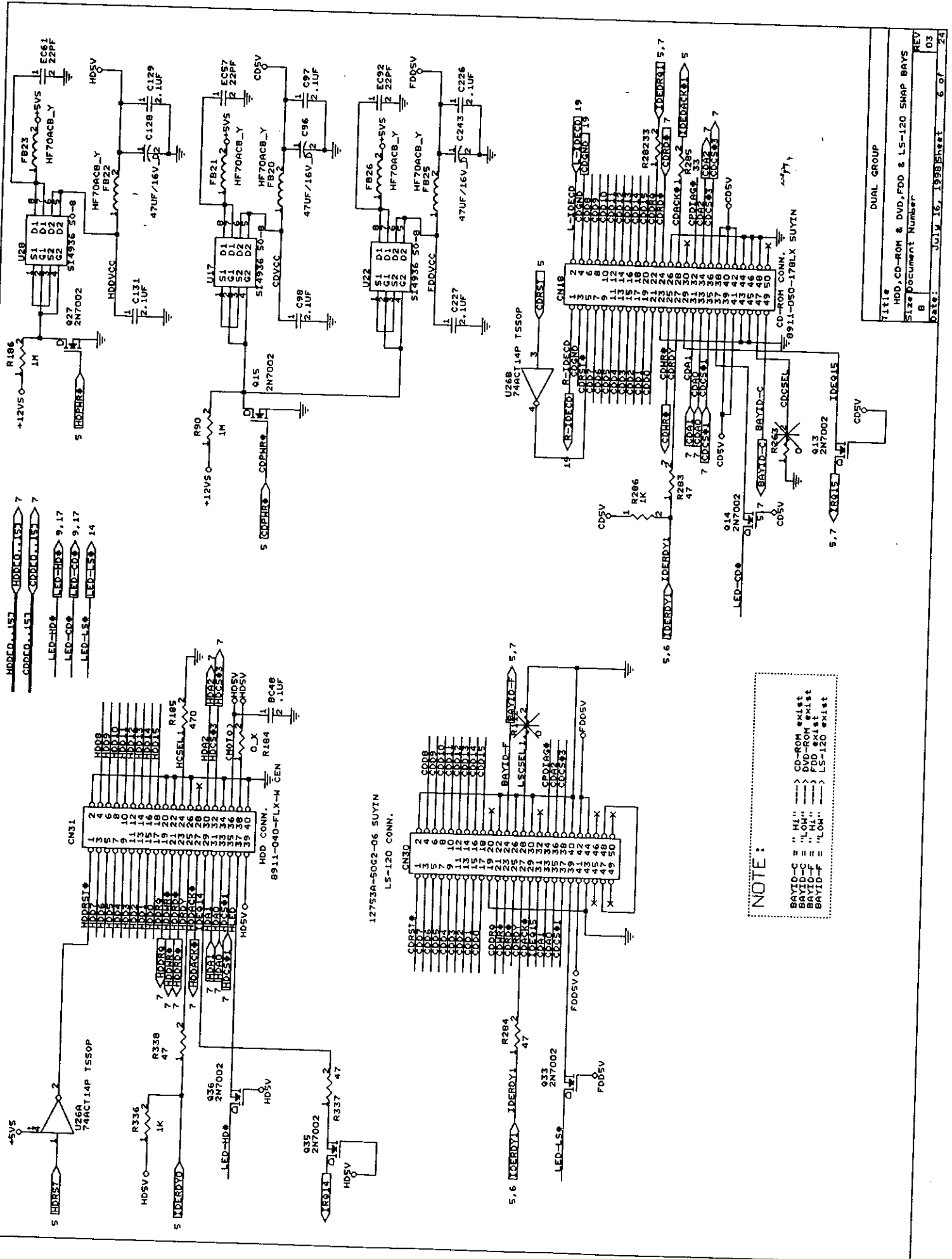
Approved by	Checked by	Designed by
Title		
PAGE DESCRIPTION		
Size Document Number		
Date:	August 24, 1998	Sheet 1 of 24











NOTE:

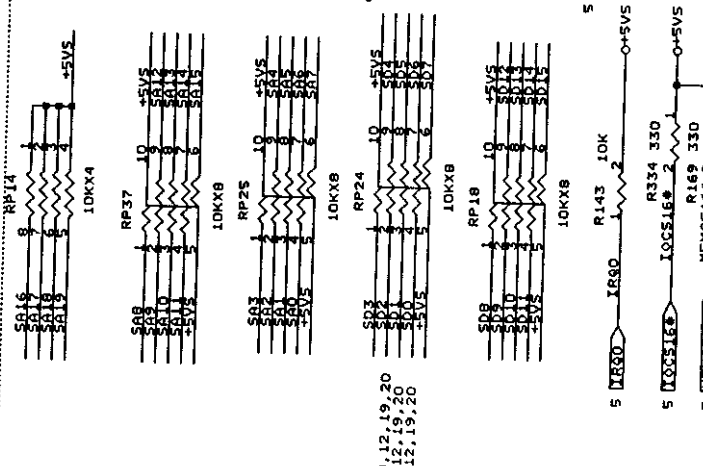
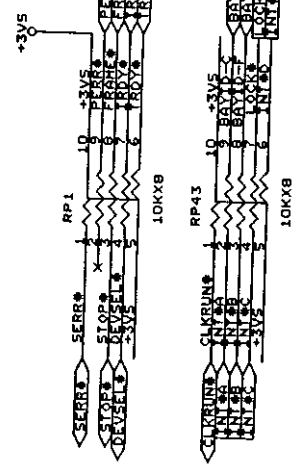
- BAYID-C = "HI" → CD-ROM exist
- BAYID-C = "LOH" → DVD-ROM exist
- BAYID-F = "LOH" → FDD exist
- BAYID-F = "LOH" → LS-120 exist

Title		HDD, CD-ROM & DVD, FDD & LS-120 SNAP BAYS	
Size		Document Number	
REV	B	REV	03
Date:	JULY 16, 1998	Sheet	6 of 24

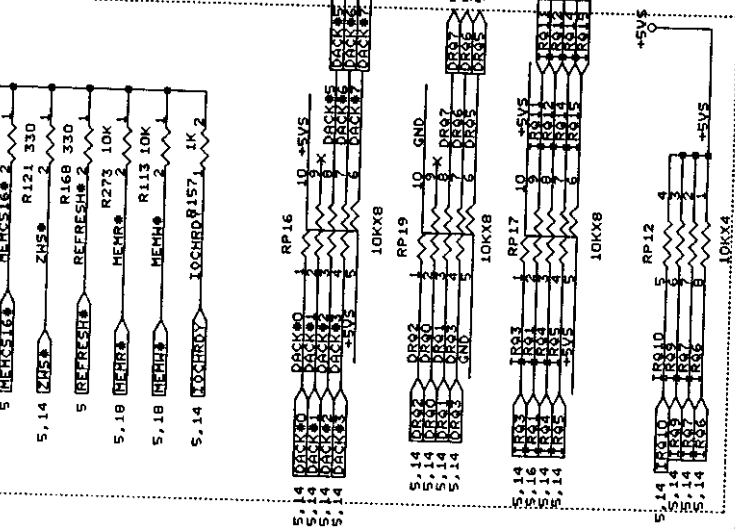
DUAL GROUP

SDPCO..157  
SDPCO..191  
SDPCO..197  
SDPCO..199

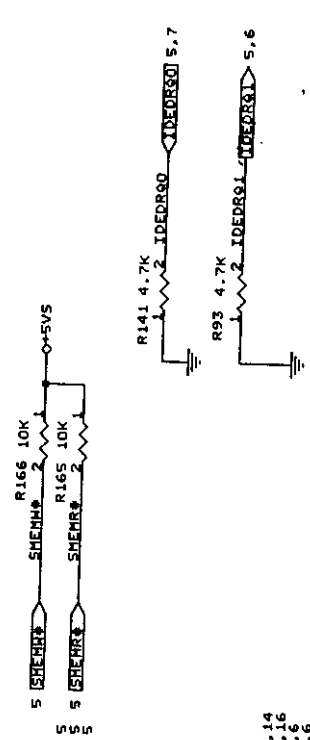
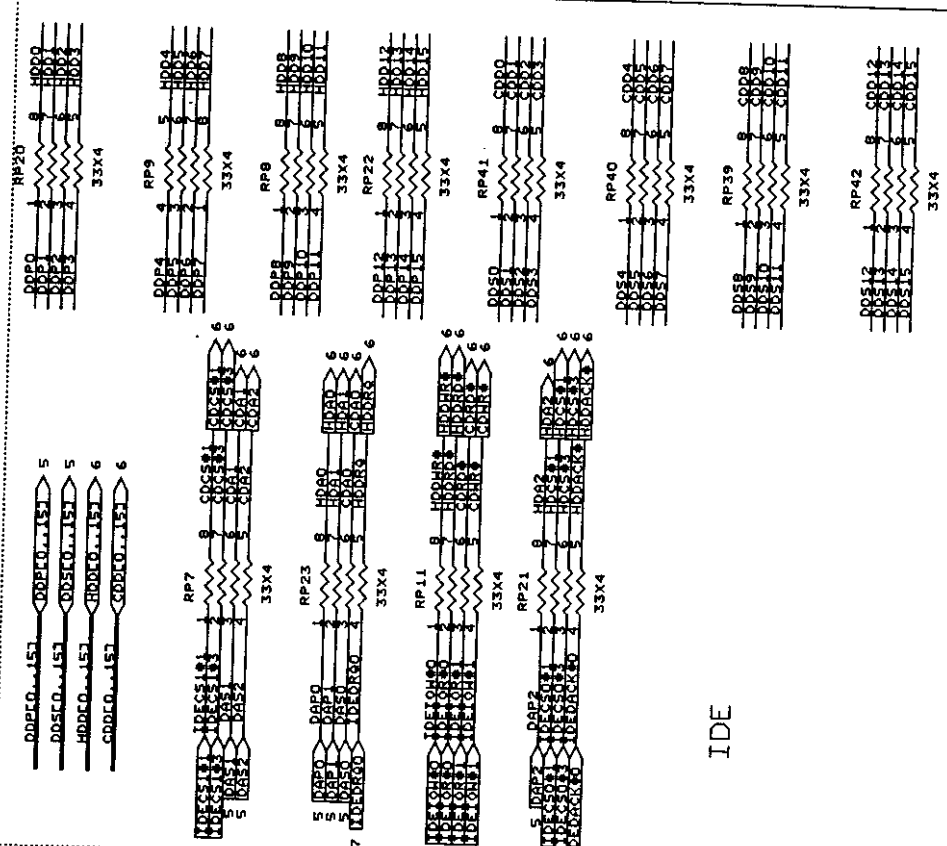
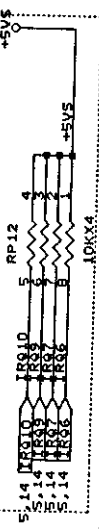
PCI



IDE



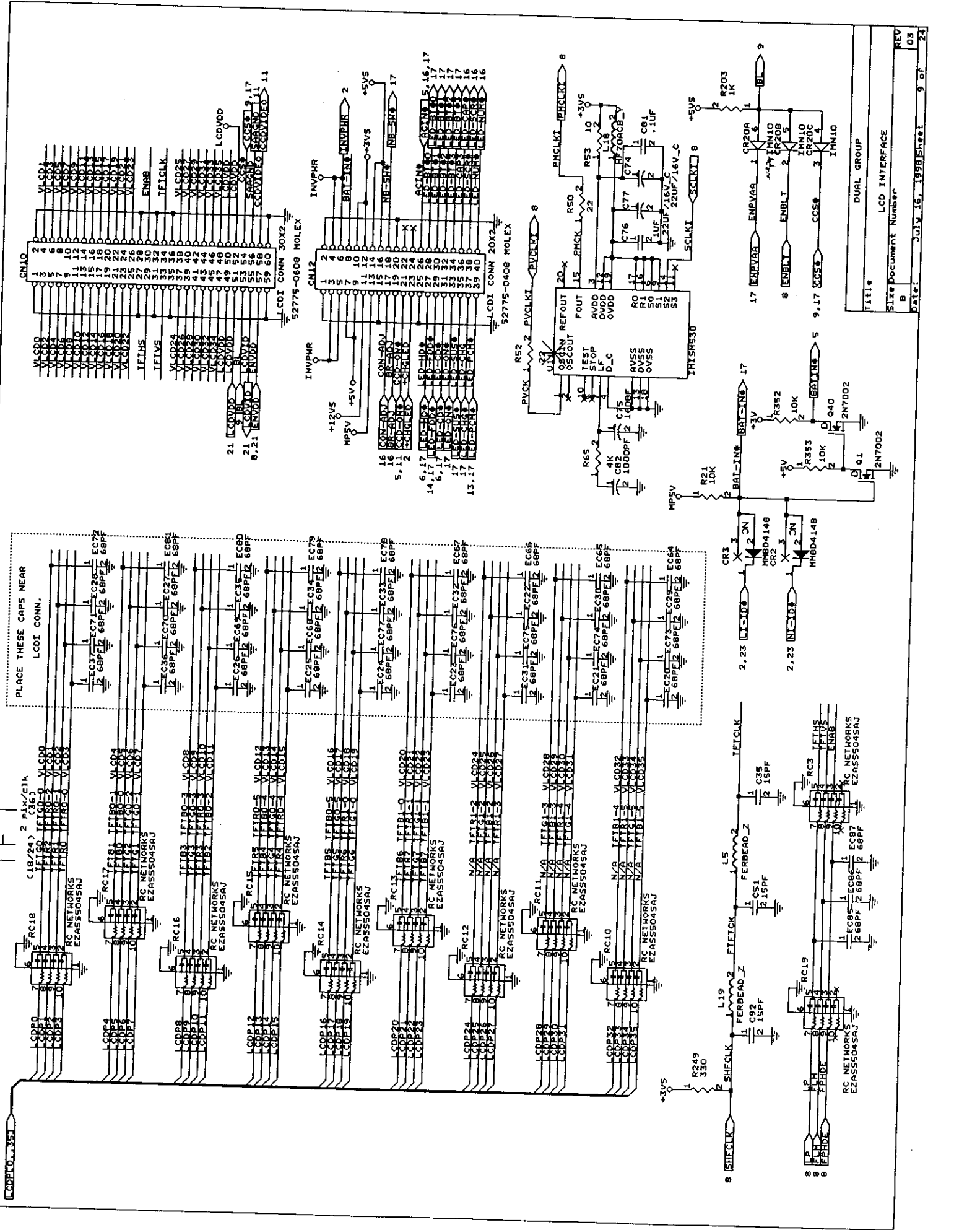
ISA



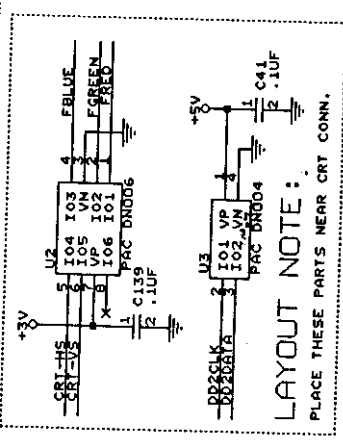
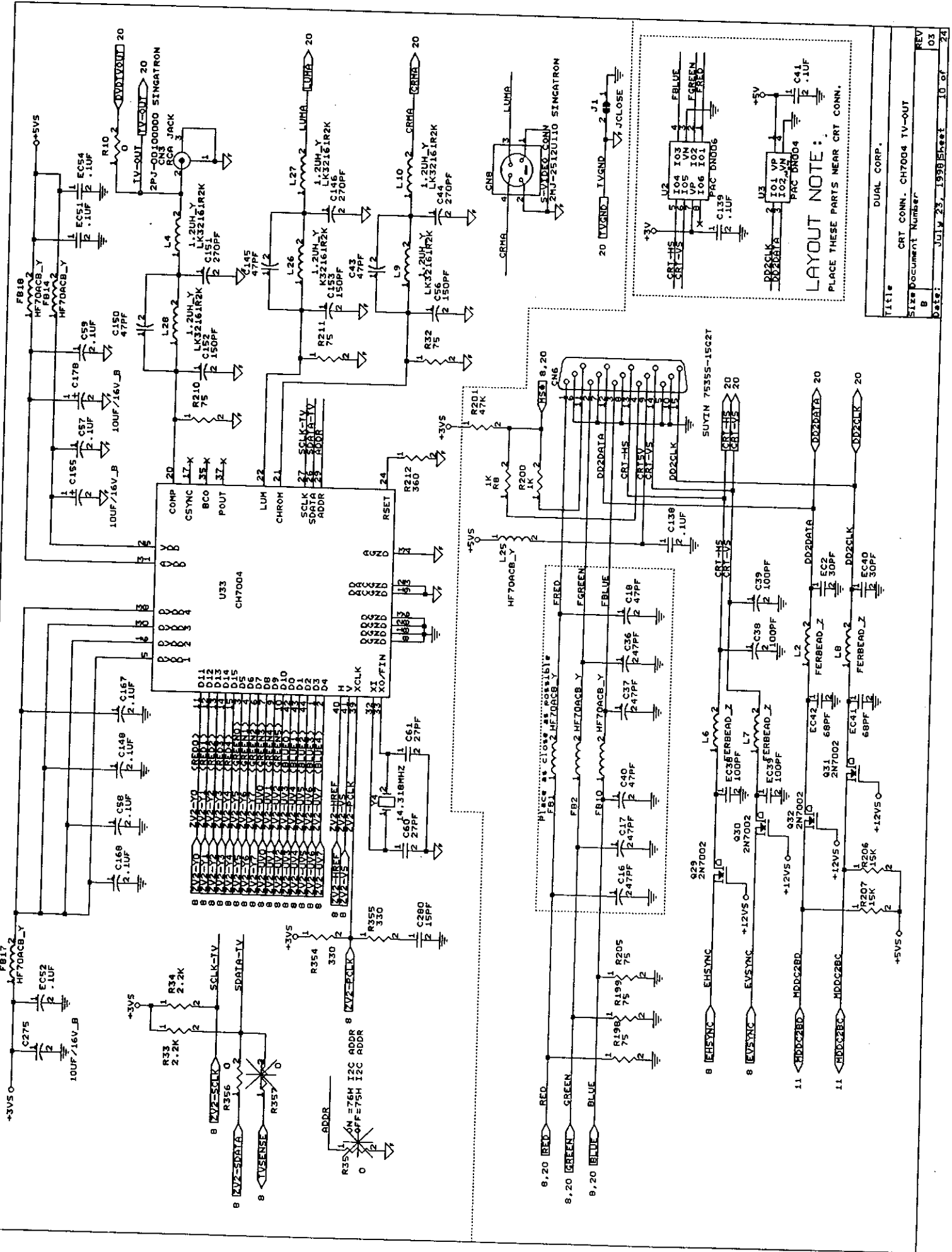
REV	03
Date:	JULY 16, 1998
Sheet	7 of 24
Title	
DAMPING, PU, PD (DRAM, PCI, ISA, IDE)	
Size	Document Number
DUAL GROUP	







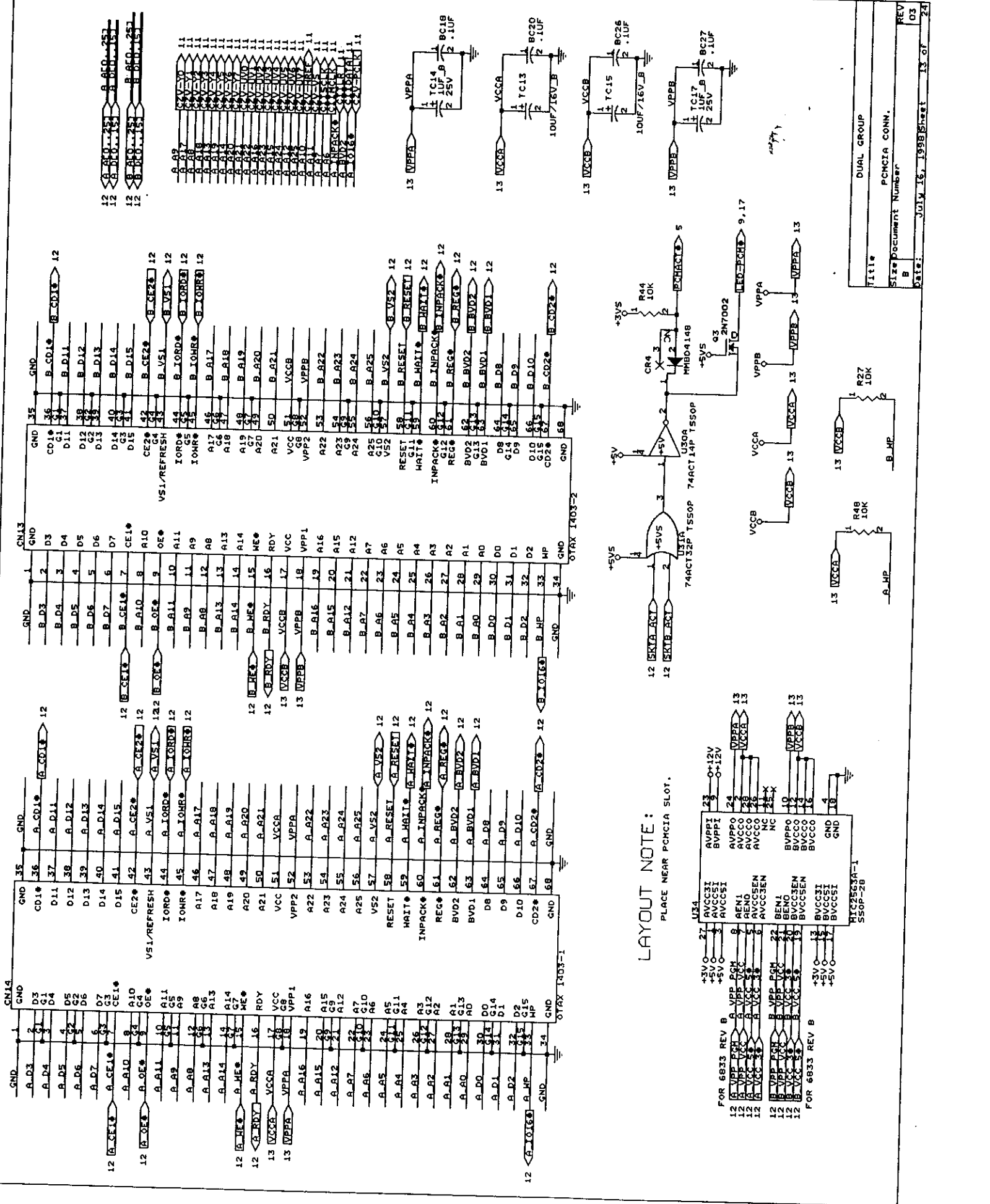
REV	03
Size	Document Number
File	DUAL GROUP
Size	LCD INTERFACE
Doc	LCI
Date	JULY 16, 1998 Sheet 9 of 23



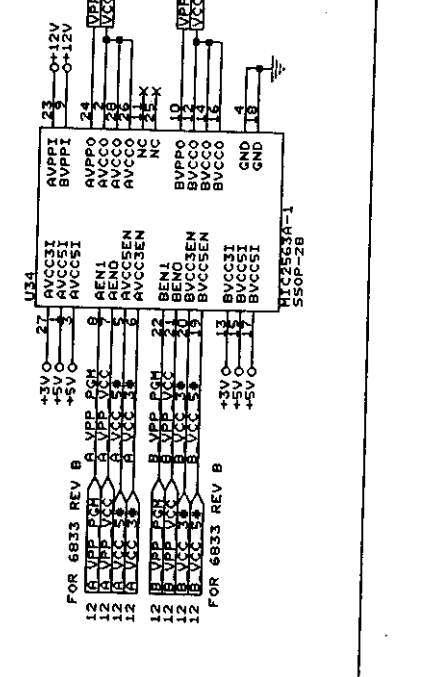
LAYOUT NOTE:  
PLACE THESE PARTS NEAR CRT CONN.

Title: CRT CONN. CH7004 TV-OUT  
 Size: Document Number  
 B  
 Date: JULY 23, 1998  
 REV 10 of 24  
 DUAL CORP.

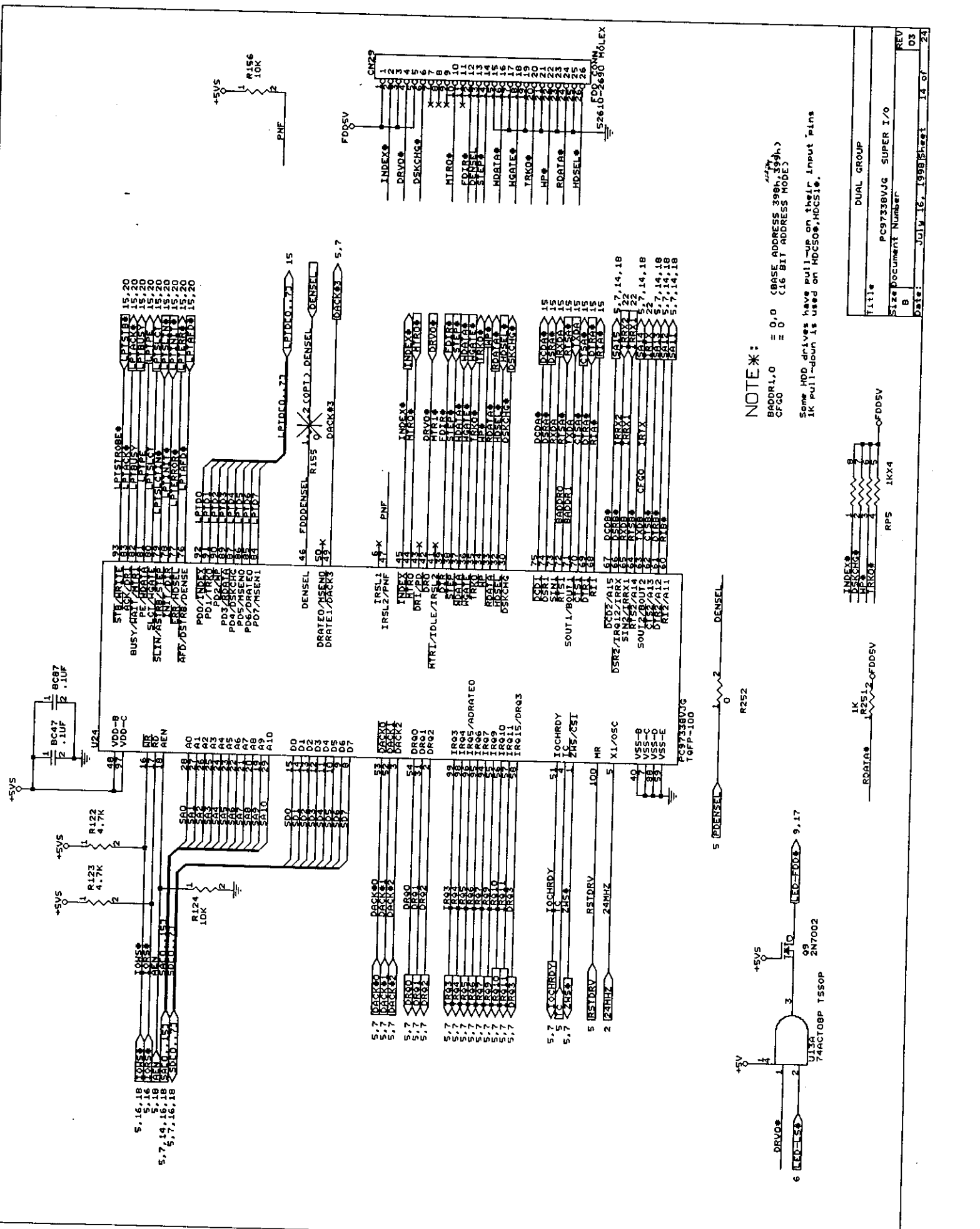




LAYOUT NOTE:  
PLACE NEAR PCMCIA SLOT.

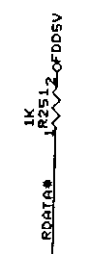
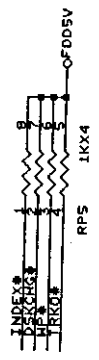


REV 03  
Date: July 16, 1998 Sheet 13 of 24  
Title  
Size Document Number  
PCMCIA CONN.  
DUAL GROUP



**NOTE\*:**  
 BADDR1,0 = 0,0 (BASE ADDRESS 398h,399h)  
 CF00 = 0 (16 BIT ADDRESS MODE)  
 Some HDD drives have pull-up on their input pins  
 1K pull-down is used on HDC50, HDC51.

REV	03
Date:	JULY 16, 1998 Sheet 14 of 24
Size	Document Number
B	PC9738BVJG SUPER I/O
Title	
DUAL GROUP	





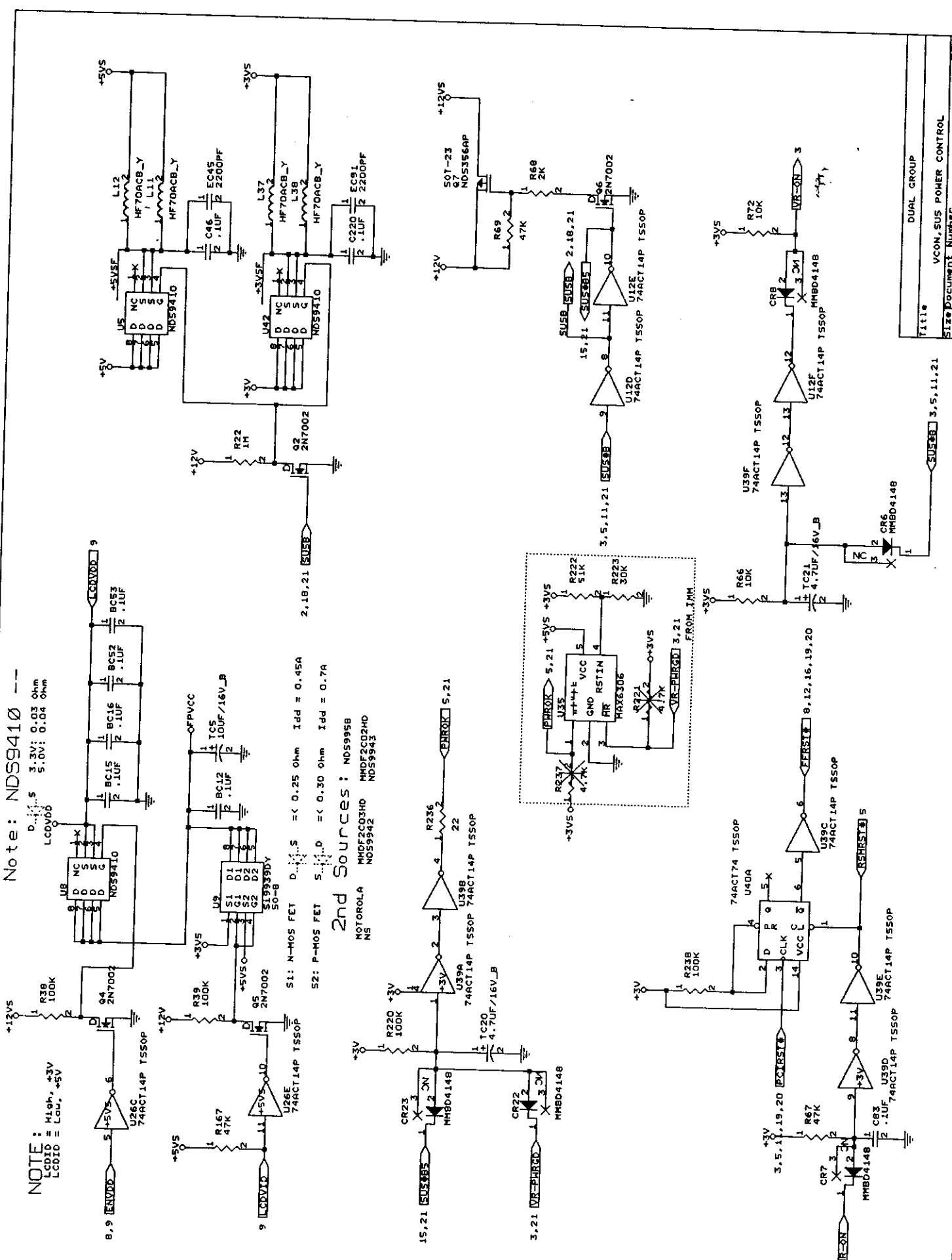






Note: NDS9410

NOTE: High, +3V  
LCDID = Low, +5V

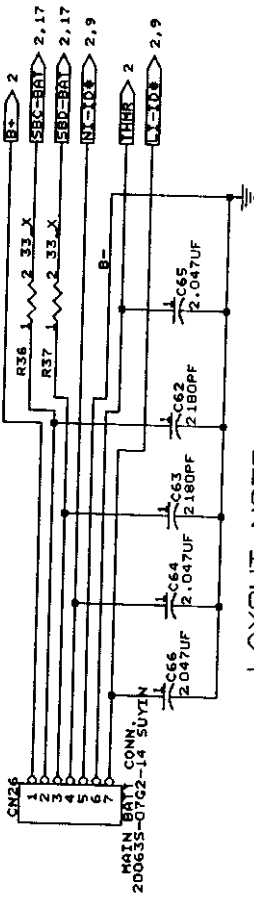


S1: N-MOS FET  $I_{DD} \leq 0.25 \text{ Ohm}$   $I_{DD} = 0.45A$   
 S2: P-MOS FET  $I_{DD} \leq 0.30 \text{ Ohm}$   $I_{DD} = 0.7A$

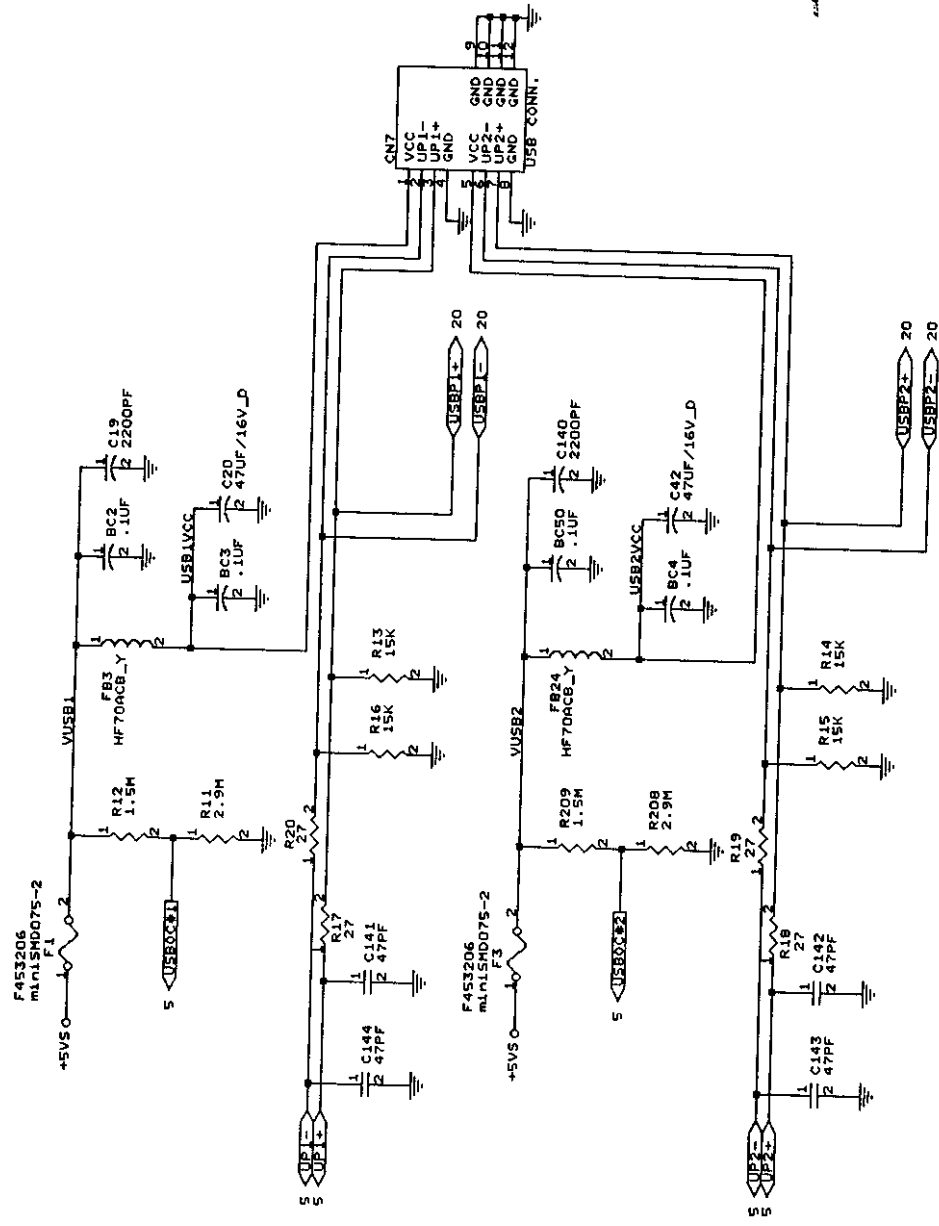
2nd Sources: NDS995B  
 MOTOROLA MMDFC03HD MMDFC02HD  
 NS NDS9942 NDS9943

Title		DUAL GROUP	
Size		VCON,SUS POWER CONTROL	
Document Number		8	
Date:	JULY 16, 1988	Sheet	21 of 24
REV	03		



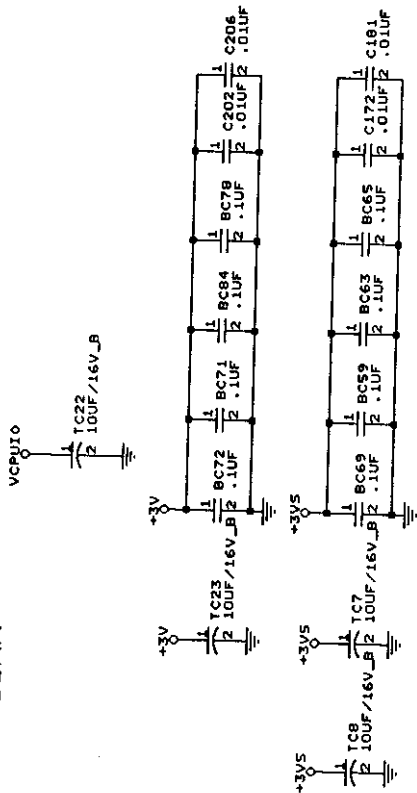


**LAYOUT NOTE:**  
Place these parts  
as close as possible.

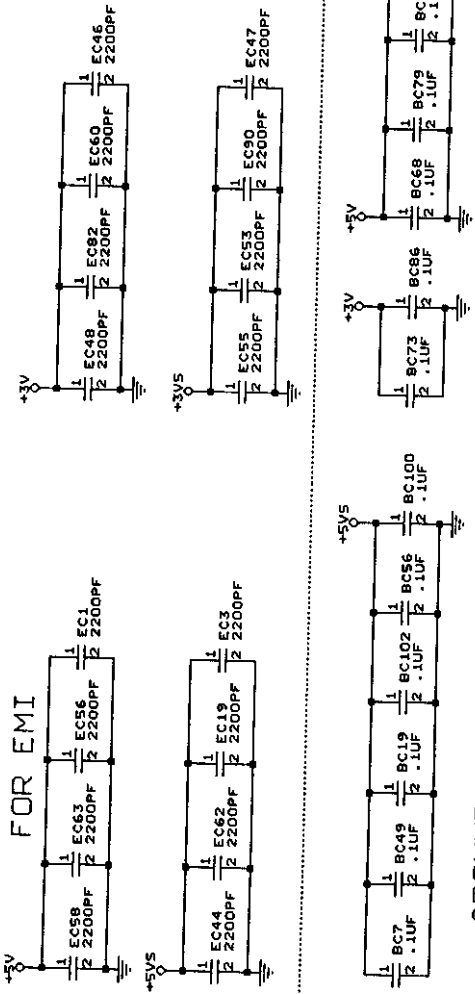
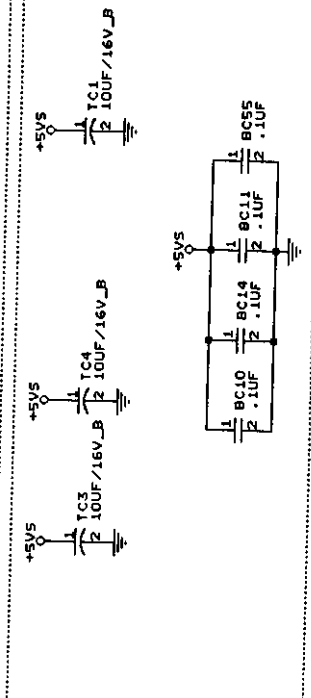
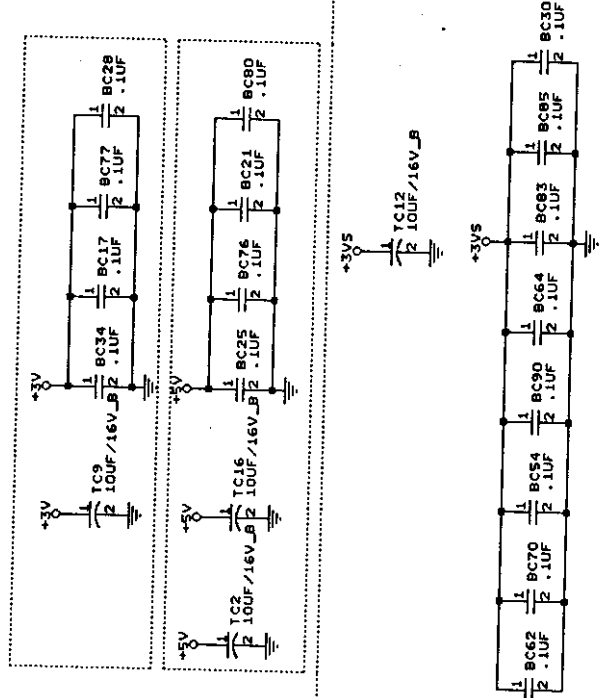


Title		DUAL GROUP
Size Document Number		USB & BATTERY CONN.
REV	B	
Date:	July 16, 1998	Sheet 23 of 24

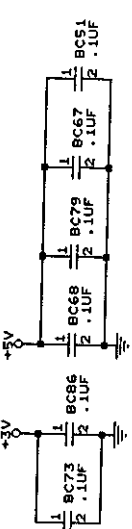
IMM CONN



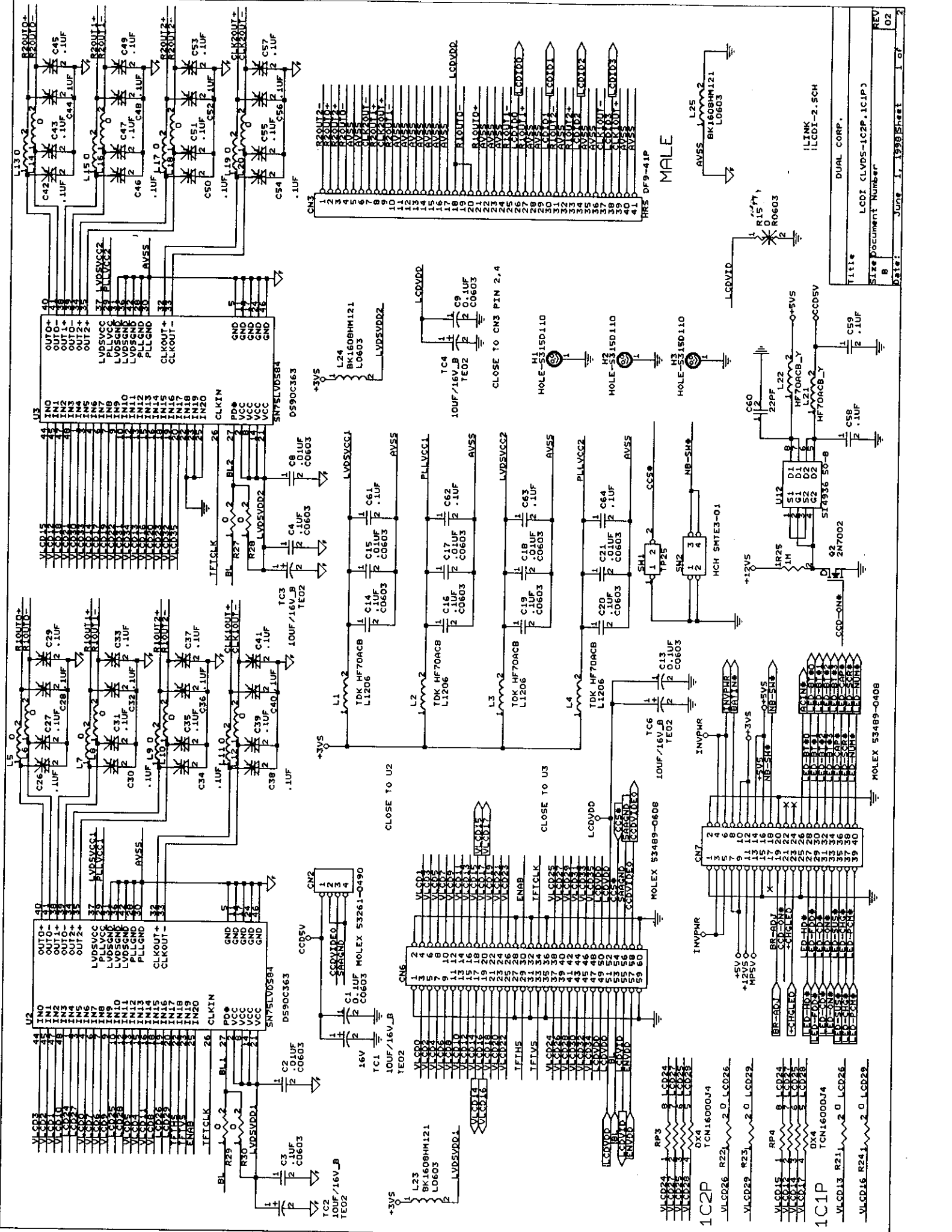
AROUND SYSTEM



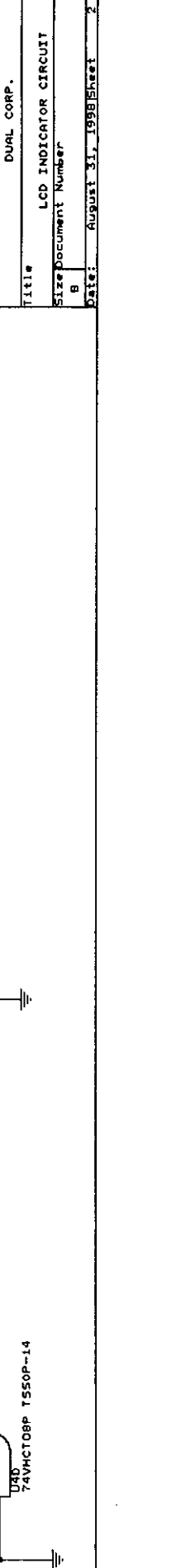
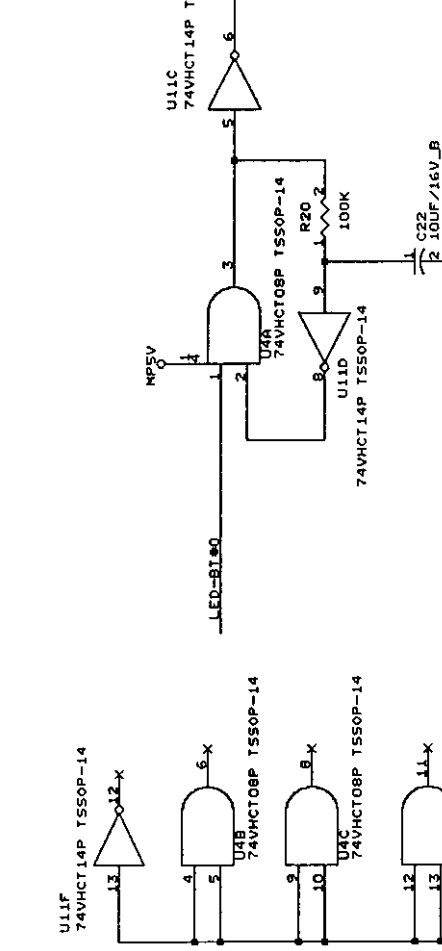
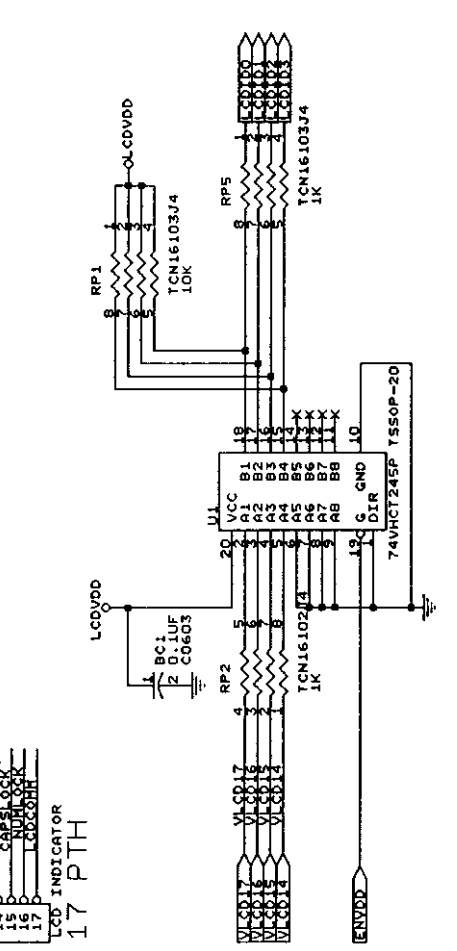
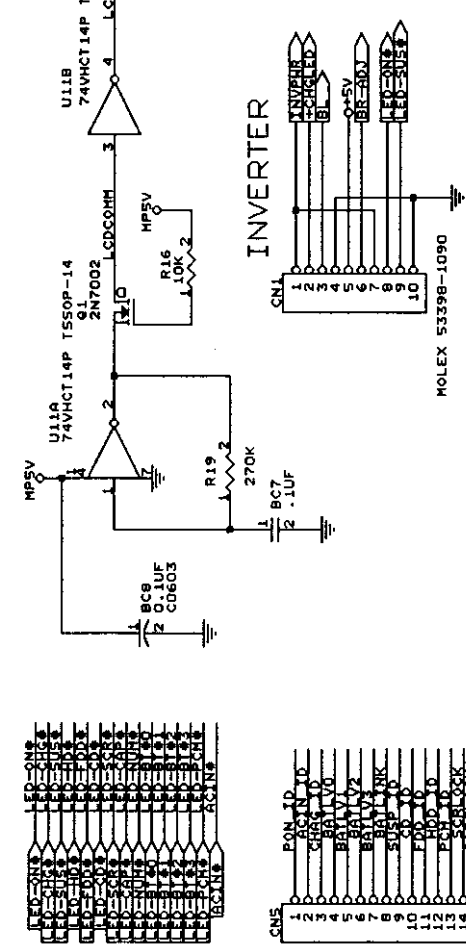
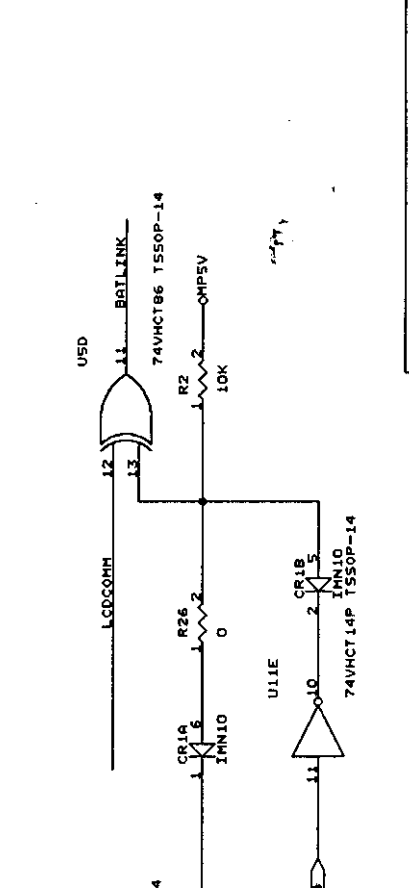
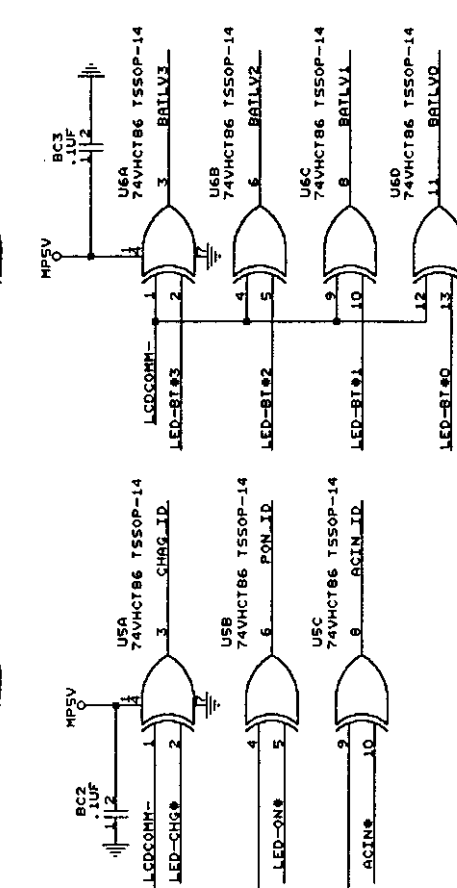
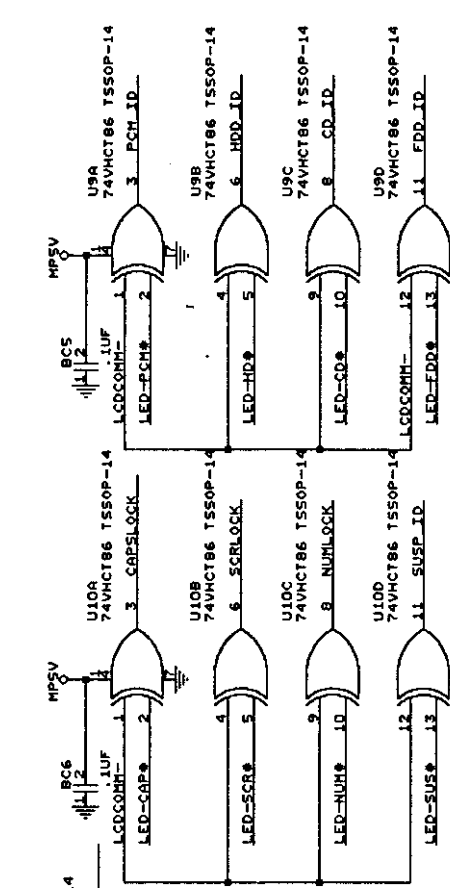
AROUND EACH TTL

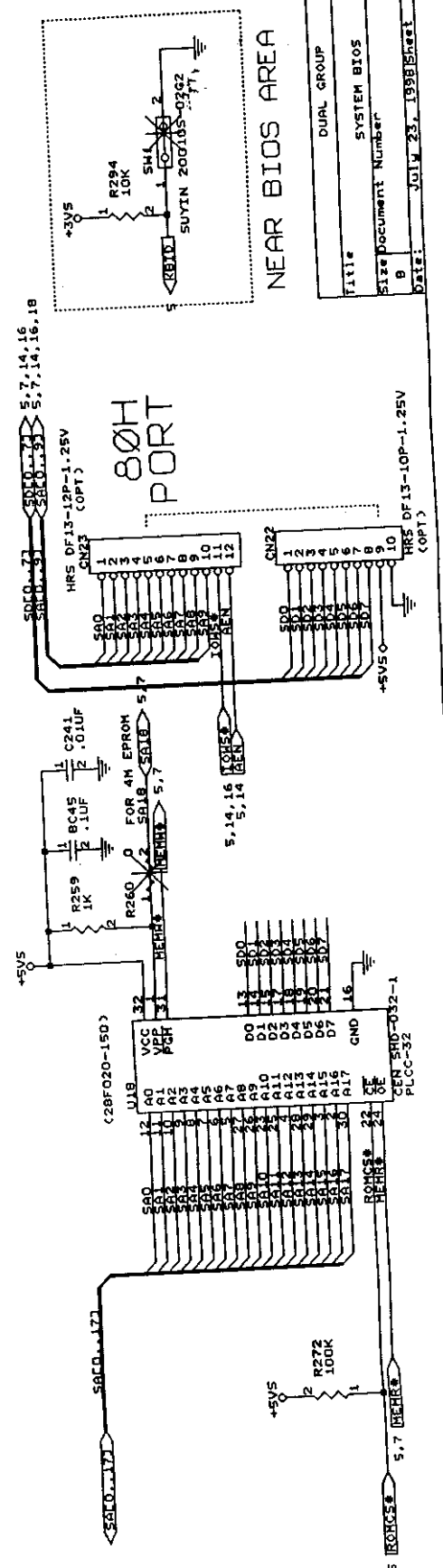
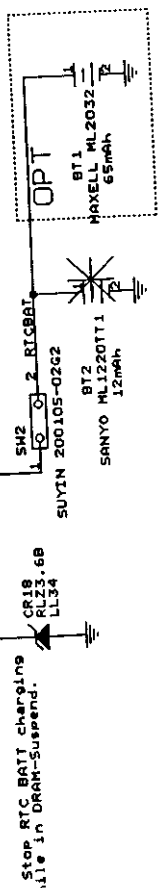
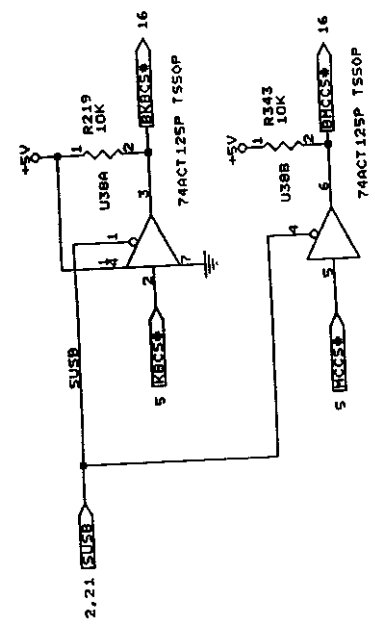
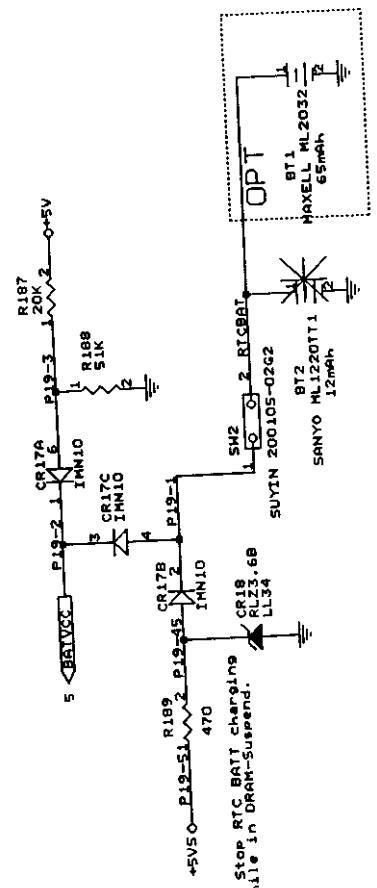
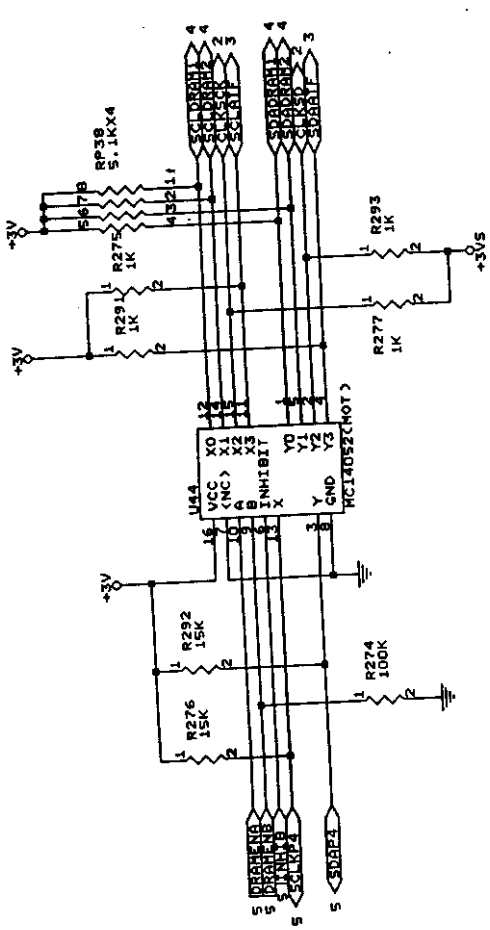


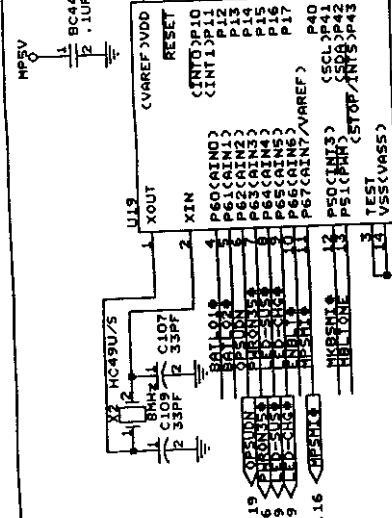
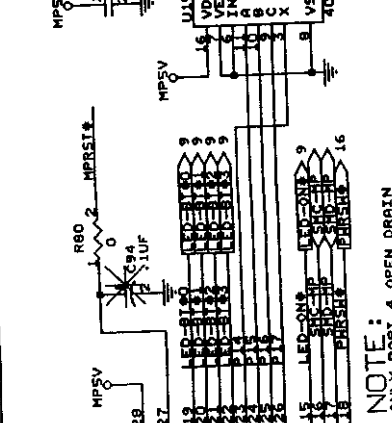
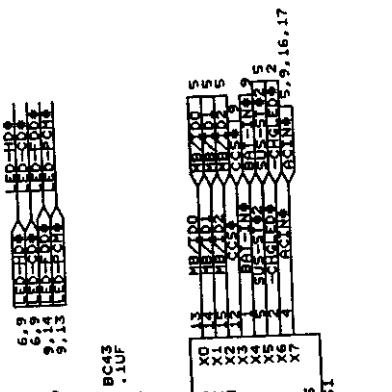
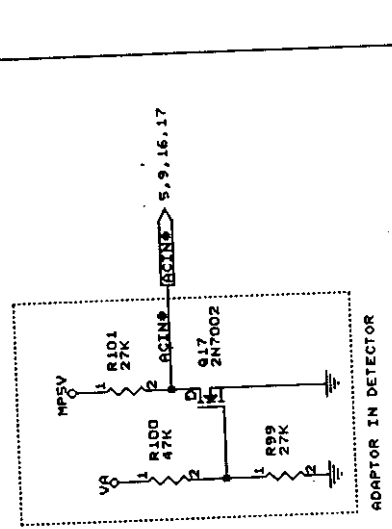
Title	DUAL GROUP
Size	0
Document Number	BAYPASS CAPACITOR
REV	03
Date:	July 16, 1988
Sheet	24 of 24



VLCD24 1 L23 BK1608H121 L0603  
 VLCD23 2 L24 BK1608H121 L0603  
 VLCD22 3 L25 BK1608H121 L0603  
 VLCD21 4 L26 BK1608H121 L0603  
 VLCD20 5 L27 BK1608H121 L0603  
 VLCD19 6 L28 BK1608H121 L0603  
 VLCD18 7 L29 BK1608H121 L0603  
 VLCD17 8 L30 BK1608H121 L0603  
 VLCD16 9 L31 BK1608H121 L0603  
 VLCD15 10 L32 BK1608H121 L0603  
 VLCD14 11 L33 BK1608H121 L0603  
 VLCD13 12 L34 BK1608H121 L0603  
 VLCD12 13 L35 BK1608H121 L0603  
 VLCD11 14 L36 BK1608H121 L0603  
 VLCD10 15 L37 BK1608H121 L0603  
 VLCD9 16 L38 BK1608H121 L0603  
 VLCD8 17 L39 BK1608H121 L0603  
 VLCD7 18 L40 BK1608H121 L0603  
 VLCD6 19 L41 BK1608H121 L0603  
 VLCD5 20 L42 BK1608H121 L0603  
 VLCD4 21 L43 BK1608H121 L0603  
 VLCD3 22 L44 BK1608H121 L0603  
 VLCD2 23 L45 BK1608H121 L0603  
 VLCD1 24 L46 BK1608H121 L0603  
 ENAB 25 L47 BK1608H121 L0603  
 IFCLK 26 L48 BK1608H121 L0603  
 IFV5 27 L49 BK1608H121 L0603  
 IFV4 28 L50 BK1608H121 L0603  
 IFV3 29 L51 BK1608H121 L0603  
 IFV2 30 L52 BK1608H121 L0603  
 IFV1 31 L53 BK1608H121 L0603  
 ENAB 32 L54 BK1608H121 L0603  
 VLCD15 33 L55 BK1608H121 L0603  
 VLCD14 34 L56 BK1608H121 L0603  
 VLCD13 35 L57 BK1608H121 L0603  
 VLCD12 36 L58 BK1608H121 L0603  
 VLCD11 37 L59 BK1608H121 L0603  
 VLCD10 38 L60 BK1608H121 L0603  
 VLCD9 39 L61 BK1608H121 L0603  
 VLCD8 40 L62 BK1608H121 L0603  
 VLCD7 41 L63 BK1608H121 L0603  
 VLCD6 42 L64 BK1608H121 L0603  
 VLCD5 43 L65 BK1608H121 L0603  
 VLCD4 44 L66 BK1608H121 L0603  
 VLCD3 45 L67 BK1608H121 L0603  
 VLCD2 46 L68 BK1608H121 L0603  
 VLCD1 47 L69 BK1608H121 L0603  
 ENAB 48 L70 BK1608H121 L0603  
 IFCLK 49 L71 BK1608H121 L0603  
 IFV5 50 L72 BK1608H121 L0603  
 IFV4 51 L73 BK1608H121 L0603  
 IFV3 52 L74 BK1608H121 L0603  
 IFV2 53 L75 BK1608H121 L0603  
 IFV1 54 L76 BK1608H121 L0603  
 ENAB 55 L77 BK1608H121 L0603  
 VLCD15 56 L78 BK1608H121 L0603  
 VLCD14 57 L79 BK1608H121 L0603  
 VLCD13 58 L80 BK1608H121 L0603  
 VLCD12 59 L81 BK1608H121 L0603  
 VLCD11 60 L82 BK1608H121 L0603  
 VLCD10 61 L83 BK1608H121 L0603  
 VLCD9 62 L84 BK1608H121 L0603  
 VLCD8 63 L85 BK1608H121 L0603  
 VLCD7 64 L86 BK1608H121 L0603  
 VLCD6 65 L87 BK1608H121 L0603  
 VLCD5 66 L88 BK1608H121 L0603  
 VLCD4 67 L89 BK1608H121 L0603  
 VLCD3 68 L90 BK1608H121 L0603  
 VLCD2 69 L91 BK1608H121 L0603  
 VLCD1 70 L92 BK1608H121 L0603  
 ENAB 71 L93 BK1608H121 L0603  
 IFCLK 72 L94 BK1608H121 L0603  
 IFV5 73 L95 BK1608H121 L0603  
 IFV4 74 L96 BK1608H121 L0603  
 IFV3 75 L97 BK1608H121 L0603  
 IFV2 76 L98 BK1608H121 L0603  
 IFV1 77 L99 BK1608H121 L0603  
 ENAB 78 L100 BK1608H121 L0603  
 VLCD15 79 L101 BK1608H121 L0603  
 VLCD14 80 L102 BK1608H121 L0603  
 VLCD13 81 L103 BK1608H121 L0603  
 VLCD12 82 L104 BK1608H121 L0603  
 VLCD11 83 L105 BK1608H121 L0603  
 VLCD10 84 L106 BK1608H121 L0603  
 VLCD9 85 L107 BK1608H121 L0603  
 VLCD8 86 L108 BK1608H121 L0603  
 VLCD7 87 L109 BK1608H121 L0603  
 VLCD6 88 L110 BK1608H121 L0603  
 VLCD5 89 L111 BK1608H121 L0603  
 VLCD4 90 L112 BK1608H121 L0603  
 VLCD3 91 L113 BK1608H121 L0603  
 VLCD2 92 L114 BK1608H121 L0603  
 VLCD1 93 L115 BK1608H121 L0603  
 ENAB 94 L116 BK1608H121 L0603  
 IFCLK 95 L117 BK1608H121 L0603  
 IFV5 96 L118 BK1608H121 L0603  
 IFV4 97 L119 BK1608H121 L0603  
 IFV3 98 L120 BK1608H121 L0603  
 IFV2 99 L121 BK1608H121 L0603  
 IFV1 100 L122 BK1608H121 L0603  
 ENAB 101 L123 BK1608H121 L0603  
 VLCD15 102 L124 BK1608H121 L0603  
 VLCD14 103 L125 BK1608H121 L0603  
 VLCD13 104 L126 BK1608H121 L0603  
 VLCD12 105 L127 BK1608H121 L0603  
 VLCD11 106 L128 BK1608H121 L0603  
 VLCD10 107 L129 BK1608H121 L0603  
 VLCD9 108 L130 BK1608H121 L0603  
 VLCD8 109 L131 BK1608H121 L0603  
 VLCD7 110 L132 BK1608H121 L0603  
 VLCD6 111 L133 BK1608H121 L0603  
 VLCD5 112 L134 BK1608H121 L0603  
 VLCD4 113 L135 BK1608H121 L0603  
 VLCD3 114 L136 BK1608H121 L0603  
 VLCD2 115 L137 BK1608H121 L0603  
 VLCD1 116 L138 BK1608H121 L0603  
 ENAB 117 L139 BK1608H121 L0603  
 IFCLK 118 L140 BK1608H121 L0603  
 IFV5 119 L141 BK1608H121 L0603  
 IFV4 120 L142 BK1608H121 L0603  
 IFV3 121 L143 BK1608H121 L0603  
 IFV2 122 L144 BK1608H121 L0603  
 IFV1 123 L145 BK1608H121 L0603  
 ENAB 124 L146 BK1608H121 L0603  
 VLCD15 125 L147 BK1608H121 L0603  
 VLCD14 126 L148 BK1608H121 L0603  
 VLCD13 127 L149 BK1608H121 L0603  
 VLCD12 128 L150 BK1608H121 L0603  
 VLCD11 129 L151 BK1608H121 L0603  
 VLCD10 130 L152 BK1608H121 L0603  
 VLCD9 131 L153 BK1608H121 L0603  
 VLCD8 132 L154 BK1608H121 L0603  
 VLCD7 133 L155 BK1608H121 L0603  
 VLCD6 134 L156 BK1608H121 L0603  
 VLCD5 135 L157 BK1608H121 L0603  
 VLCD4 136 L158 BK1608H121 L0603  
 VLCD3 137 L159 BK1608H121 L0603  
 VLCD2 138 L160 BK1608H121 L0603  
 VLCD1 139 L161 BK1608H121 L0603  
 ENAB 140 L162 BK1608H121 L0603  
 IFCLK 141 L163 BK1608H121 L0603  
 IFV5 142 L164 BK1608H121 L0603  
 IFV4 143 L165 BK1608H121 L0603  
 IFV3 144 L166 BK1608H121 L0603  
 IFV2 145 L167 BK1608H121 L0603  
 IFV1 146 L168 BK1608H121 L0603  
 ENAB 147 L169 BK1608H121 L0603  
 VLCD15 148 L170 BK1608H121 L0603  
 VLCD14 149 L171 BK1608H121 L0603  
 VLCD13 150 L172 BK1608H121 L0603  
 VLCD12 151 L173 BK1608H121 L0603  
 VLCD11 152 L174 BK1608H121 L0603  
 VLCD10 153 L175 BK1608H121 L0603  
 VLCD9 154 L176 BK1608H121 L0603  
 VLCD8 155 L177 BK1608H121 L0603  
 VLCD7 156 L178 BK1608H121 L0603  
 VLCD6 157 L179 BK1608H121 L0603  
 VLCD5 158 L180 BK1608H121 L0603  
 VLCD4 159 L181 BK1608H121 L0603  
 VLCD3 160 L182 BK1608H121 L0603  
 VLCD2 161 L183 BK1608H121 L0603  
 VLCD1 162 L184 BK1608H121 L0603  
 ENAB 163 L185 BK1608H121 L0603  
 IFCLK 164 L186 BK1608H121 L0603  
 IFV5 165 L187 BK1608H121 L0603  
 IFV4 166 L188 BK1608H121 L0603  
 IFV3 167 L189 BK1608H121 L0603  
 IFV2 168 L190 BK1608H121 L0603  
 IFV1 169 L191 BK1608H121 L0603  
 ENAB 170 L192 BK1608H121 L0603  
 VLCD15 171 L193 BK1608H121 L0603  
 VLCD14 172 L194 BK1608H121 L0603  
 VLCD13 173 L195 BK1608H121 L0603  
 VLCD12 174 L196 BK1608H121 L0603  
 VLCD11 175 L197 BK1608H121 L0603  
 VLCD10 176 L198 BK1608H121 L0603  
 VLCD9 177 L199 BK1608H121 L0603  
 VLCD8 178 L200 BK1608H121 L0603  
 VLCD7 179 L201 BK1608H121 L0603  
 VLCD6 180 L202 BK1608H121 L0603  
 VLCD5 181 L203 BK1608H121 L0603  
 VLCD4 182 L204 BK1608H121 L0603  
 VLCD3 183 L205 BK1608H121 L0603  
 VLCD2 184 L206 BK1608H121 L0603  
 VLCD1 185 L207 BK1608H121 L0603  
 ENAB 186 L208 BK1608H121 L0603  
 IFCLK 187 L209 BK1608H121 L0603  
 IFV5 188 L210 BK1608H121 L0603  
 IFV4 189 L211 BK1608H121 L0603  
 IFV3 190 L212 BK1608H121 L0603  
 IFV2 191 L213 BK1608H121 L0603  
 IFV1 192 L214 BK1608H121 L0603  
 ENAB 193 L215 BK1608H121 L0603  
 VLCD15 194 L216 BK1608H121 L0603  
 VLCD14 195 L217 BK1608H121 L0603  
 VLCD13 196 L218 BK1608H121 L0603  
 VLCD12 197 L219 BK1608H121 L0603  
 VLCD11 198 L220 BK1608H121 L0603  
 VLCD10 199 L221 BK1608H121 L0603  
 VLCD9 200 L222 BK1608H121 L0603  
 VLCD8 201 L223 BK1608H121 L0603  
 VLCD7 202 L224 BK1608H121 L0603  
 VLCD6 203 L225 BK1608H121 L0603  
 VLCD5 204 L226 BK1608H121 L0603  
 VLCD4 205 L227 BK1608H121 L0603  
 VLCD3 206 L228 BK1608H121 L0603  
 VLCD2 207 L229 BK1608H121 L0603  
 VLCD1 208 L230 BK1608H121 L0603  
 ENAB 209 L231 BK1608H121 L0603  
 IFCLK 210 L232 BK1608H121 L0603  
 IFV5 211 L233 BK1608H121 L0603  
 IFV4 212 L234 BK1608H121 L0603  
 IFV3 213 L235 BK1608H121 L0603  
 IFV2 214 L236 BK1608H121 L0603  
 IFV1 215 L237 BK1608H121 L0603  
 ENAB 216 L238 BK1608H121 L0603  
 VLCD15 217 L239 BK1608H121 L0603  
 VLCD14 218 L240 BK1608H121 L0603  
 VLCD13 219 L241 BK1608H121 L0603  
 VLCD12 220 L242 BK1608H121 L0603  
 VLCD11 221 L243 BK1608H121 L0603  
 VLCD10 222 L244 BK1608H121 L0603  
 VLCD9 223 L245 BK1608H121 L0603  
 VLCD8 224 L246 BK1608H121 L0603  
 VLCD7 225 L247 BK1608H121 L0603  
 VLCD6 226 L248 BK1608H121 L0603  
 VLCD5 227 L249 BK1608H121 L0603  
 VLCD4 228 L250 BK1608H121 L0603  
 VLCD3 229 L251 BK1608H121 L0603  
 VLCD2 230 L252 BK1608H121 L0603  
 VLCD1 231 L253 BK1608H121 L0603  
 ENAB 232 L254 BK1608H121 L0603  
 IFCLK 233 L255 BK1608H121 L0603  
 IFV5 234 L256 BK1608H121 L0603  
 IFV4 235 L257 BK1608H121 L0603  
 IFV3 236 L258 BK1608H121 L0603  
 IFV2 237 L259 BK1608H121 L0603  
 IFV1 238 L260 BK1608H121 L0603  
 ENAB 239 L261 BK1608H121 L0603  
 VLCD15 240 L262 BK1608H121 L0603  
 VLCD14 241 L263 BK1608H121 L0603  
 VLCD13 242 L264 BK1608H121 L0603  
 VLCD12 243 L265 BK1608H121 L0603  
 VLCD11 244 L266 BK1608H121 L0603  
 VLCD10 245 L267 BK1608H121 L0603  
 VLCD9 246 L268 BK1608H121 L0603  
 VLCD8 247 L269 BK1608H121 L0603  
 VLCD7 248 L270 BK1608H121 L0603  
 VLCD6 249 L271 BK1608H121 L0603  
 VLCD5 250 L272 BK1608H121 L0603  
 VLCD4 251 L273 BK1608H121 L0603  
 VLCD3 252 L274 BK1608H121 L0603  
 VLCD2 253 L275 BK1608H121 L0603  
 VLCD1 254 L276 BK1608H121 L0603  
 ENAB 255 L277 BK1608H121 L0603  
 IFCLK 256 L278 BK1608H121 L0603  
 IFV5 257 L279 BK1608H121 L0603  
 IFV4 258 L280 BK1608H121 L0603  
 IFV3 259 L281 BK1608H121 L0603  
 IFV2 260 L282 BK1608H121 L0603  
 IFV1 261 L283 BK1608H121 L0603  
 ENAB 262 L284 BK1608H121 L0603  
 VLCD15 263 L285 BK1608H121 L0603  
 VLCD14 264 L286 BK1608H121 L0603  
 VLCD13 265 L287 BK1608H121 L0603  
 VLCD12 266 L288 BK1608H121 L0603  
 VLCD11 267 L289 BK1608H121 L0603  
 VLCD10 268 L290 BK1608H121 L0603  
 VLCD9 269 L291 BK1608H121 L0603  
 VLCD8 270 L292 BK1608H121 L0603  
 VLCD7 271 L293 BK1608H121 L0603  
 VLCD6 272 L294 BK1608H121 L0603  
 VLCD5 273 L295 BK1608H121 L0603  
 VLCD4 274 L296 BK1608H121 L0603  
 VLCD3 275 L297 BK1608H121 L0603  
 VLCD2 276 L298 BK1608H121 L0603  
 VLCD1 277 L299 BK1608H121 L0603  
 ENAB 278 L300 BK1608H121 L0603  
 IFCLK 279 L301 BK1608H121 L0603  
 IFV5 280 L302 BK1608H121 L0603  
 IFV4 281 L303 BK1608H121 L0603  
 IFV3 282 L304 BK1608H121 L0603  
 IFV2 283 L305 BK1608H121 L0603  
 IFV1 284 L306 BK1608H121 L0603  
 ENAB 285 L307 BK1608H121 L0603  
 VLCD15 286 L308 BK1608H121 L0603  
 VLCD14 287 L309 BK1608H121 L0603  
 VLCD13 288 L310 BK1608H121 L0603  
 VLCD12 289 L311 BK1608H121 L0603  
 VLCD11 290 L312 BK1608H121 L0603  
 VLCD10 291 L313 BK1608H121 L0603  
 VLCD9 292 L314 BK1608H121 L0603  
 VLCD8 293 L315 BK1608H121 L0603  
 VLCD7 294 L316 BK1608H121 L0603  
 VLCD6 295 L317 BK1608H121 L0603  
 VLCD5 296 L318 BK1608H121 L0603  
 VLCD4 297 L319 BK1608H121 L0603  
 VLCD3 298 L320 BK1608H121 L0603  
 VLCD2 299 L321 BK1608H121 L0603  
 VLCD1 300 L322 BK1608H121 L0603  
 ENAB 301 L323 BK1608H121 L0603  
 IFCLK 302 L324 BK1608H121 L0603  
 IFV5 303 L325 BK1608H121 L0603  
 IFV4 304 L326 BK1608H121 L0603  
 IFV3 305 L327 BK1608H121 L0603  
 IFV2 306 L328 BK1608H121 L0603  
 IFV1 307 L329 BK1608H121 L0603  
 ENAB 308 L330 BK1608H121 L0603  
 VLCD15 309 L331 BK1608H121 L0603  
 VLCD14 310 L332 BK1608H121 L0603  
 VLCD13 311 L333 BK1608H121 L0603  
 VLCD12 312 L334 BK1608H121 L0603  
 VLCD11 313 L335 BK1608H121 L0603  
 VLCD10 314 L336 BK1608H121 L0603  
 VLCD9 315 L337 BK1608H121 L0603  
 VLCD8 316 L338 BK1608H121 L0603  
 VLCD7 317 L339 BK1608H121 L0603  
 VLCD6 318 L340 BK1608H121 L0603  
 VLCD5 319 L341 BK1608H121 L0603  
 VLCD4 320 L342 BK1608H121 L0603  
 VLCD3 321 L343 BK1608H121 L0603  
 VLCD2 322 L344 BK1608H121 L0603  
 VLCD1 323 L345 BK1608H121 L0603  
 ENAB 324 L346 BK1608H121 L0603  
 IFCLK 325 L347 BK1608H121 L0603  
 IFV5 326 L348 BK1608H121 L0603  
 IFV4 327 L349 BK1608H121 L0603  
 IFV3 328 L350 BK1608H121 L0603  
 IFV2 329 L351 BK1608H121 L0603  
 IFV1 330 L352 BK1608H121 L0603  
 ENAB 331 L353 BK1608H121 L0603  
 VLCD15 332 L354 BK1608H121 L0603  
 VLCD14 333 L355 BK1608H121 L0603  
 VLCD13 334 L356 BK1608H121 L0603  
 VLCD12 335 L357 BK1608H121 L0603  
 VLCD11 336 L358 BK1608H121 L0603  
 VLCD10 337 L359 BK1608H121 L0603  
 VLCD9 338 L360 BK1608H121 L0603  
 VLCD8 339 L361 BK1608H121 L0603  
 VLCD7 340 L362 BK1608H121 L0603  
 VLCD6 341 L363 BK1608H121 L0603  
 VLCD5 342 L364 BK1608H121 L0603  
 VLCD4 343 L365 BK1608H121 L0603  
 VLCD3 344 L366 BK1608H121 L0603  
 VLCD2 345 L367 BK1608H121 L0603  
 VLCD1 346 L368 BK1608H121 L0603  
 ENAB 347 L369 BK1608H121 L0603  
 IFCLK 348 L370 BK1608H121 L0603  
 IFV5 349 L371 BK1608H121 L0603  
 IFV4 350 L372 BK1608H121 L0603  
 IFV3 351 L373 BK1608H121 L0603  
 IFV2 352 L374 BK1608H121 L0603  
 IFV1 353 L375 BK1608H121 L0603  
 ENAB 354 L376 BK1608H121 L0603  
 VLCD15 355 L377 BK1608H121 L0603  
 VLCD14 356 L378 BK1608H121 L0603  
 VLCD13 357 L379 BK1608H121 L0603  
 VLCD12 358 L380 BK1608H121 L0603  
 VLCD11 359 L381 BK1608H121 L0603  
 VLCD10 360 L382 BK1608H121 L0603  
 VLCD9 361 L383 BK1608H121 L0603  
 VLCD8 362 L384 BK1608H121 L0603  
 VLCD7 363 L385 BK1608H121 L0603  
 VLCD6 364 L386 BK1608H121 L0603  
 VLCD5 365 L387 BK1608H121 L0603  
 VLCD4 366 L388 BK1608H121 L0603  
 VLCD3 367 L389 BK1608H121 L0603  
 VLCD2 368 L390 BK1608H121 L0603  
 VLCD1 369 L391 BK1608H121 L0603  
 ENAB 370 L392 BK1608H121 L0603  
 IFCLK 371 L393 BK1608H121 L0603  
 IFV5 372 L394 BK1608H121 L0603  
 IFV4 373 L395 BK1608H121 L0603  
 IFV3 374 L396 BK1608H121 L0603  
 IFV2 375 L397 BK1608H121 L0603  
 IFV1 376 L398 BK1608H121 L0603  
 ENAB 377 L399 BK1608H121 L0603  
 VLCD15 378 L400 BK1608H121 L0603  
 VLCD14 379 L401 BK1608H121 L0603  
 VLCD13 380 L402 BK1608H121 L0603  
 VLCD12 381 L403 BK1608H121 L0603  
 VLCD11 382 L404 BK1608H121 L0603  
 VLCD10 383 L405 BK1608H121 L0603  
 VLCD9 384 L406 BK1608H121 L0603  
 VLCD8 385 L407 BK1608H121 L0603  
 VLCD7 386 L408 BK1608H121 L0603  
 VLCD6 387 L409 BK1608H121 L0603  
 VLCD5 388 L410 BK1608H121 L0603  
 VLCD4 389 L411 BK1608H121 L0603  
 VLCD3 390 L412 BK1608H121 L0603  
 VLCD2 391 L413 BK1608H121 L0603  
 VLCD1 392 L414 BK1608H121 L0603  
 ENAB 393 L415 BK1608H121 L0603  
 IFCLK 394 L416 BK1608H121 L0603  
 IFV5 395 L417 BK1608H121 L0603  
 IFV4 396 L418 BK1608H121 L0603  
 IFV3 397 L419 BK1608H121 L0603  
 IFV2 398 L420 BK1608H121 L0603  
 IFV1 399 L421 BK1608H121 L0603  
 ENAB 400 L422 BK1608H121 L0603  
 VLCD15 401 L423 BK1608H121 L0603  
 VLCD14 402 L424 BK1608H121 L0603  
 VLCD13 403 L425 BK1608H121 L0603  
 VLCD12 404 L426 BK1608H121 L0603  
 VLCD11 405 L427 BK1608H121 L0603  
 VLCD10 406 L428 BK1608H121 L0603  
 VLCD9 407 L429 BK1608H121 L0603  
 VLCD8 408 L430 BK1608H121 L0603  
 VLCD7 409 L431 BK1608H121 L0603  
 VLCD6 410 L432 BK1608H121 L0603  
 VLCD5 411 L433 BK1608H121 L0603  
 VLCD4 412 L434 BK1608H121 L0603  
 VLCD3 413 L435 BK1608H121 L0603  
 VLCD2 414 L436 BK1608H121 L0603  
 VLCD1 415 L437 BK1608H121 L0603  
 ENAB 416 L438 BK1608H121 L0603  
 IFCLK 417 L439 BK1608H121 L0603  
 IFV5 418 L440 BK1608H121 L0603  
 IFV4 419 L441 BK1608H121 L0603  
 IFV3 420 L442 BK1608H121 L0603





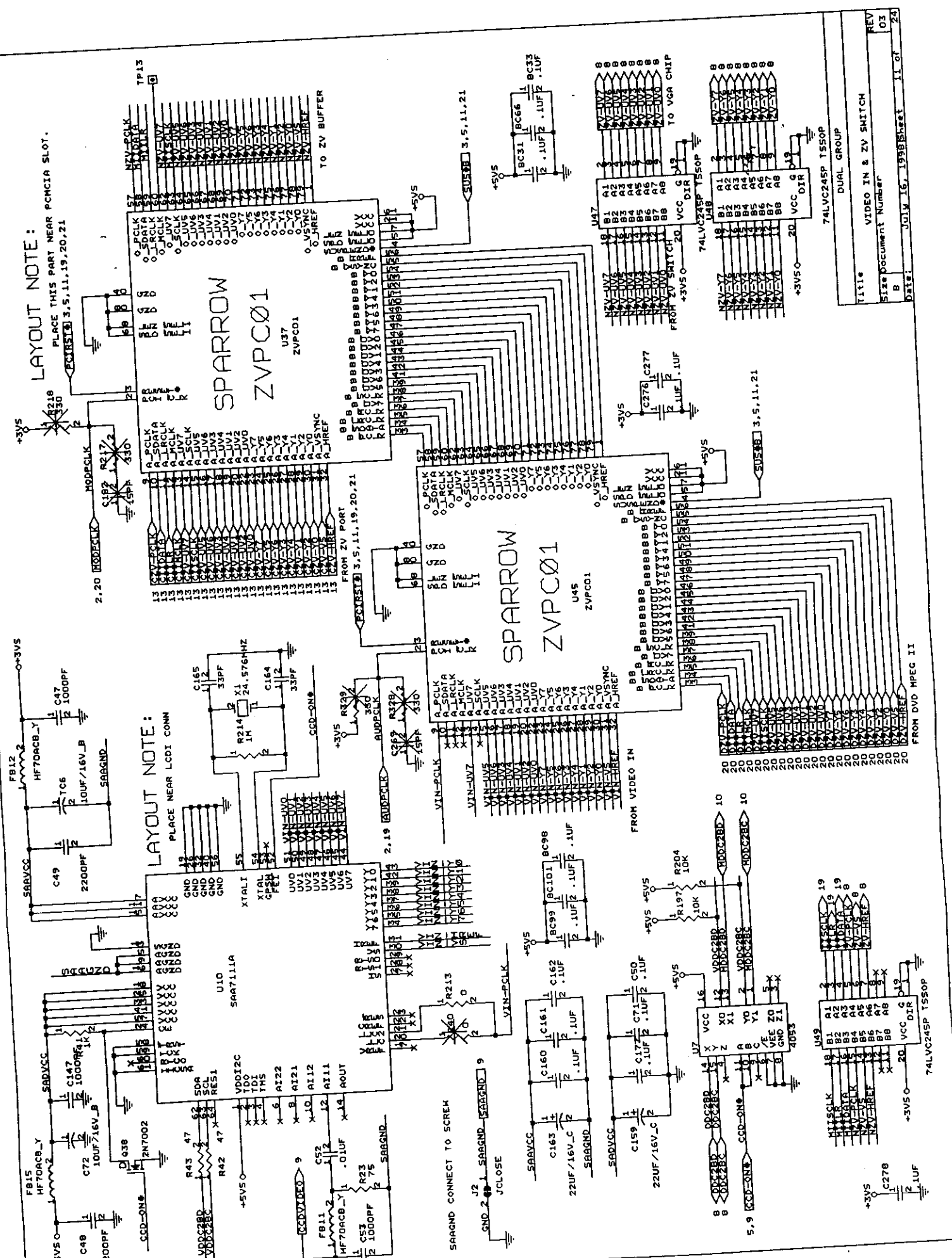






LAYOUT NOTE:  
PLACE THIS PART NEAR PCMCIA SLOT.

LAYOUT NOTE:  
PLACE NEAR LCDI CONN



Title	VIDEO IN & ZV SWITCH
Size	Document Number
Date	JULY 16, 1998 Sheet 11 of 24

FROM DVD MPEG II

FROM VIDEO IN

TO ZV BUFFER

TO VGR CHIP