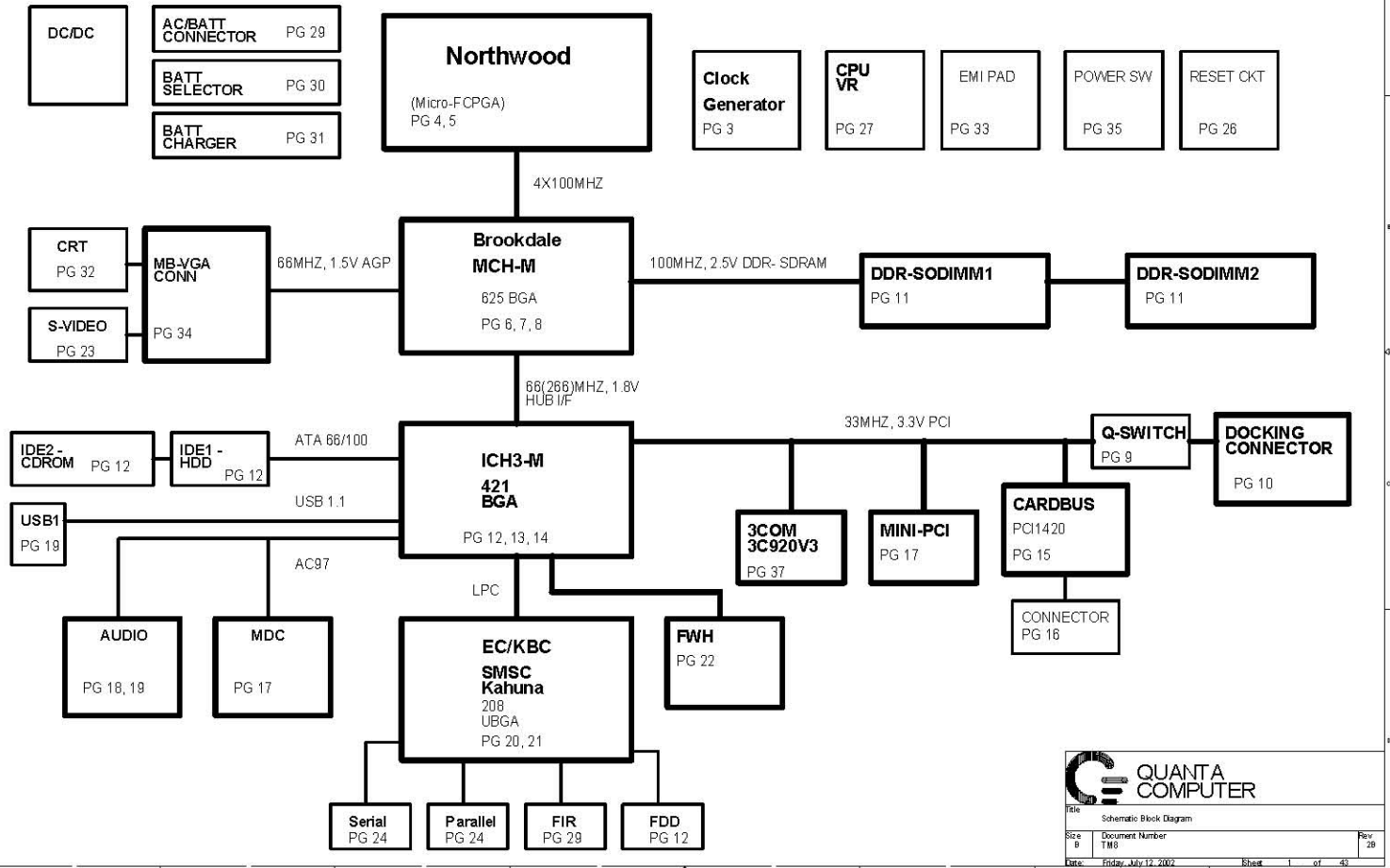


AVO



QUANTA COMPUTER

File	Schematic Block Diagram	
Size	Document Number	Rev
B	TMB	2B
Date:	Friday, July 12, 2002	Sheet 1 of 43

INDEX

Pg#	Description	DNI LIST
1	Schematic Block Diagram	
2	DNI, Power & Ground Index	
3	Clock Generator	
4-5	NORTHWOOD CPU	
6-8	GMCH3M	
9	Docking Buffers	
10	Docking Station Conn.	
11	DDR-SODIMM	
12-14	ICH3M	
15	Cardbus Controller PCI 1420	
16	Cardbus Connector	
17	MiniPCI	
18	AC97 Codec	
19	AUDIO & COM1 CONN.	
20-21	SMSC SIO LPC47N252	
22	FWH	
23	T/Pad, PS2 & LAN	
24	SERIAL & PARALLEL	
25	HDD & MOD POWER SWITCH	
26	RESET CIRCUIT	
27	CPU POWER	
28	1.2V, 1.5V, 1.8V, 2.5V power	
29	DCIN & BATTERY CONN.	
30	BATTERY SELECTOR	
31	BATTERY CHARGER	
32	S-VIDEO & CRT	
33	PAD & SCREW HOLE	
34	MB TO MMB CONN.	
35	DC/DC	
36	LAN(3C920V3)	
37	3COM LAN	

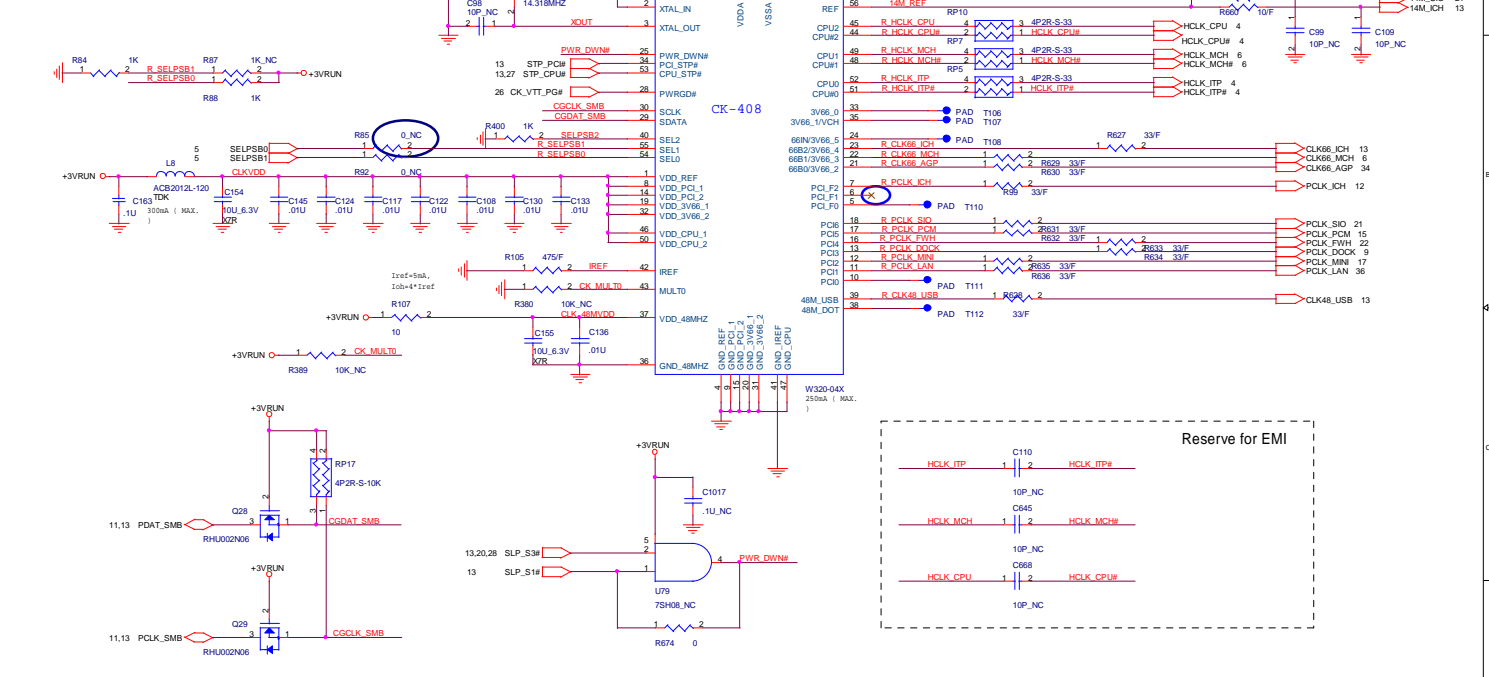
Power & Ground

Label	Pg#	Description	Control Signal
DC_IN+ 29,31		AC ADAPTER (20V)	
PBATT+ 29,30		MAIN BATTERY + (10-17V)	
PWR_SRC 10,25,27,28,29,30,34,35		MAIN POWER (10-20V)	
RTC_PWR3_3V 13,20,35		RTC & PCL POWER (3.3V)	
+12V 10,16,25,29,34,35		+12V	DRUNPWRC
VHCORE 4,5,6,12,27,35		CPU CORE POWER	RUNPWROK
V1_2VRUN 5,27		AGTL+ POWER (1.2V)	RUNPWROK
+3VRUN 3,4,5,9,12,14,15,17,18,20,22,23,25,26,27,29,32,34,36		SLP_S3# CTRLD POWER	RUN_ON
+3VSUS 7,11,13,14,15,16,17,19,20,22,25,26,27,28,34,35,36,37		SLP_S5# CTRLD POWER	SUS_ON
+5VALW 10,21,26,27,28,29,34,35		8051 POWER (5V)	
+5VRUN 9,13,14,17,21,23,24,25,26,27,29,32		SLP_S3# CTRLD POWER	RUN_ON
+5VSUS 10,14,16,18,19,24,25,26,28,34,35,37		SLP_S5# CTRLD POWER	SUS_ON
+5VHDD 12,25		HDD POWER (5V)	HDDC_EN#
+5VMOD 12,25		MODULE POWER (5V)	MODC_EN#
STRB#5V 10,24,25		EXTERNAL FDD POWER (5V)	FDD1LPT#
VCCFAN1 25		FAN POWER (5V)	FAN1_PWM
VCCFAN2 25		FAN POWER (5V)	FAN2_PWM
VDDA 18,19		AUDIO ANALOG POWER (5V)	RUN_ON
1.8VSUS 14,25,26,28		RESUME WELL IN ICH	
1.8VRUN 6,13,14,25,27		SLP_S3# CTRLD POWER	
+3VALW 20,21,22,29,35		8051 POWER (3V)	
V1_5VRUN 6,7,14,22,25,34		AGP I/O POWER	
+2_5VSUS 6,8,11,28		DDR MEMORY POWER	
SMDDR_VTERM 8,28		DDR BUS TERMINATION POWER	
GND ALL PAGES		DIGITAL GROUND	
AGND 18,19,33		AUDIO GND	
LANGND 37		COMBO CONN GND	



Title		Index, DNI, Power & Ground
Size	Document Number	Rev
B	TM8	2G
Date	Friday, July 12, 2002	Sheet 2 of 43

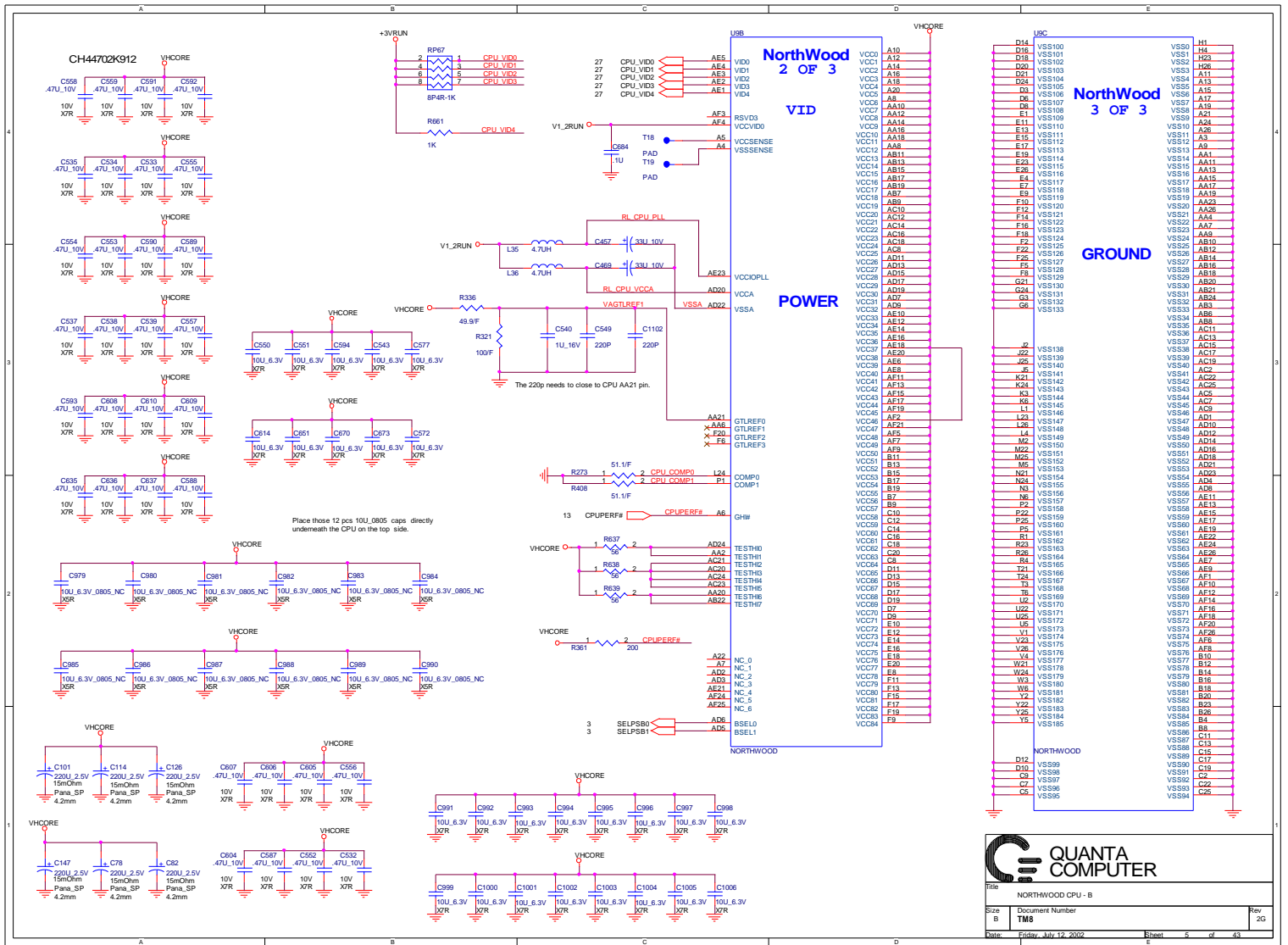
S2	S1	S0	CPU	3V66[0..4]	3V66_5/66IN
1	0	0	66	66N	66 Input
1	0	1	100	66N	66 Input
1	1	0	200	66N	66 Input
1	1	1	133	66N	66 Input
0	0	0	66	66	66 Input
0	0	1	100	66	66 Input
0	1	0	200	66	66 Input
0	1	1	133	66	66 Input

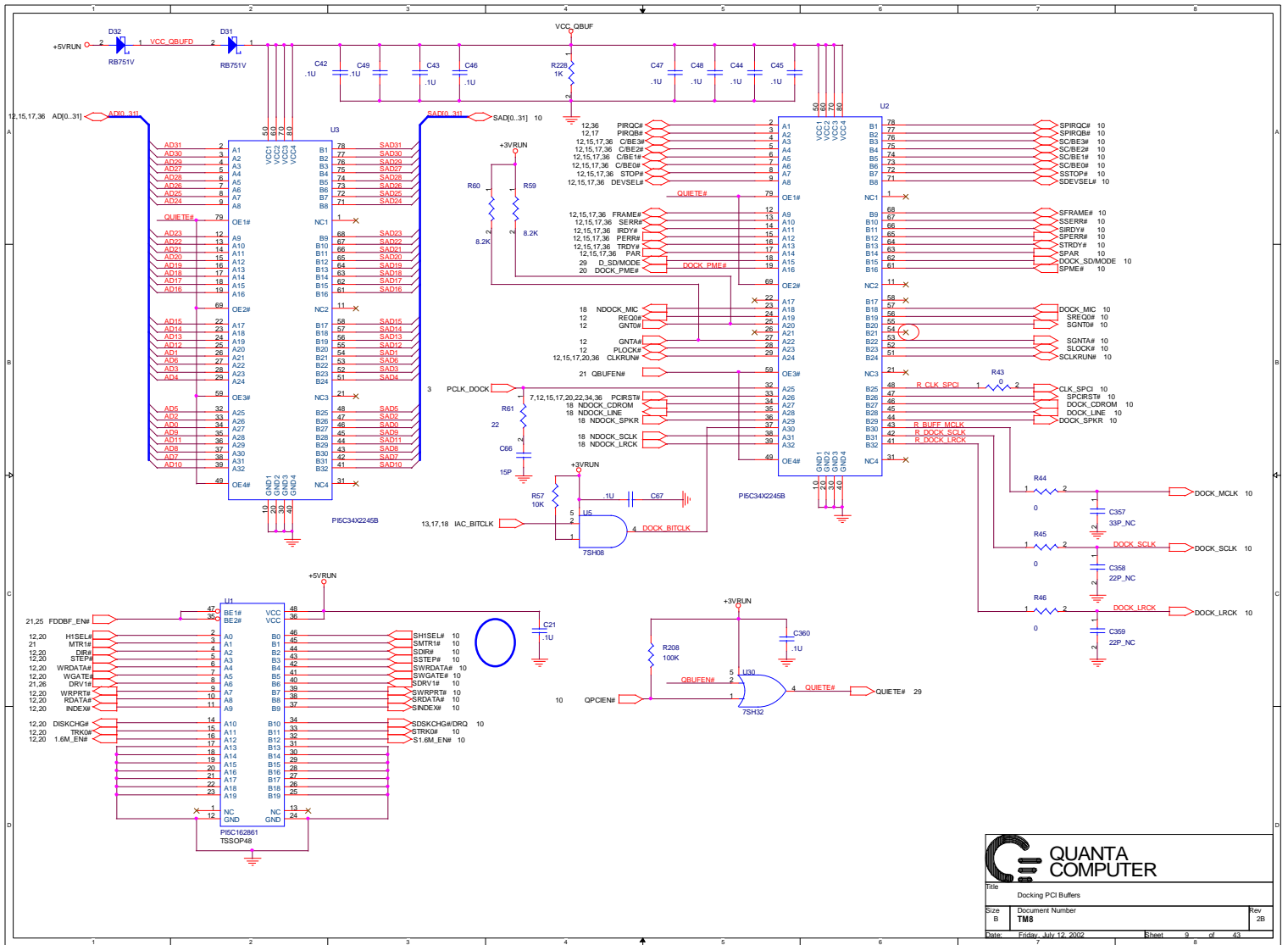


These are for backdrive issue

QUANTA COMPUTER

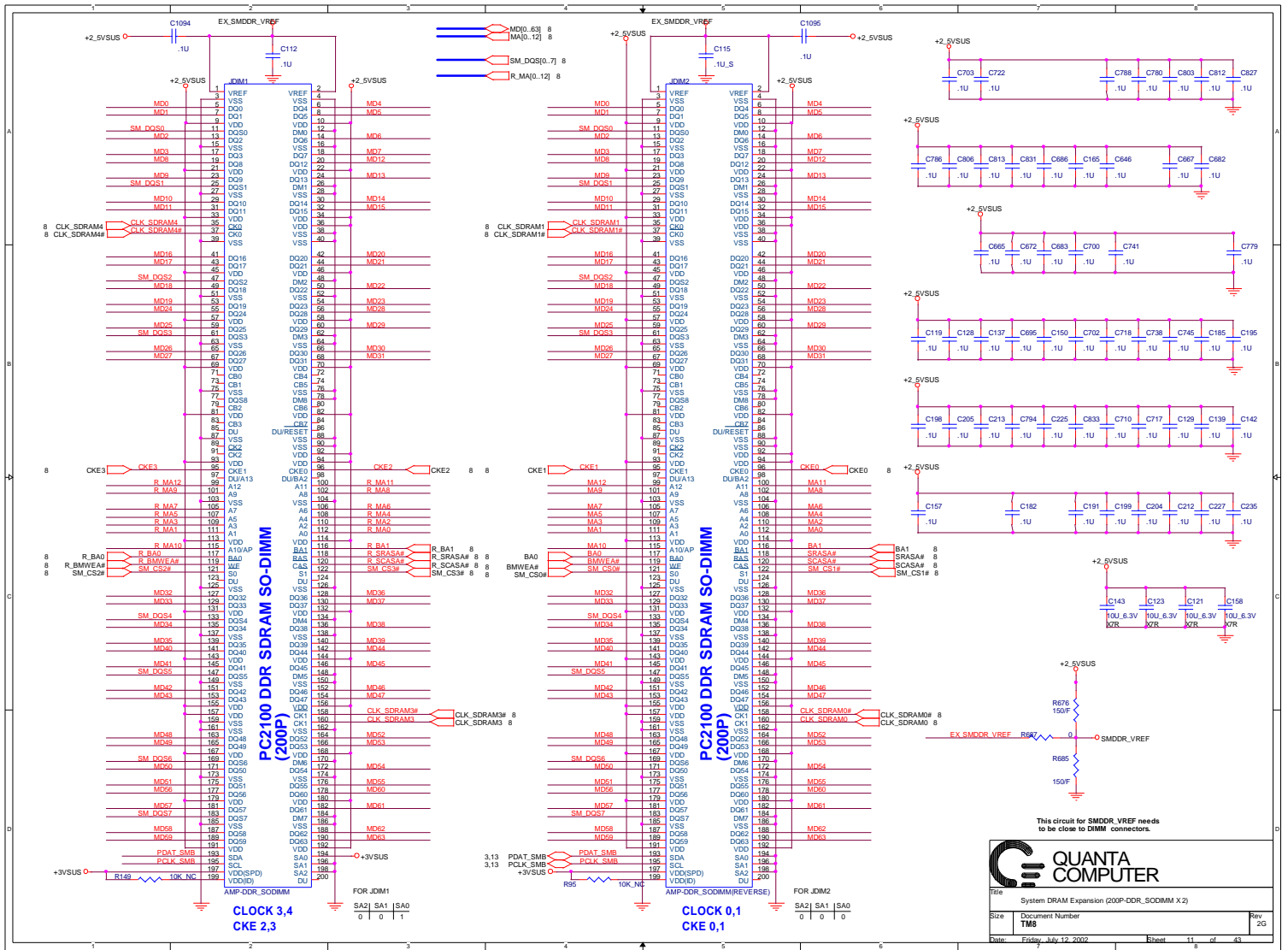
Title: Clock Generator
 Size: B Document Number: TM8 Rev: 2G
 Date: Friday, July 12, 2002 Sheet: 3 of 43

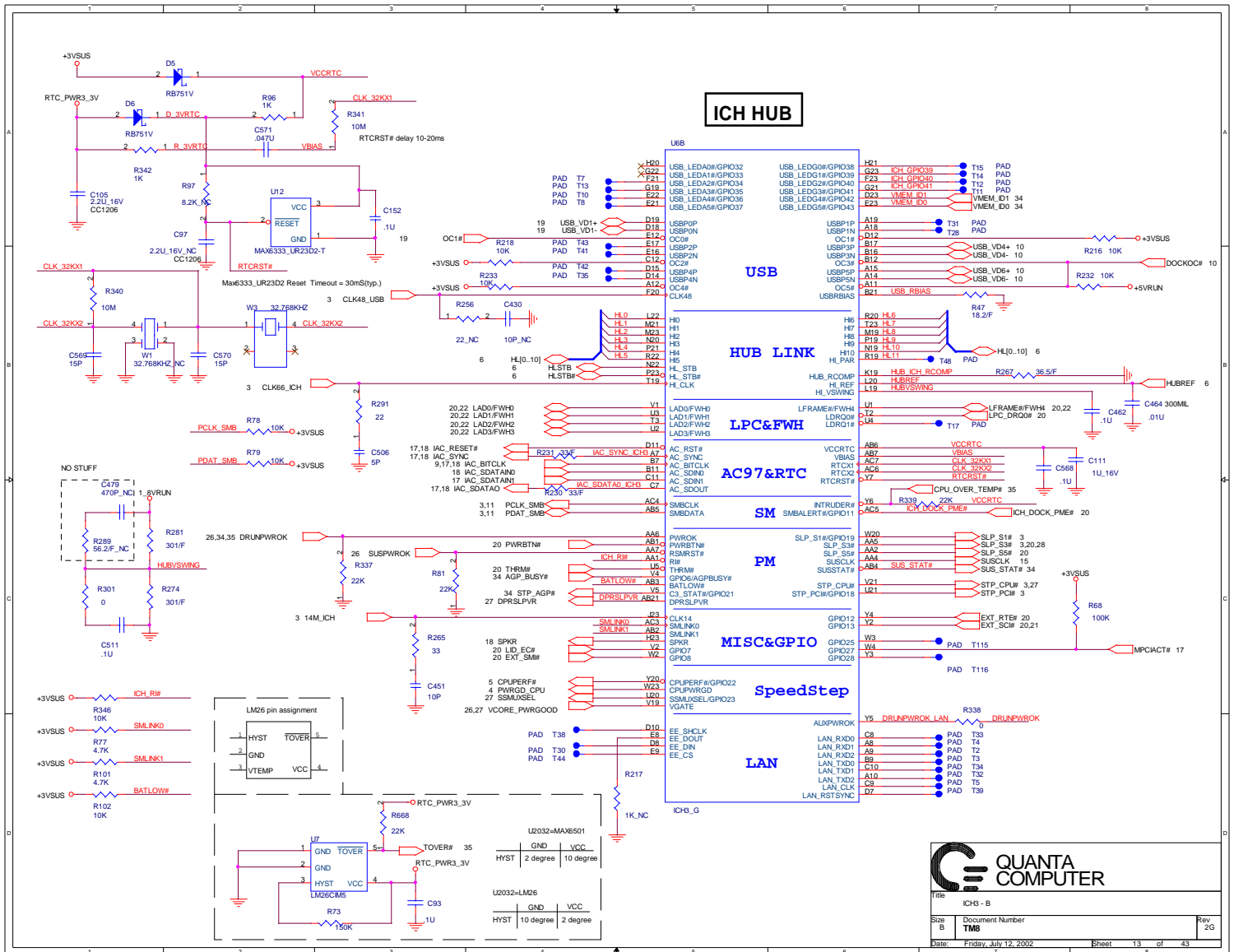


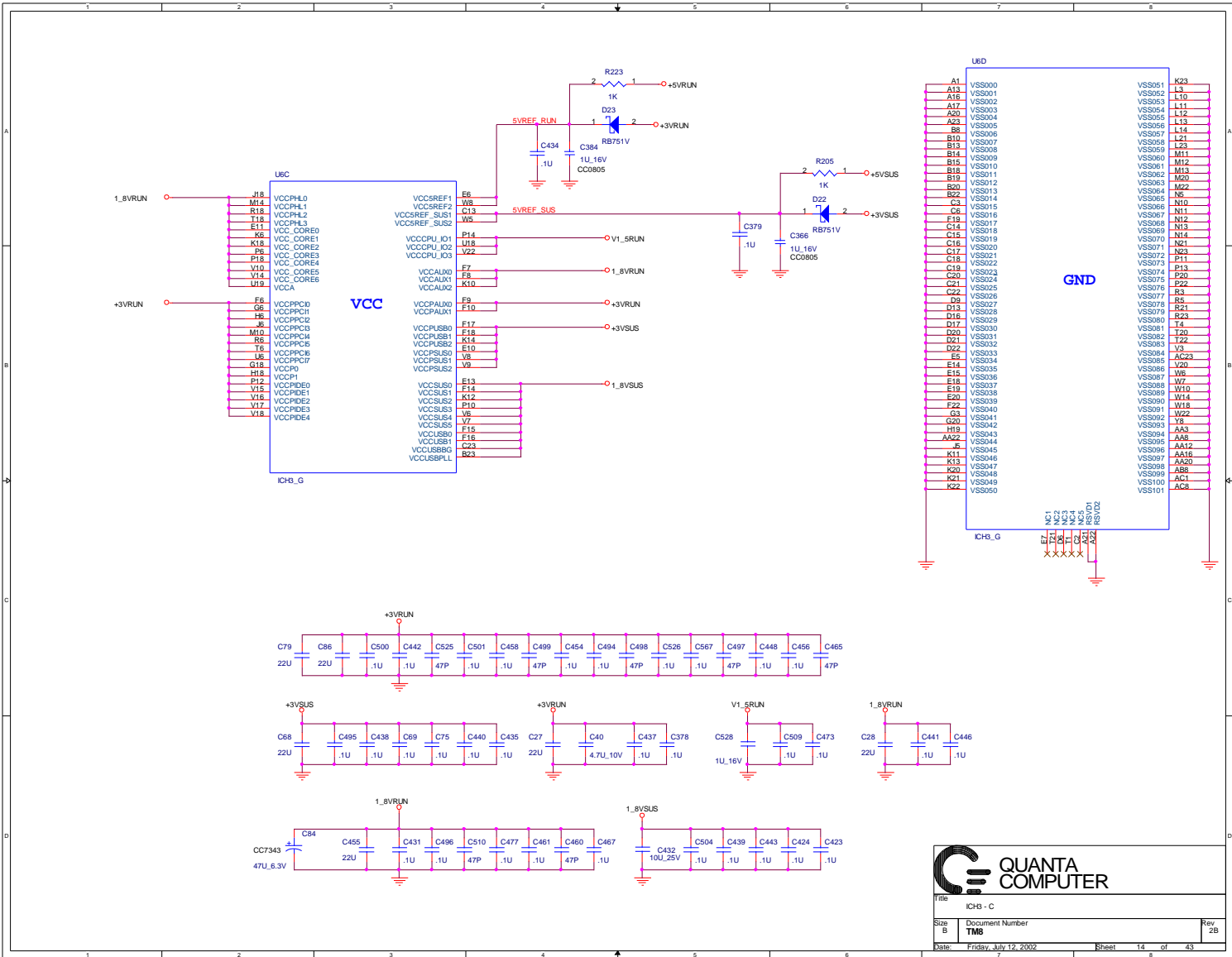


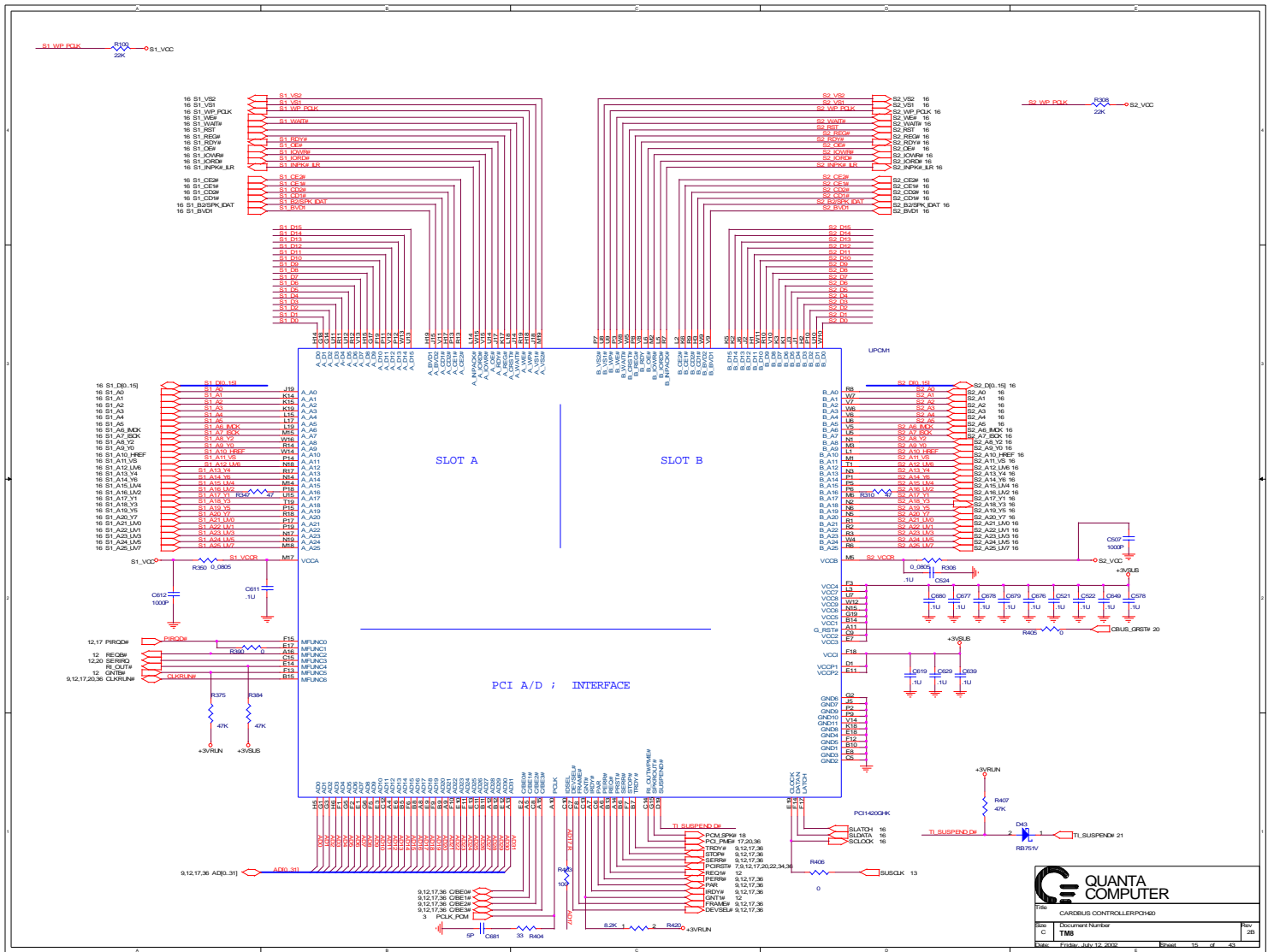
QUANTA COMPUTER

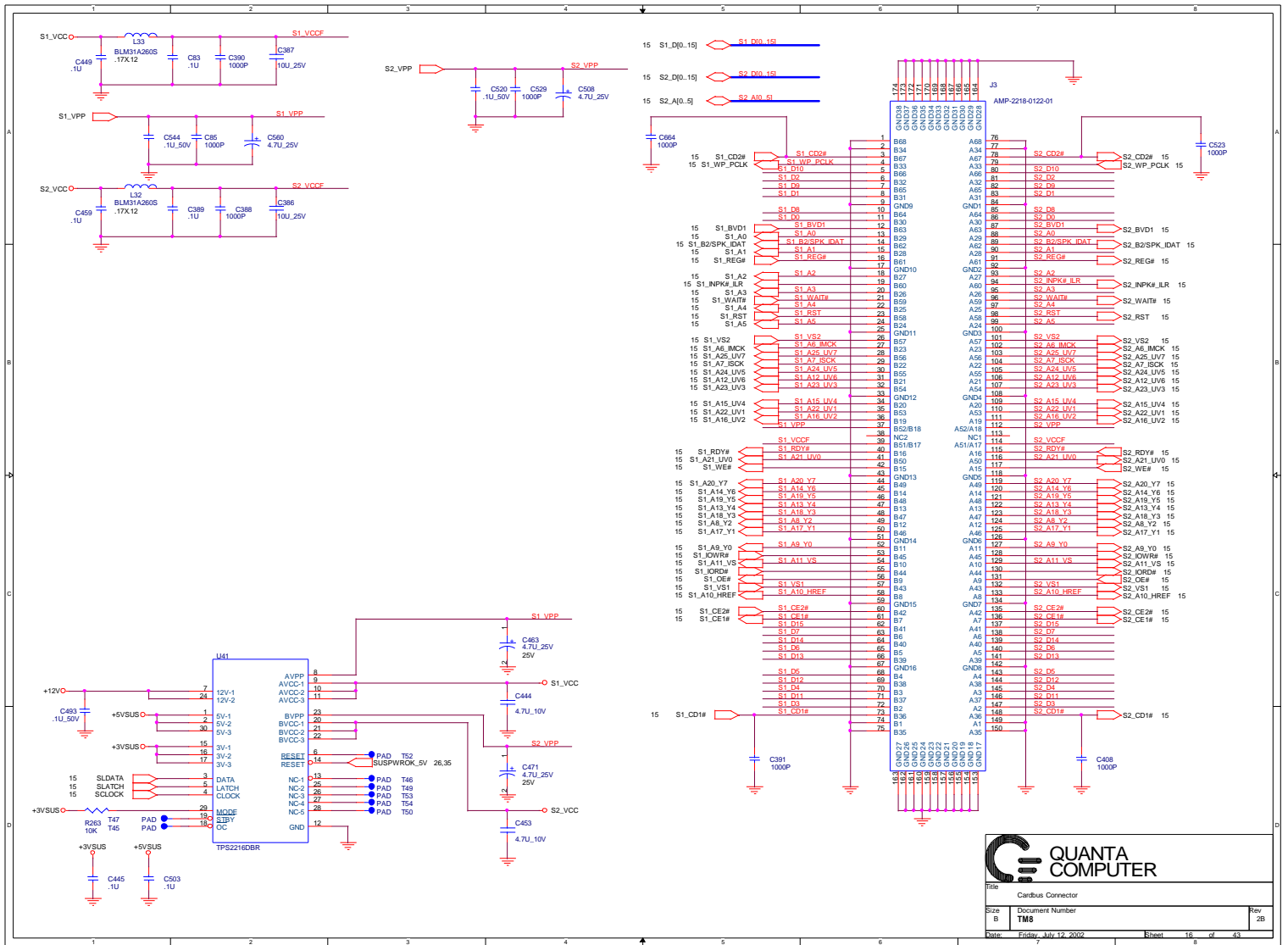
File	Docking PCI Buffer	
Size	Document Number	Rev
B	TM8	2B
Date	Friday, July 12, 2002	Sheet 9 of 43





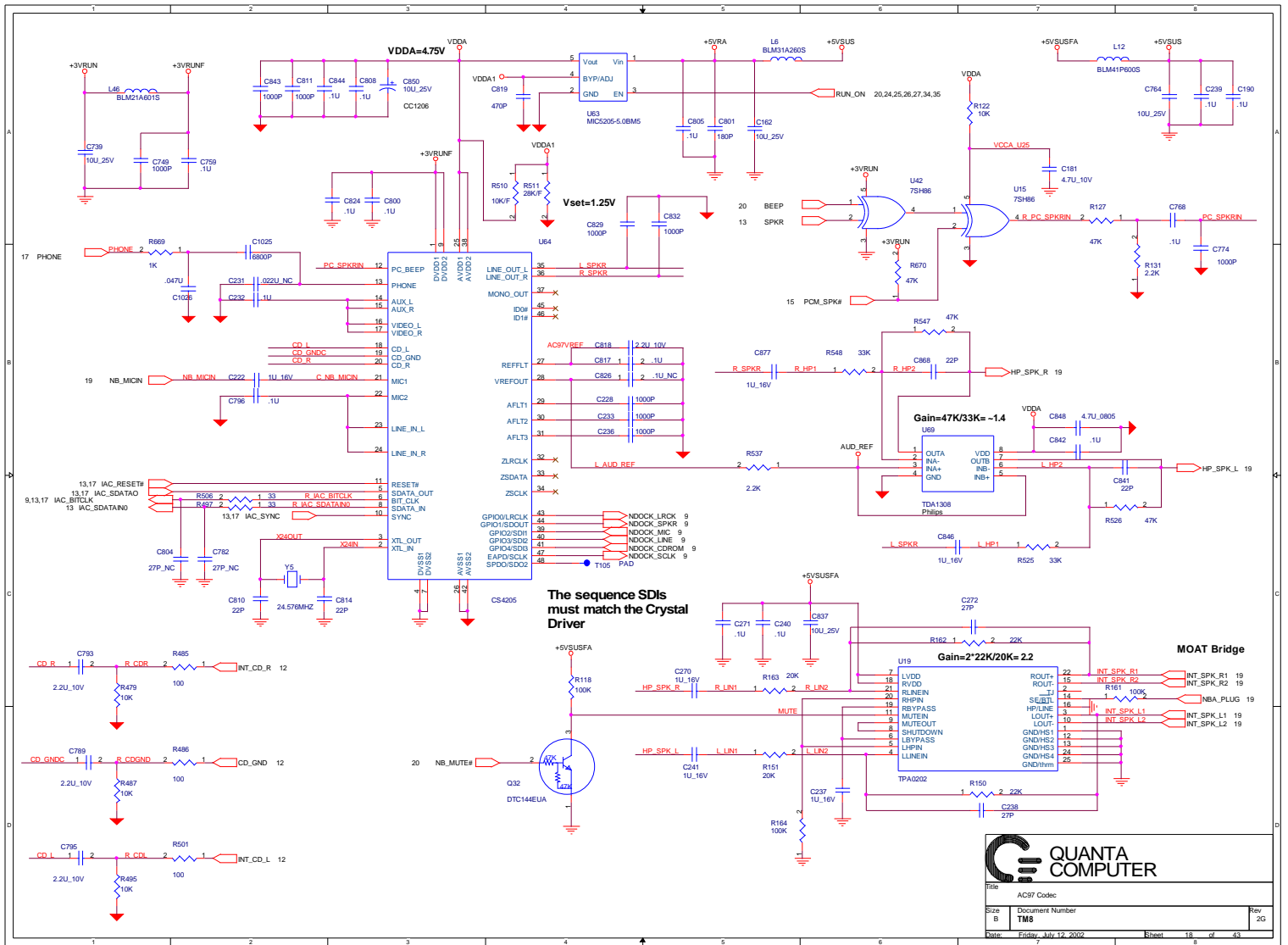


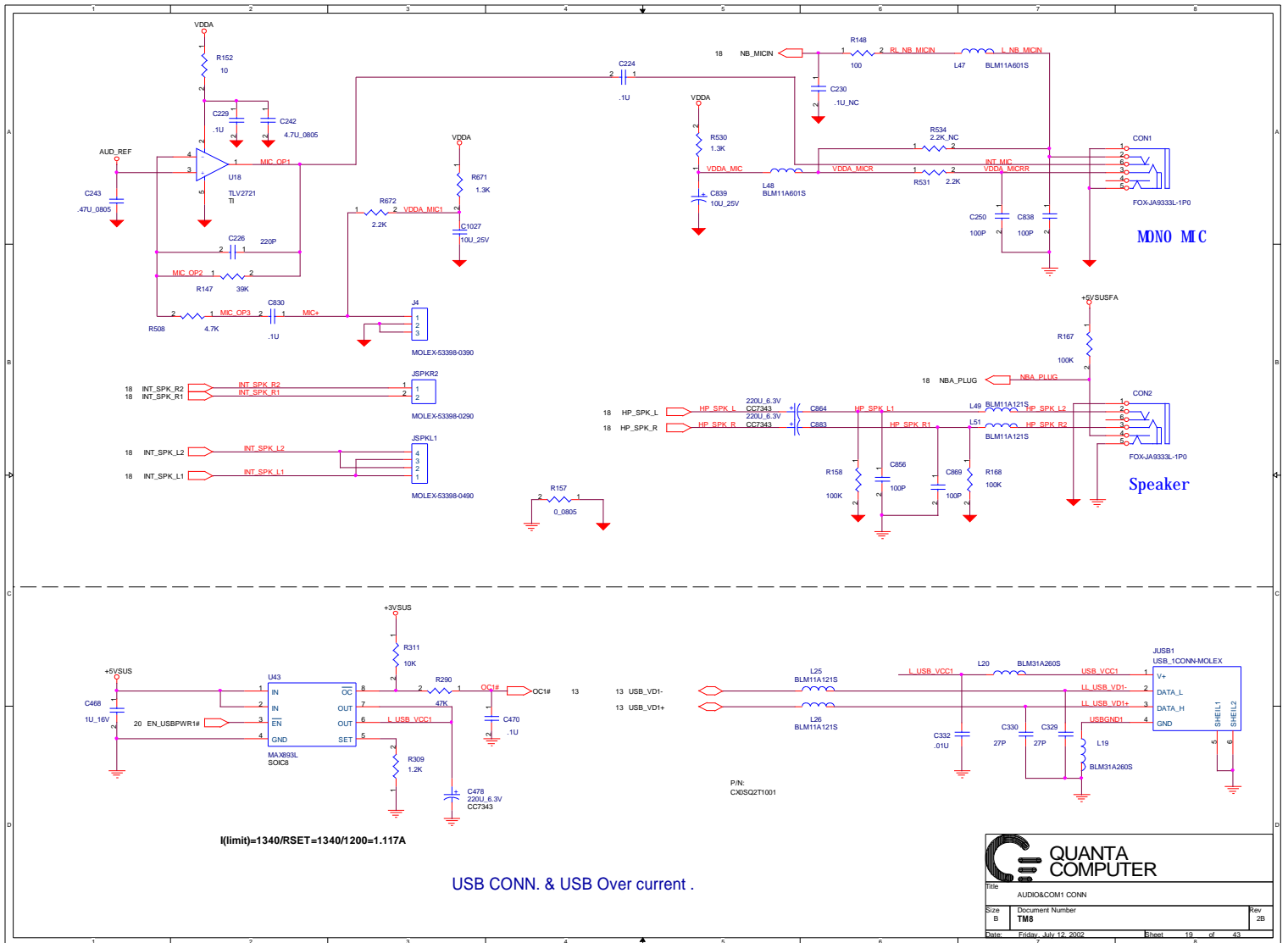




QUANTA COMPUTER

File: Cardbus Connector
 Size: B
 Document Number: TM8
 Date: Friday, July 12, 2002
 Sheet: 16 of 43
 Rev: 2B



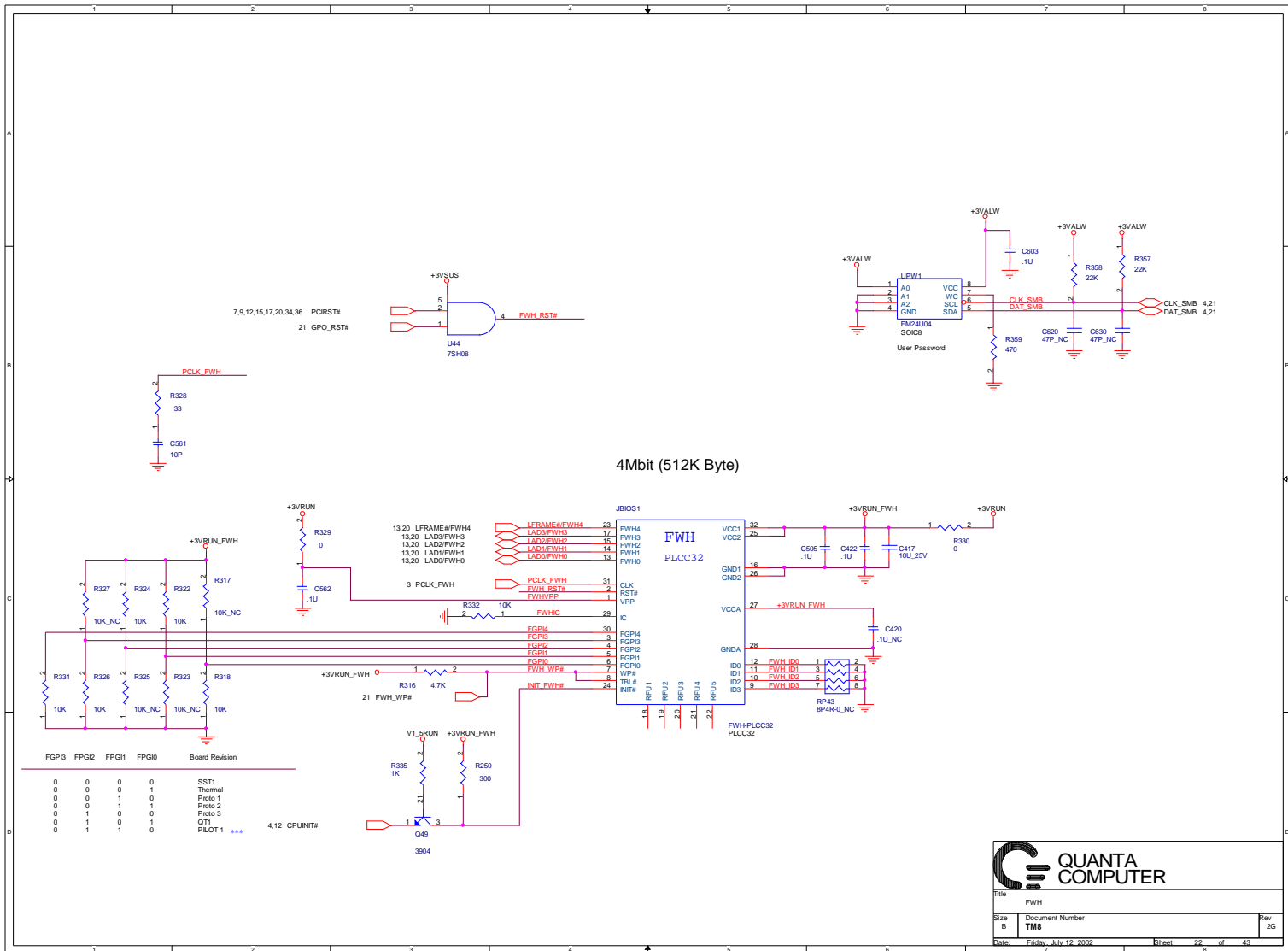


QUANTA COMPUTER

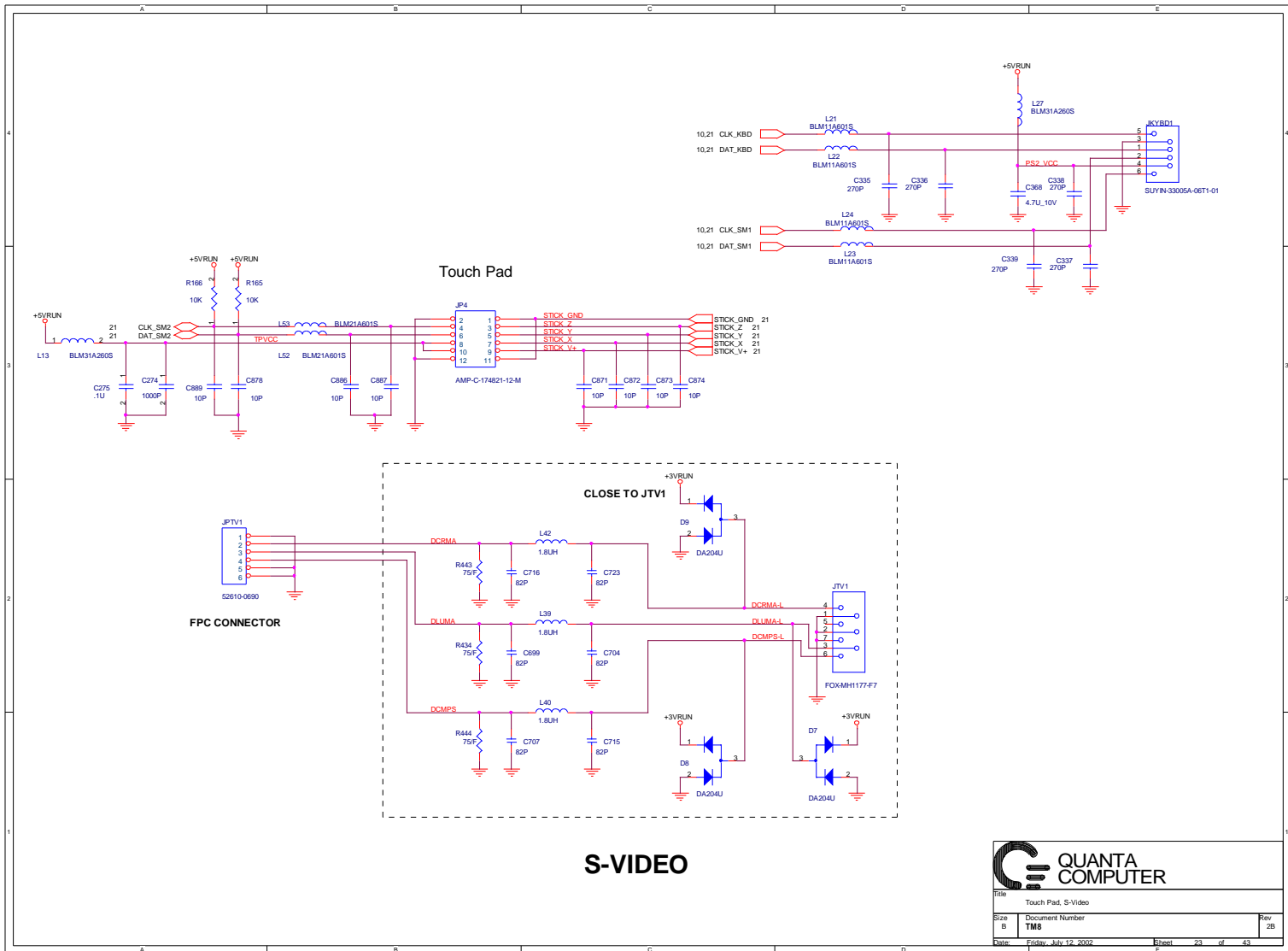
FILE: AUDIO&COM1 CONN

Size B Document Number **TM8** Rev 2B

Date: Friday, July 12, 2002 Sheet 19 of 43

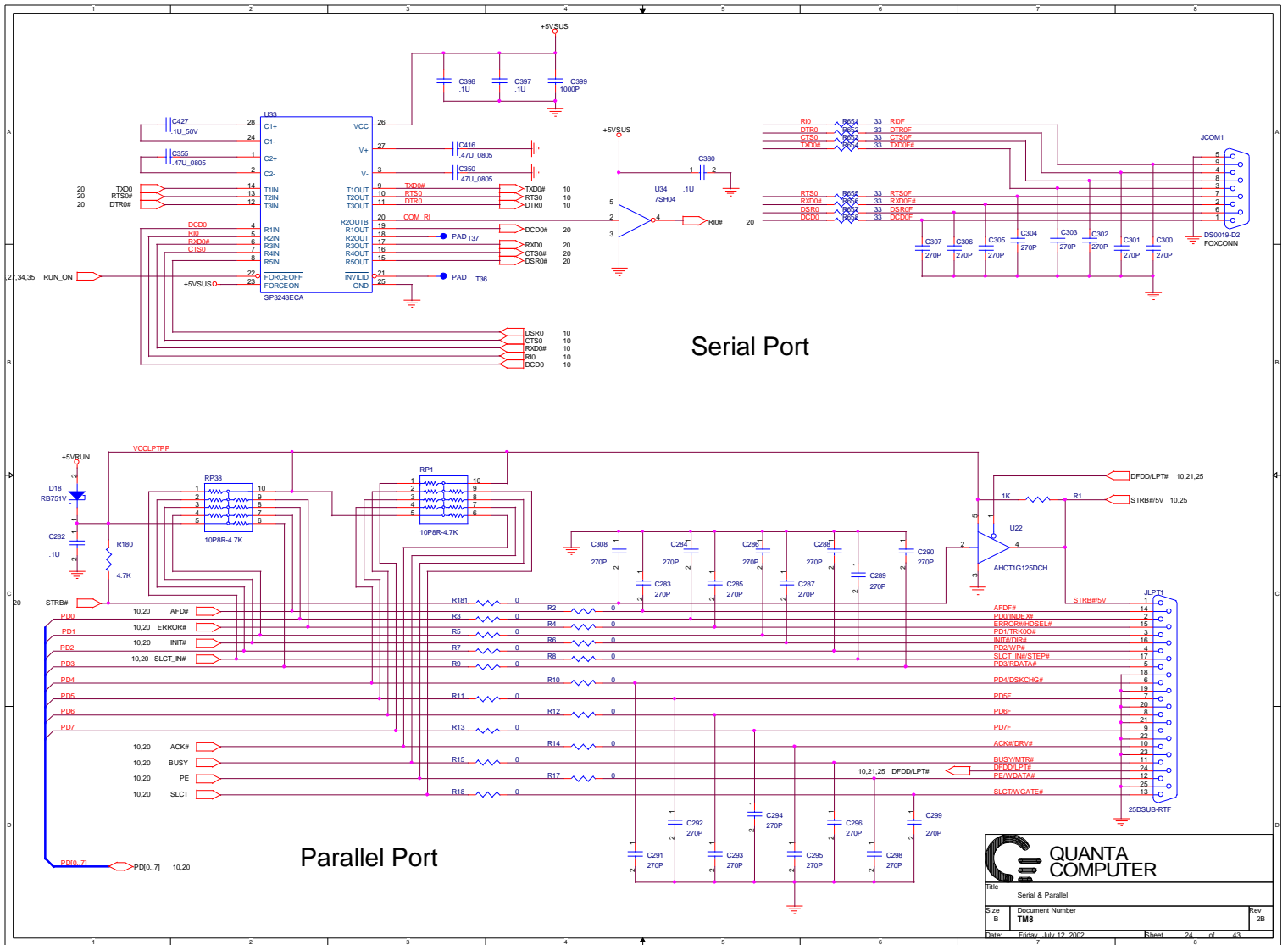


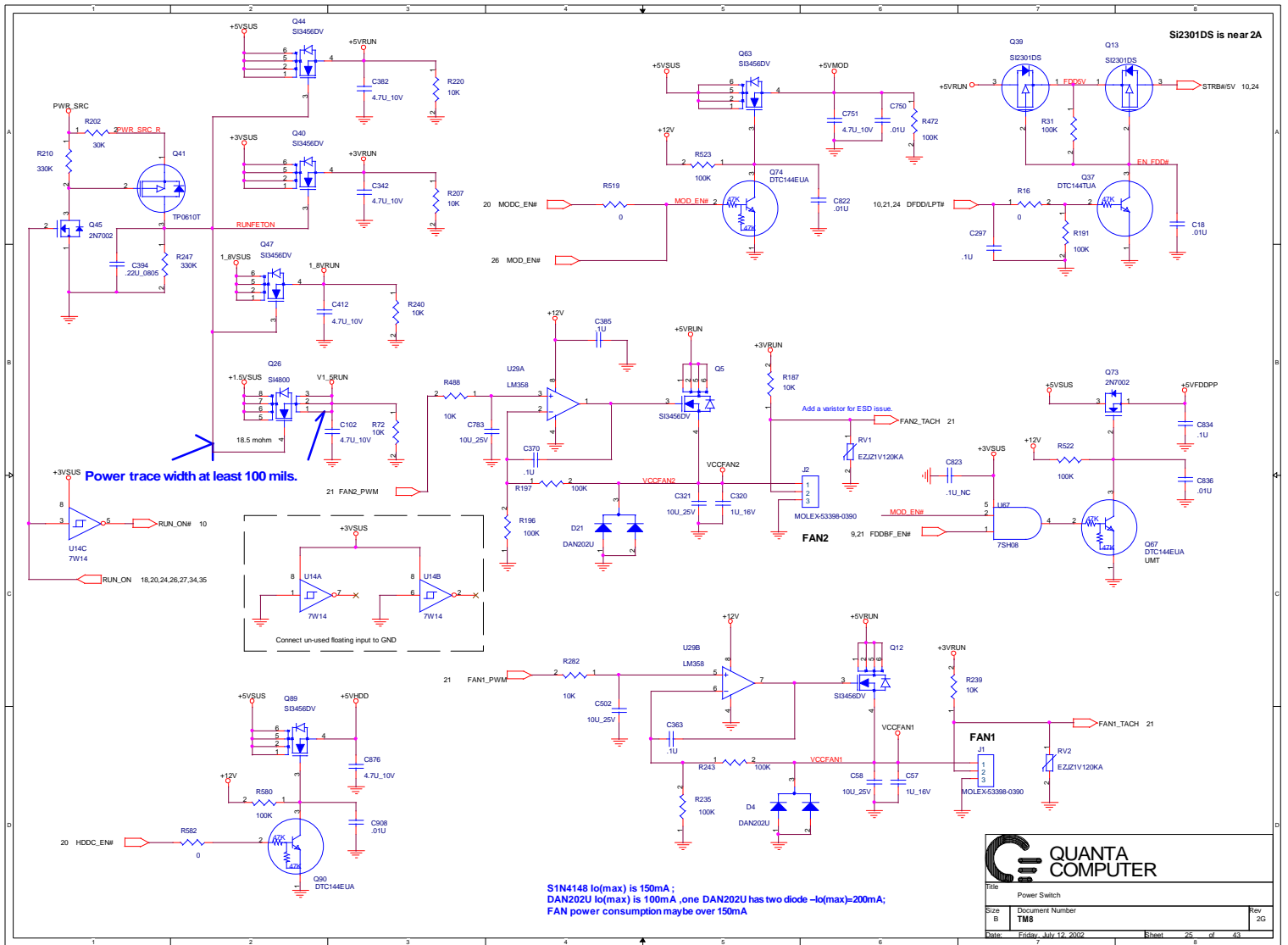
Title	FWH	Rev	2G
Size	Document Number		
	TM8		
Date	Friday, July 12, 2002	Sheet	22 of 43



QUANTA COMPUTER

Title	Touch Pad, S-Video	
Size	Document Number	Rev
B	TM8	2B
Date	Friday, July 12, 2002	Sheet 23 of 43

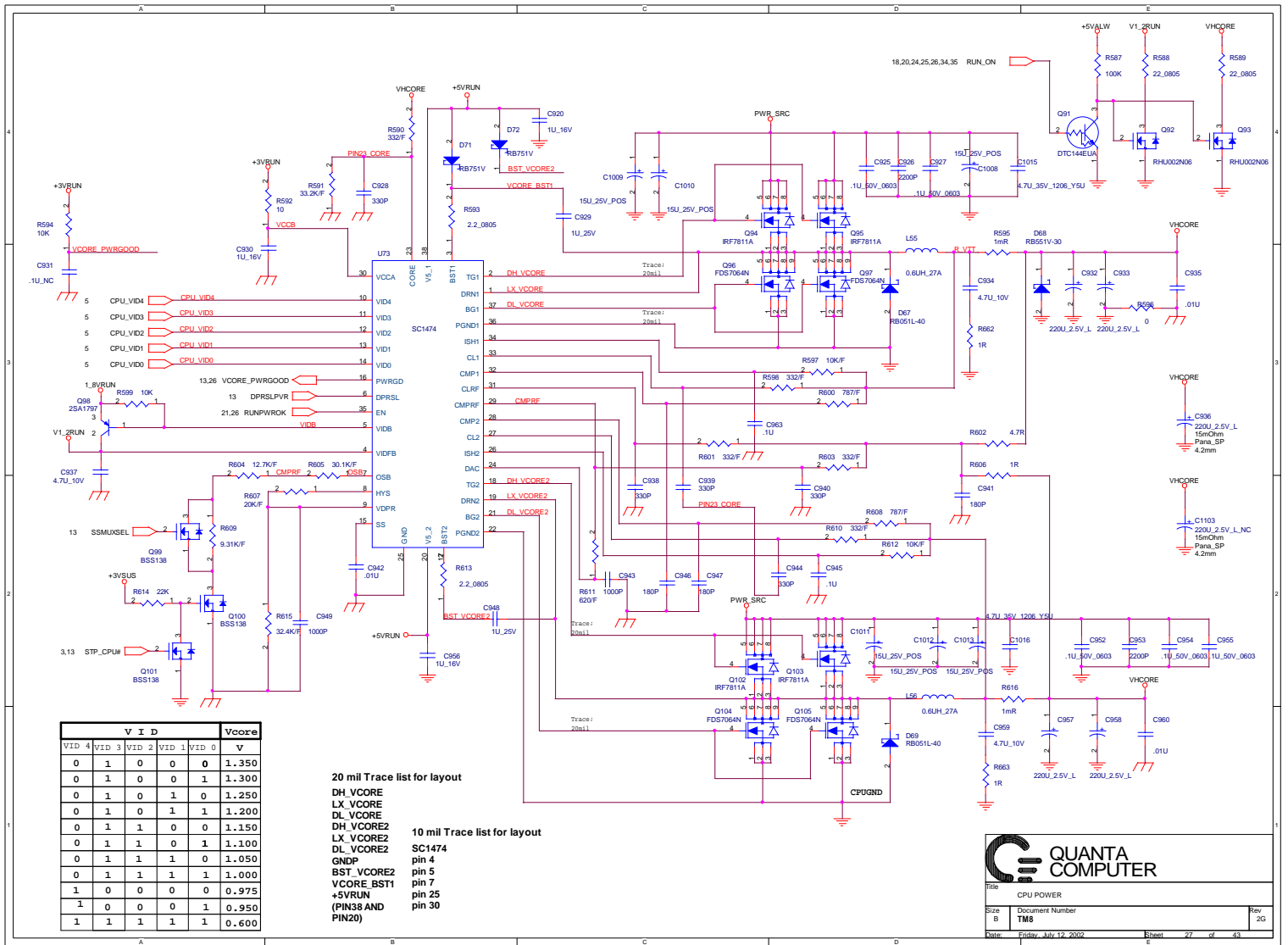


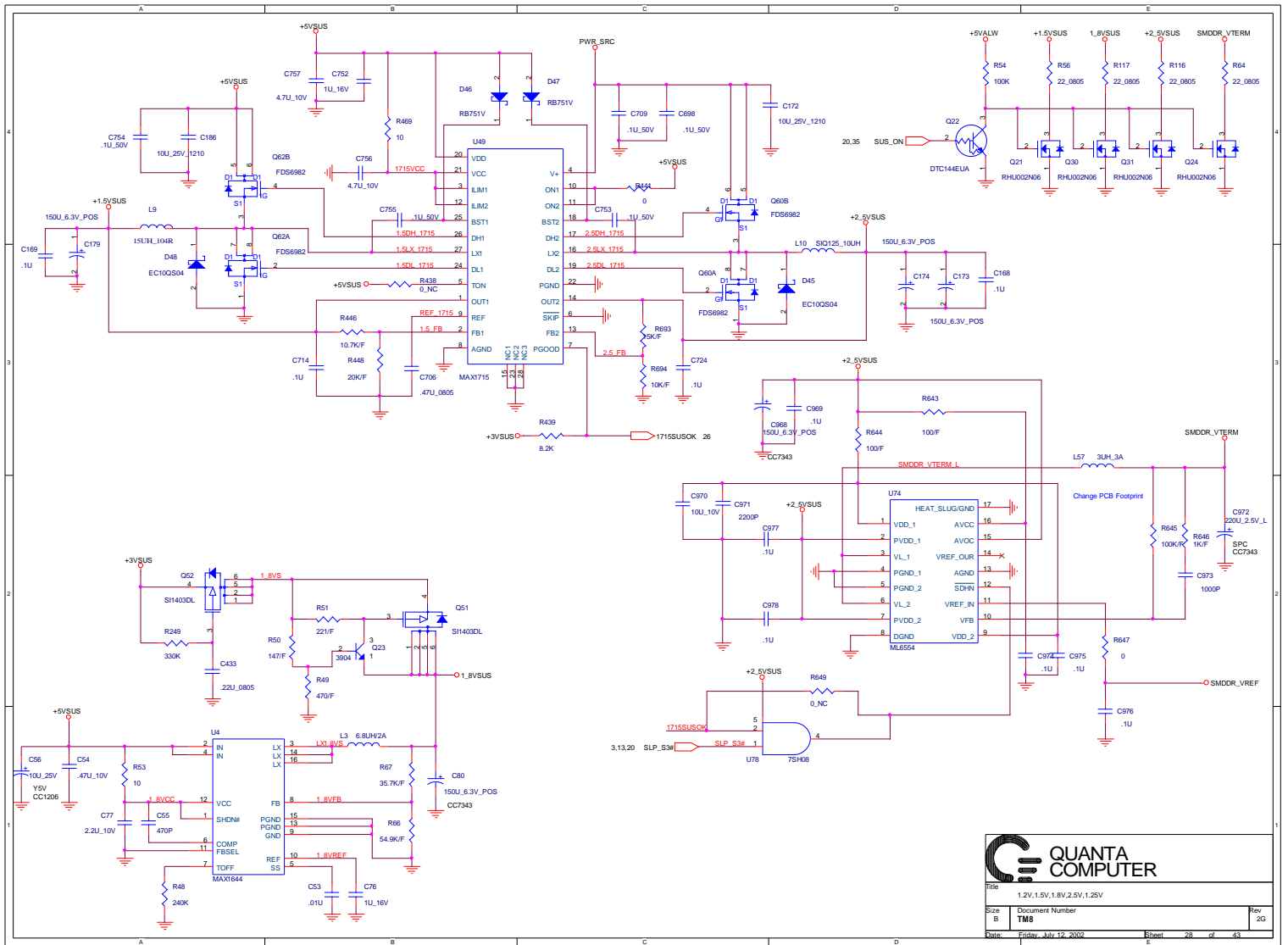


S1N4148 I_{o(max)} is 150mA ;
 DAN202U I_{o(max)} is 100mA ,one DAN202U has two diode -I_{o(max)}=200mA;
 FAN power consumption maybe over 150mA

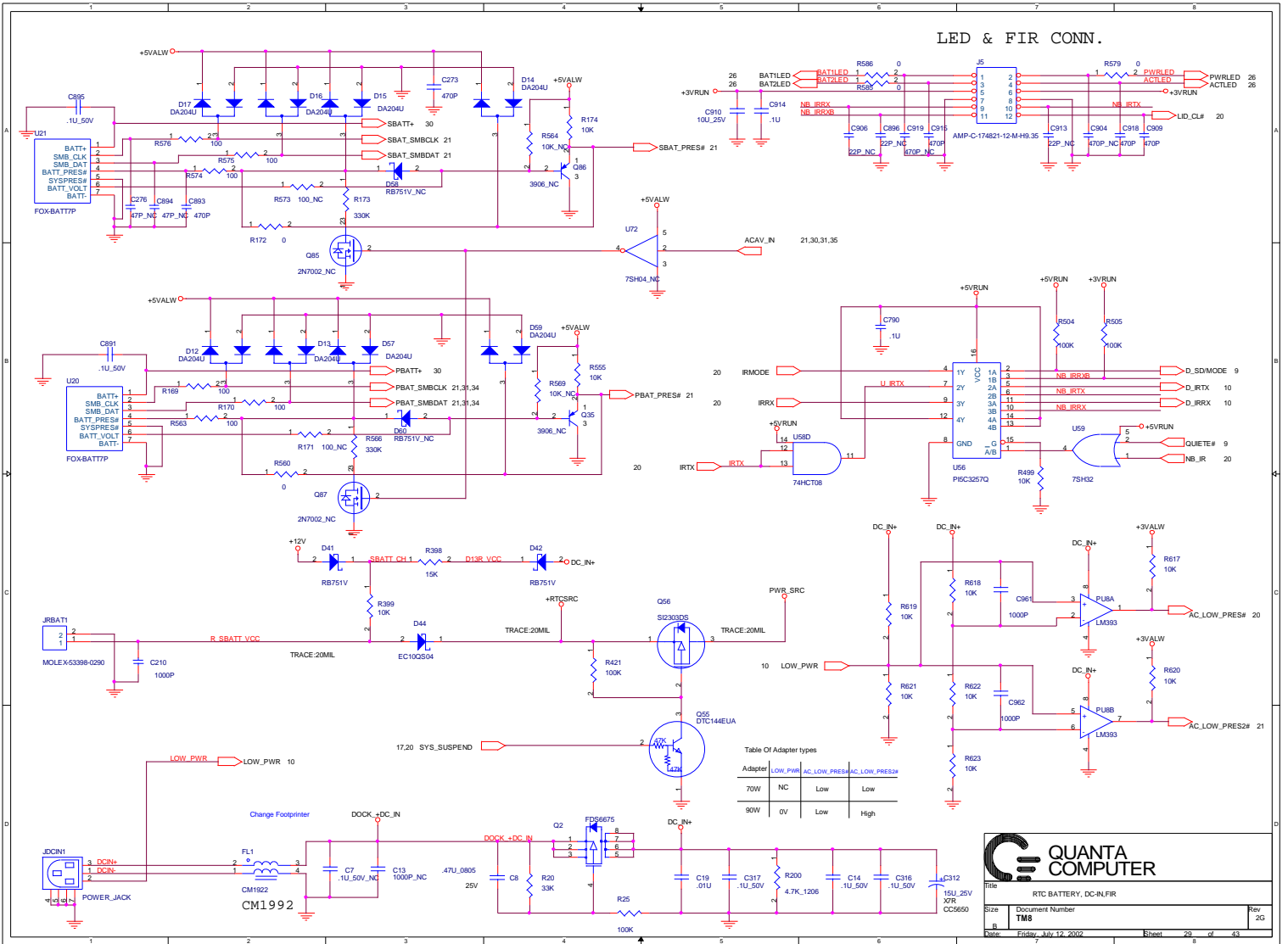


Title	Power Switch	Rev	2G
Size	Document Number	TM8	
Date	Friday, July 12, 2002	Sheet	25 of 43





LED & FIR CONN.

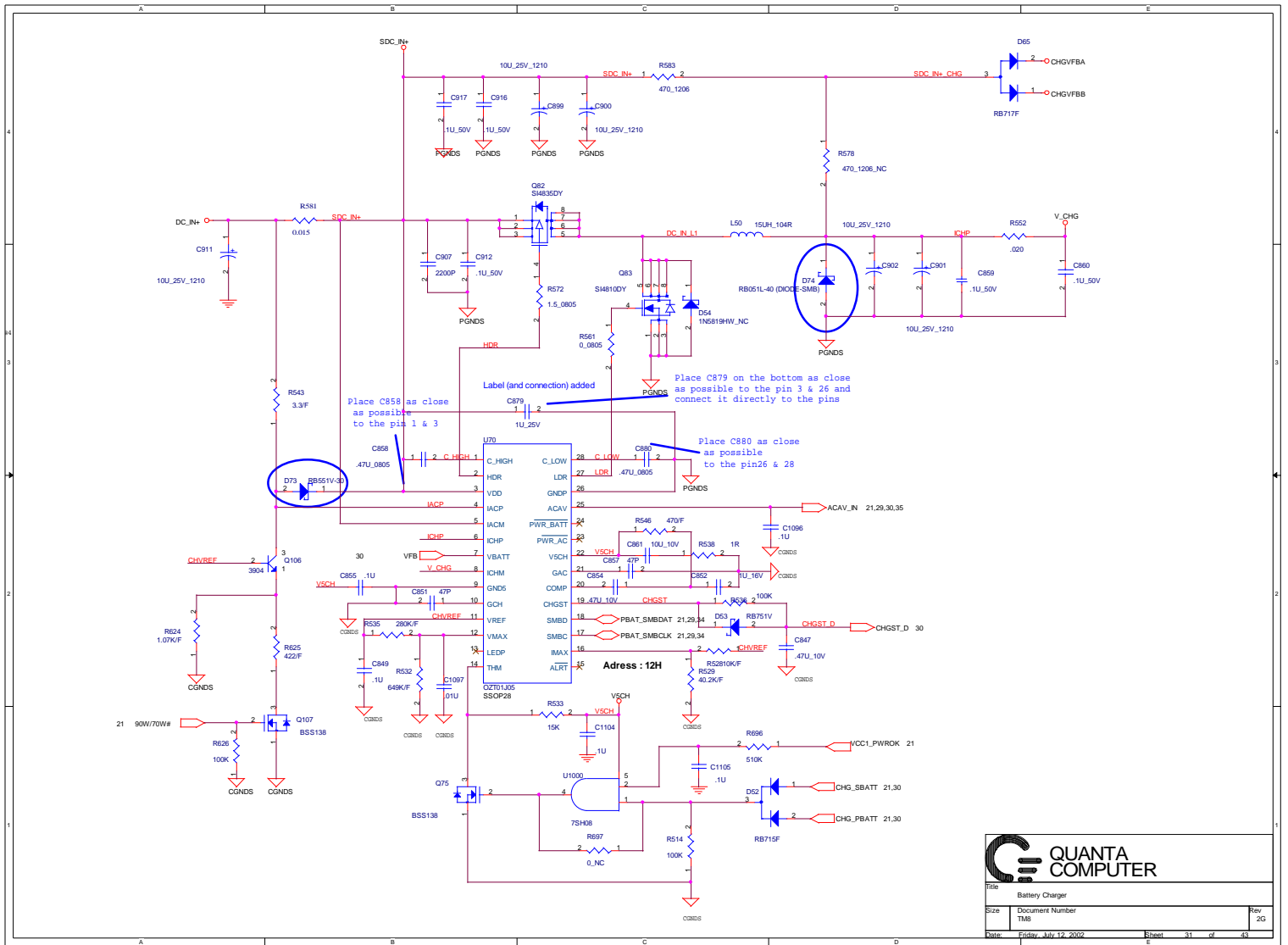


QUANTA COMPUTER

File: RTC BATTERY, DC-IN/FIR

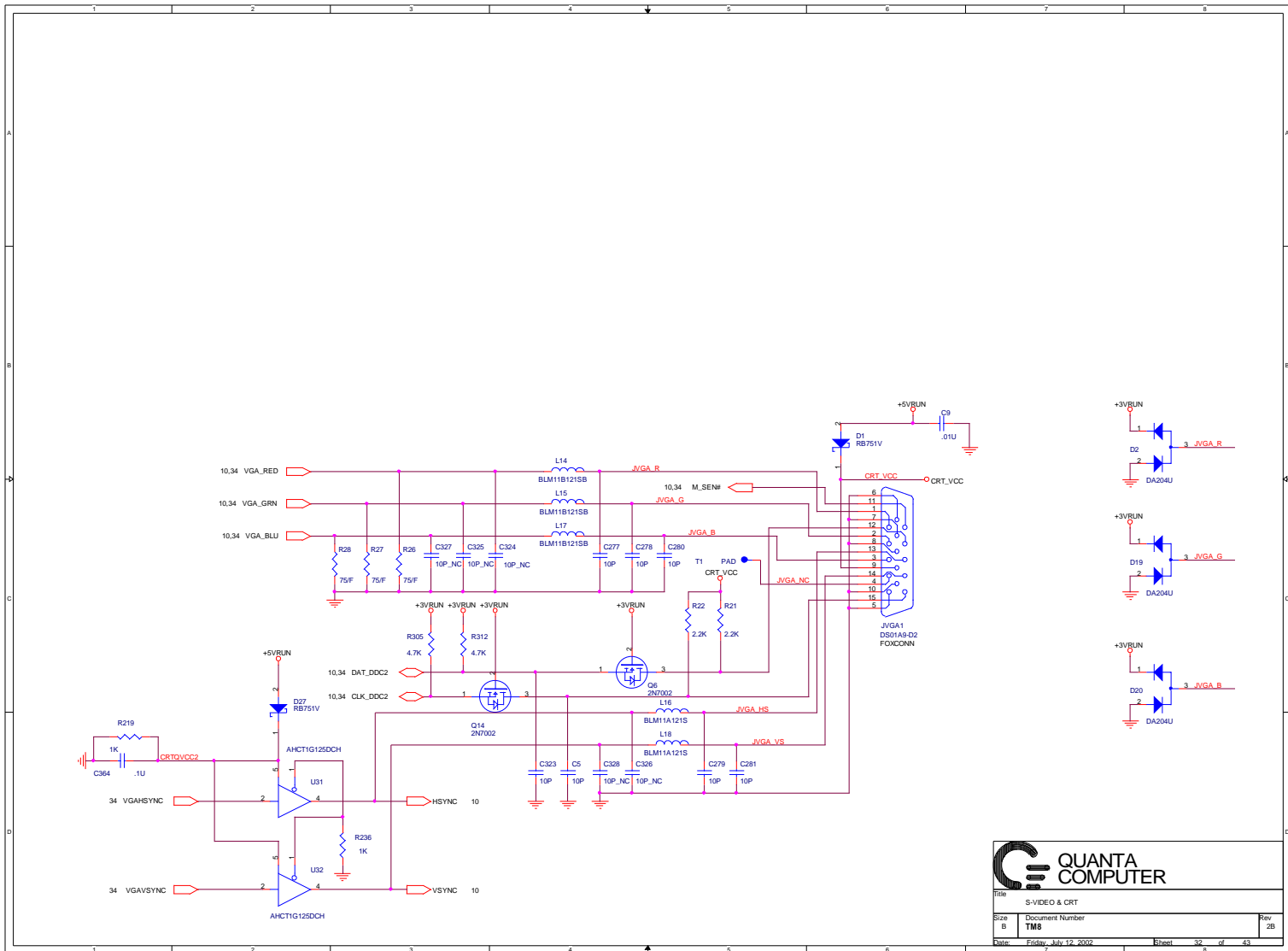
Size: Document Number
TM8

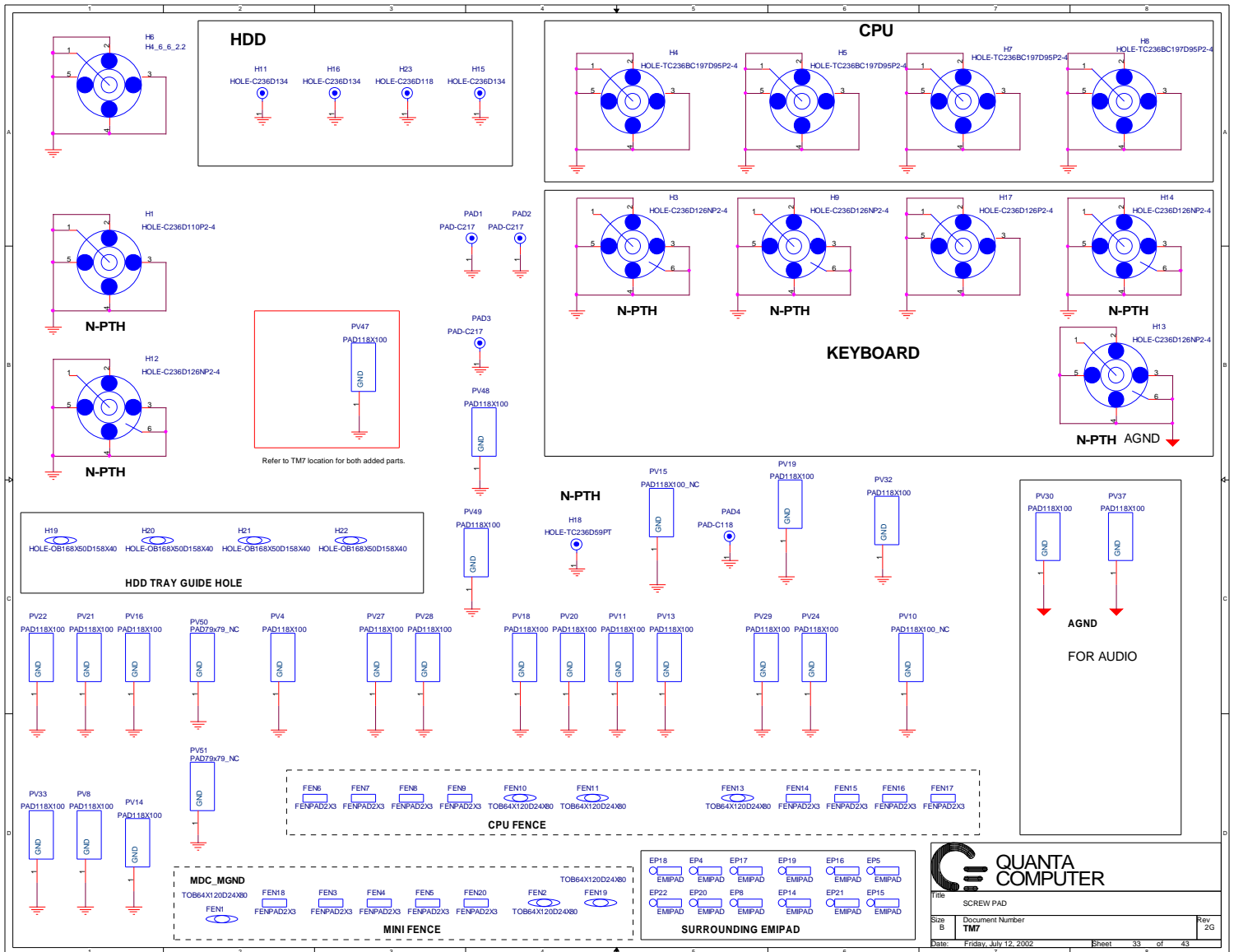
Date: Friday, July 12, 2002 Sheet: 29 of 43 Rev: 2G



QUANTA COMPUTER

Title	Battery Charger	Rev	2G
Size	Document Number TMB		
Date	Friday, July 12, 2002	Sheet	31 of 43





QUANTA COMPUTER

Size B Document Number **TM7** Rev 2/G

Date: Friday, July 12, 2002 Sheet 33 of 43

