

QUICKSPECS

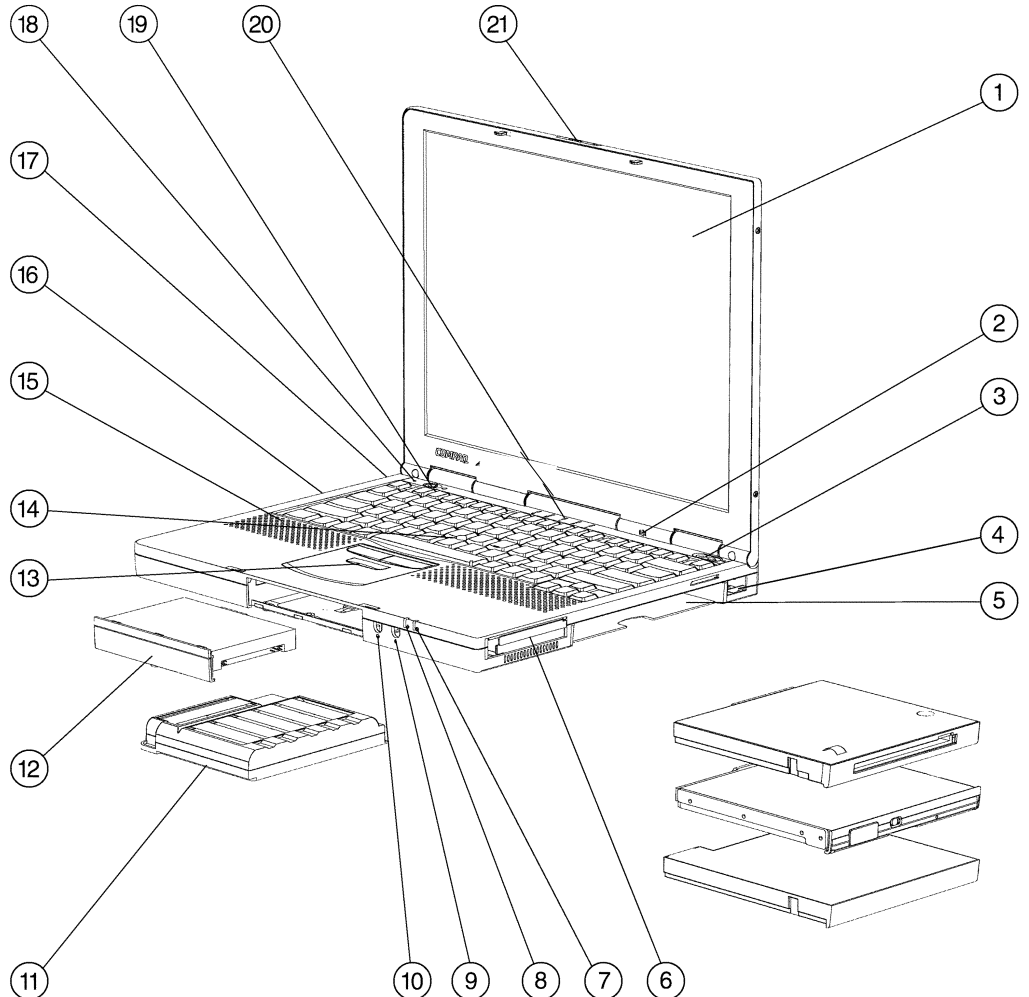
Overview

AT A GLANCE

- Immediate out-of-box productivity with pre-installed software like Microsoft Office Small Business, and access to convenient Compaq Online Services
- 8-MB Video SDRAM
- Weight starting at 5.3 lbs
- 1.1 inches thin
- Integrated 56K V.90 Mini PCI modem
- Full-size keyboard
- User removable hard drive
- Dual battery support
- MultiBay technology supports an additional 6-cell Battery, Second Hard Drive, 24X Max CD-ROM, 4X DVD-ROM drive, or LS-120 drive
- AGP 2X Graphics
 - 8-MB Video SDRAM
 - 66-MHz graphics BUS
 - Dual-view display support
 - NTSC/PAL output
- Magnesium LCD display enclosure
- Docking solutions
- Compaq Services including a three-year, Worldwide Limited Warranty with a free one-year second business day pick-up and delivery service — Certain restrictions and exclusions apply. Consult the Compaq Customer Support Center for details.

CONFIGURABLE COMPONENTS

- Choice of Intel Pentium® III 500 or 450
- Choice of 14.1 or 13.3 TFT 1024 x 768 display
- Choice of 6, 12 or 18-GB removable hard drives
- Choice of 24X Max CD-ROM or 4X DVD-ROM
- 64 MB standard SDRAM upgradable to 320 MB
- Integrated Mini PCI V.90 data/14.4 Kb/s fax modem or V.90 fax/modem Intel PRO+ Ethernet combination card)
- Choice of Pointing Stick or Touch Pad
- Choice of Microsoft Office 2000 Small Business, Office 2000 Professional or Word 2000
- Other components available



- | | |
|---|------------------------------------|
| 1. 14.1-in or 13.1-in TFT 1024 x 768 display | 11. Primary Battery |
| 2. Microphone | 12. Primary Hard Drive |
| 3. Power Switch | 13. Left/Right/Third Mouse Buttons |
| 4. Integrated RJ-11 Jack, 56K V.90 Mini PCI modem; Optional RJ-11 and RJ-45 Jack with Intel PRO+ Mini PCI (not shown) | 14. 3D Point Stick |
| 5. MultiBay | 15. Stereo Speakers |
| 6. PC Card Slots | 16. Cable Lock Connector |
| 7. Battery Power Light | 17. NTSC/PAL Connector |
| 8. AC Power Light | 18. Lid Switch |
| 9. Microphone Jack | 19. Suspend Button |
| 10. Stereo Speaker/Headphone Jack | 20. Status LED's |
| | 21. Display Latch |



QUICKSPECS

Standard Features

MODELS

Configure to Order

Prosignia Notebook 170

Select the following to configure your own Prosignia Notebook:

Processor
Memory
Hard Drive
Removable Storage
Optical Storage
Modem or Modem/NIC
Combination Card
Software

Flexible Solutions Configure to Order

Order the Prosignia Notebook 170 the way the customer wants it by selecting the processor, hard drive, memory, and more. Purchase directly from Compaq or a Compaq Authorized Agent. Configurable components and Options change frequently. Check Q-View or www.compaq.com for the latest options available from Compaq.

Processor

Intel Pentium III processor 500 or 450 MHz

Cache Memory

256K Integrated

Memory

Standard	64 MB
Maximum	320 MB

Primary Storage

Diskette Drives	1.44 MB (All Models)
Hard Drives	18-, 12-, or 6-GB Ultra ATA

MultiBay Devices

4X DVD-ROM
24X Max CD-ROM
SuperDisk LS-120
MultiBay Battery
Secondary Hard Drive

Communications

Integrated Mini-PCI 56K V.90 modem or Mini PCI 56K V.90 modem and Ethernet NIC combination

Keyboard

102-key compatible keyboard with isolated, inverted-T cursor control keys, and right-control key, special feature hotkeys for instant access to power conservation, QuickLock/QuickBlank, toggle between internal and external, or simultaneous displays, battery gauge, speaker volume control, brightness and contrast

Pointing Device

Touch Pad or Pointing Stick

PC Card Slots

Two Type II/One Type III PC Card Slot(s) which support both 32-bit CardBus (Full support in Windows 9.x) and 16-bit PC Cards; zoomed video support in both slots

Multimedia

Compaq *Premier•Sound™* for enhanced stereo audio
Integrated 16-bit Sound Blaster Pro-compatible stereo audio
Integrated stereo speakers and microphone
Ported Speaker Enclosure
Software/hardware volume control
Headphone out jack – supports stereo out
Microphone in jack
Software MPEG1 support
DVD movie playback software (optional)
Internal 4X DVD-ROM drive or 24X Max CD-ROM Drive
RCA TV-out port (NSTC/PAL)
2X AGP graphics with 8-MB SDRAM

QUICKSPECS

Standard Features

Interfaces

PC Card	Two Type II/One Type III
Enhanced Parallel	1
Serial	1
TV out connector	1
External Monitor	1
External Keyboard/ Pointing Device	1
Expansion Base	1
Speaker/Headphone out	1
Microphone in	1
AC Power	1
RJ-11	1
RJ-45	1 (With optional Intel PRO+ Mini-PCI card)
Infrared	1 (4 Mb/s support) (IrDA 4 MB compliant. IR performance will vary depending on performance of IR peripherals and application used.)
USB	1

Graphics

2X AGP implementation with dedicated 66-MHz AGP graphics bus. ATI Mobility-P™ graphics controller with 8 MB of 125 MHz SDRAM. Up to 100 Hz external refresh at SVGA resolution up to 16.8M colors. Supports dual-view display, with two different images on two different displays at different refresh rates. NTSC & PAL TV-out support (integrated) up to 1024 x 768 resolution

Display

- 14.1-inch color TFT with 1024 x 768 resolution (up to 16M colors internal)
- 13.3-inch color TFT with 1024 x 768 resolution (up to 16M colors internal)

Operating System

Windows 98 Second Edition

Software

Microsoft Office 2000 Small Business, or
Microsoft Office 2000 Professional, or
Microsoft Word 2000
Norton AntiVirus
WinFAX Basic
Compaq Online Services
CompuServe and AOL
Diagnostics for Windows
Compaq Power Management
Online Safety and Comfort Guide
Reference Guide

QUICKSPECS

Standard Features

Compaq Online Services

A full suite of Internet-powered solutions that provide reliable Internet access, online office management tools, and e-commerce capabilities – all designed to lower technology and staffing costs, and increase productivity for growing businesses

Access the Internet
Briefcase
Backup
Courier
Delivery
Postage
All-in-One eBusiness Center
Message Center Lite
Message Center
RingMeNow
Small Business Resource Center
Online Training

Security

Configuration Control Hardware
Memory Change Alert
Ownership Tag
Setup Password
Power-On Password
DriveLock
QuickLock
QuickBlank

Power Supply

External AC adapter, 10-foot power cord included

Battery

The Prosignia Notebook 170 offers an 8-cell standard Li-Ion battery, and an optional 6-cell MultiBay battery. Typical battery life is over 2 hours for the 6-cell and over 3 hours for the 8-cell, depending on the exact configuration and usage

Note: Actual results may vary with individual usage. When tested in standard configuration, using the Ziff-Davis BatteryMark Test v2.0, the battery life of the Prosignia 170 will range up to 2.3 hours (6-cell) and 3.1 hours (8-cell). Standard configuration tested is considered to be one battery, a 1024 x 768 (64K colors) 14.1-in panel set at 50% brightness, 64-MB RAM and no drives other than the hard drive active.

Power Conservation

Hibernation
Instant-on via Standby
Pop-ups with three presets
One custom level of power conservation

Service and Support

Compaq Services provide a range of services including a three-year, Limited Worldwide Warranty, with 7 x 24 toll-free service line at 1-877-456-7878 and a free one-year, second business day pick-up and delivery service from Compaq. All shipping and handling materials are supplied by Compaq.

Note: Certain restrictions and exclusions apply. Consult the Compaq Customer Support Center for details.

Note: Pick-up and delivery service is available in 48 contiguous US States and Canada. Eligibility for priority pick-up (second business day return) is limited to certain geographic locations. Carry-in service available outside the US and Canada.

QUICKSPECS

Configurable Components

Solutions Configure to Order

Configurable components are available directly from Compaq or through a Compaq Agent and are for first time configurations only.

Base Unit *(Choose one of the following)*

All base units include Li-Ion Battery, AC Adapter, Diskette Drive and MultiBay Weight Saver

Intel Pentium III 500-MHz processor

Intel Pentium III 450-MHz processor

TFT Display Screen *(Choose one of the following)*

14.1" Panel

13.3" Panel

Primary Hard Drives *(Choose one of the following)*

18-GB SMART Hard Drive

12-GB SMART Hard Drive

6-GB Hard Drive

Memory *(Optional Memory upgrade)*

128-MB SDRAM

64-MB SDRAM

32-MB SDRAM

MultiBay Options *(Choose one of the following)*

4X - DVD-ROM Drive with software decoder

(Data transfer rates will vary from 150 KB/s to 5520 KB/s.)

24X Max CD ROM Drive

(Data transfer rates will vary from 150 KB/s to 3600 KB/s.)

MultiBay Devices *(Optional)*

SuperDisk LS-120

Second SMART Hard Drive (with Adapter)

Second 6-Cell Li-Ion Battery

Communications Options

Compaq Mini PCI 56K Modem

Compaq 56K (V.90) plus Intel PRO/100+ Mini PCI (Modem and Ethernet NIC)

Note: Designed only to allow faster downloads from 56K V.90 compliant sources. Maximum achievable download transmission rates currently do not reach 56 KB/s, and will vary with line conditions. Modem only supports Windows 9.x and Windows NT 4.0.

Pointing Devices *(Choose one of the following)*

Touch Pad

Pointing Stick

Business Software *(Choose one of the following)*

Microsoft Office 2000 Professional

Microsoft Office 2000 Small Business

Microsoft Word 2000

QUICKSPECS

Configurable Components

Software *(Optional)*

Norton Utilities for Windows
Symantec Act
Symantec WinFax PRO
Symantec Mobile Essentials
Carbon Copy (complete version)
PcAnywhere 32
Intuit Quicken Deluxe 98
Microsoft Project 98 Upgrade
Corel WordPerfect Suite 8 Professional Upgrade
CorelDRAW 8 Upgrade
Netscape Communicator Internet Access Edition
Netscape Communicator Deluxe Edition
Netscape Publishing Suite
Lotus 1-2-3 97 Upgrade
Lotus SmartSuite 97 Upgrade
Microsoft Front Page 98 Upgrade
Intuit Quick Books 5.0
Adobe Pagemaker 6.5
Adobe Photoshop 5.0
Adobe Illustrator 7.0

QUICKSPECS

Options

Enhancements

Enhancements are available through Compaq Authorized Resellers for first time configurations or upgrades, or directly from Compaq or a Compaq Agent for upgrades.

Memory

128-MB Memory Upgrade	144547-B21
64-MB Memory Upgrade	144546-B21
32-MB Memory Upgrade	144545-B21

Monitors

TFT8000 Flat Panel	307906-001
TFT5000 Flat Panel	325700-001
P1610 Color	305708-001
P110 Color (May not be compatible with the Monitor Support Stand, or Convenience Bases due to weight limitations.)	284956-001
P75 Color	307806-001
V1000 Color (May not be compatible with the Monitor Support Stand, or Convenience Bases due to weight limitations.)	351757-001
V900 Color (May not be compatible with the Monitor Support Stand, or Convenience Bases due to weight limitations.)	303500-001
V75 Color (carbon)	307710-002
V500 Color	325900-001
S900 Color (May not be compatible with the Monitor Support Stand, or Convenience Bases due to weight limitations.)	360562-001
S700 Color	360512-001

MultiBay Devices

18-GB SMART Hard Drive	153927-B21
12-GB SMART Hard Drive	153926-B21
6-GB SMART Hard Drive	153925-B21
4X DVD-ROM Drive (Data transfer rates will vary from 150 KB/s to 5520 KB/s.)	153952-B21
24X Max CD-ROM (Data transfer rates will vary from 150 KB/s to 3600 KB/s.)	146812-B21
SuperDisk LS-120	144557-B21
Li-Ion 6-cell Battery	144558-B21

QUICKSPECS

Options

Docking Solutions

Port Replicator	144488-004
Convenience Base with Intel NIC	144487-004
Convenience Base Monitor Stand	122931-B25

PC Cards/Communications/Multimedia

Wireless LAN 2 Mb/sec	134711-001
Compaq M420 56KGlobal Modem	317900-001
<i>(Designed only to allow faster downloads from V.90 and/or K56flex compliant sources. Maximum achievable download transmission rates currently do not reach 56 KB/s, and will vary with line conditions. Modem only supports Windows 9.x and Windows NT 4.0.)</i>	
10/100 TX PC Card UTP Controller	335506-B21
10 T PC Card UTP Controller	292806-B21
10 2 PC Card Coax Controller	292807-B21
10/100 TX PC Card UTP Controller Upgrade	292813-B21
Margi DVD-to-Go PC Card	202861-B21
16/4 TR PC Card IBM UTP/STP Controller	301208-B21

For additional compatible PC Cards, view the Compaq PC Card Solutions List on the Compaq website at:
<http://www.compaq.com/support/techpubs/pcmcia/pccardlist.html>

Power

Primary Battery (8-cell)	153922-B21
External Battery Charger	135555-001
AC Adapter	120765-001
AC Line Cord (4 ft)	213379-007
Auto Adapter	401043-B25
Aircraft Adapter	386504-B21

Input Devices

External Enhanced III Keyboard (carbon)	118003-008
Compaq Mouse (carbon)	103180-B21
Compaq/Microsoft Intellimouse	294306-B21
Numeric Keypad (carbon)	294317-B21

Other

Compaq Security Lock	294316-B21
Portable Video Conferencing	296954-001
Headset with Microphone	220460-001
MP1600 Microportable Projector	386202-001
Universal Monitor Stand (opal)	316246-B21

Carrying Cases

Compaq Value Case	294266-B21
Compaq Workstation Case	294267-B21
Compaq Global Case	294268-B21
Compaq Executive Case	294269-B21
Compaq Professional N Case	401366-B21
Compaq Professional L Case	401367-B21

QUICKSPECS

Memory

Compaq Prosignia 170

STANDARD MEMORY

64 MB SDRAM installed on the System Board

Standard	Slot	
	1	2
64 MB	Empty	Empty

STANDARD MEMORY PLUS OPTIONAL MEMORY

Support for up to 320 MB of SDRAM memory is available with the installation of optional SDRAM Memory Kits in addition to the 64 MB SDRAM on the System Board.

Up To	Slot	
	1	2
320 MB	128 MB	128 MB
256 MB	64 MB	128 MB
192 MB	64 MB	64 MB
160 MB	64 MB	32 MB
128 MB	32 MB	32 MB

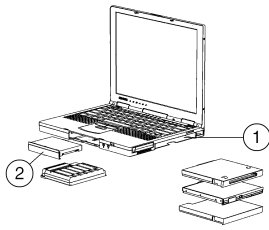
This chart does not represent all possible memory configurations. The following memory options are available from Compaq:

- 128-MB Memory Upgrade
- 64-MB Memory Upgrade
- 32-MB Memory Upgrade

QUICKSPECS

Storage

COMPAQ PROSIGNIA NOTEBOOK 170 DRIVE SUPPORT



- 1 MultiBay
- 2 Dedicated hard drive bay

	Quantity Supported	Drive Bay Supported
Removable Media		
1.44-MB Diskette Drive	Up to 1	MultiBay
24X Max CD-ROM Drive		
4X DVD-ROM		
SuperDisk LS-120		
Second HDD		
18-GB SMART Hard Drive		
12-GB SMART Hard Drive		
6-GB SMART Hard Drive		
Note: Each Prosignia 170 unit ships with a 1.44-MB diskette drive and cable, allowing it to be plugged externally to the parallel port if the customer desires.		
Note: Second drive in MultiBay requires the Hard Drive Adapter (included).		
Hard Drives		
18-GB SMART Hard Drive	1	Dedicated hard drive bay
12-GB SMART Hard Drive		
6-GB SMART Hard Drive		

QUICKSPECS

Technical Specifications

System Unit

Dimensions (HxWxD)	12.4 x 9.8 x 1.1 in/31.4 x 24.9 x 2.8 cm
Weight	5.3 lbs/2.09 kg (minimum weight, actual weight varies with configuration)
Stand-Alone Power Requirements	
Nominal Operating Voltage (Li-Ion)	14.4V (8-cell), 10.8V (6-cell)
Average Operating Power	15W
Peak Operating Power	30W
Power Supply	
Rated Input Voltage	90 to 264 VAC (auto-switching)
Rated Input Current	< 60W
Rated Frequency	47 to 63 Hz
Temperature	
Operating	50° to 104°F/10° to 40°C
Non-operating	-4° to 140°F /-20° to 60°C
Relative Humidity (non-condensing)	
Operating	10% to 90% relative humidity, non-condensing
Non-operating	5% to 95% relative humidity, 101.6°F/38.7°C Maximum wetbulb temperature
Shock	
Operating	10 G, 11 ms, half-sine
Non-operating	240 G, 2 ms, half-sine
Vibration	
Operating	0.5 G zero-to-peak, 10 to 500 Hz, 0.25 oct/min
Non-operating	1.5 G, zero-to-peak, 10 to 500 Hz, 0.5 oct/min
Maximum Altitude (unpressurized)	
Operating	10,000 ft/3,048 m
Non-operating	30,000 ft/9,144 m

14.1-Inch Color TFT XGA Display

Dimensions (HxW)	11.22 x 8.46 in/28.5 x 21.5 cm
Diagonal Size	14.1 in/35.81 cm
Mounting	Internal Panel Supports, Side Mounted
Number of Colors	Up to 16.8M
Contrast Ratio	150:1
Brightness	120nt typ
Pixel Resolution	
Pitch	0.264 x 0.264 mm
Format	1024 x 768
Configuration	RGB stripe
Backlight	Edge Lit
Character Display	80 x 25
Total Power Consumption	4.2W

QUICKSPECS

Technical Specifications

13.3-Inch Color TFT XGA Display

Dimensions (HxW)	10.6 x 8 in/26.9 x 20.3 cm
Diagonal Size	13.3 in/33.8 cm
Mounting	Internal Panel Support
Number of Colors	Up to 16.8M
Contrast Ratio	150:1
Brightness	120nt typ
Pixel Resolution	
Pitch	0.264 x 0.264 mm
Format	1024 x 768
Configuration	RGB Stripe
Backlight	Edge Lit
Character Display	80 x 25
Total Power Consumption	4.2W

Diskette Drive

Diskette Size	3.5 in
Light	On system
Height	0.5 in/12.7 mm
Bytes per Sector	512
Sectors per track	
High density	18 (1.44 MB)/15 (1.2 MB)
Low density	9
Tracks per side	
High density	80 (1.44 MB)/80 (1.2 MB)
Low density	80
Read/Write heads	2
Access Times	
Track-to track (high/low)	3 ms/6 ms
Average (high/low)	94 ms/174 ms
Settling time	15 ms
Latency average	100 ms

QUICKSPECS

Technical Specifications

Hard Drives

(Hard drive specifications will vary depending on vendor.)

18 GB	Capacity	18.141 GB	Seek Time (typical reads, including settling)	
	Height	0.5 in/12.7 mm	Single Track	2.5 ms
	Width	2.75 in/70 mm	Average	12.0 ms
	Interface	ATA-4	Full-Stroke	23 ms
	Transfer Rate		Logical Configuration	
	Media	85.5 to 161.1 MB/s	Cylinders	35,152
	Interface	UDMA 33.3 MB/s	Data Heads	16
		Sectors per Track	63	

12 GB	Capacity	12 GB	Seek Time (typical reads, including settling)	
	Height	0.5 in/12.5 mm	Single Track	2.5 ms
	Width	2.75 in/70 mm	Average	12 ms
	Interface	ATA-4	Full-Stroke	23 ms
	Transfer Rate		Logical Configuration	
	Media	85.5 to 161.6 MB/s	Cylinders	23,392
	Interface	UDMA 33.3 MB/s	Data Heads	16
		Sectors per Track	63	

6 GB	Capacity	6.4 GB	Single Track	
	Height	0.5 in/12.5 mm	Single Track	3 ms
	Width	2.75 in/70 mm	Average	13 ms
	Interface	ATA-4	Full-Stroke	24 ms
	Transfer Rate		Logical Configuration	
	Media	86.4 to 153.3 MB/s	Cylinders	12,416
	Interface	UDMA 33.3 MB/s	Data Heads	15
		Sectors per Track	63	

QUICKSPECS

Technical Specifications

External AC Adapter

Dimensions (HxWxL)	1.15 x 2.375 x 1.4in/2.92 x 6.03 x 3.6 cm
Weight	0.66 lb/0.3 kg
Power Supply (Input)	
Operating Voltage	90 to 260 VAC
Operating Current	1.1 ARMS
Operating Frequency Range	50-60 Hz
Maximum Transient	4/50 kV

Li-Ion Battery Pack (8-cell)

Dimensions (HxWxL)	0.57 x 3.93 x 4.55 in/1.44 x 9.9 x 11.5 cm
Weight	0.85 lb/0.39 kg
Energy	
Voltage	14.4 V
Amp-hour capacity	2.8 Ah
Watt-hour capacity	40Wh
Temperature	
Operating	50° to 104°F/10° to 40°C
Non-operating	-12° to 140°F/-25° to 60°C

Li-Ion Battery Pack (6-cell)

Dimensions (HxWxL)	0.57 x 3.93 x 4.55 in/1.44 x 9.9 x 11.5 cm
Weight	1.2 lbs/0.54 kg
Energy	
Voltage	10.8 V
Amp-hour capacity	4 Ah
Watt-hour capacity	36Wh
Temperature	
Operating	50° to 104°F/10° to 40°C
Non-operating	-12° to 140°F/-25° to 60°C

QUICKSPECS

Technical Specifications

24X Max CD-ROM Drive

Applicable Disk	CD-ROM (Mode 1, 2 and 3), CD-XA ready (Mode 2, Form 1 and 2), CD-I ready (Mode 2, Form 1 and 2), CD-R (read only), CD Plus, Photo CD (Single and Multi-session), CD-Extra, Video CD, CD-WO (fixed packets only), CD-Bridge
Center Hole Diameter	0.59 in/15 mm
Disk Diameter	12 cm, 8 cm
Disk Thickness	1.2 mm
Track Pitch	1.6 μ m
Access Times (typical reads, including settling)	
Random	< 150 ms
Full-Stroke	< 300 ms
Cache Buffer	128 KB
Data Transfer Rate (typical, including settling)	
Sustained (16X)	2400 KB/s (150 KB/s at 1X)
Variable	1500 to 3600 KB/s (10X to 24X)
Normal PIO Mode 4 (single burst)	16.66 MB/s
Start-up Time	< 8 sec
Stop Time	< 4 sec

4X DVD-ROM Drive

Applicable Disk	DVD-ROM, CD-ROM, CD-XA, CD-I, Photo CD, Multi-session, Audio, CD-R, CD-RW
Center Hole Diameter	0.59 in/0.39 cm
Disk Diameter	12 cm/8 cm
Disk Thickness	1.2 mm
Track Pitch	0.74 μ m
Access Times (typical reads, including settling)	
Random	< 150 ms
Full-Stroke	< 225 ms
Audio Output Level	
Line out	0.7 Vrms
Cache Buffer	128 KB/s (minimum)
Data Transfer Rate (typical, including settling)	
Sustained (16X CD rate)	2400 KB/s (150 KB/s at 1X CD rate)
Sustained 4X DVD	5,520 KB/s (1380 KB/s at 1X DVD rate)
Normal PIO Mode 4 (single burst)	16.6 MB/s
Start-up Time	< 15 sec
Stop Time	< 6 sec

QUICKSPECS

Technical Specifications

Compaq 56K (V.90) plus
Intel PRO/100+ Mini PCI

Form Factor	Mini-PCI Type 1B and 2B per Specification
OS Support (with all released Service Packs)	Windows 95 (OSR2.x), Windows 98 (Gold, SE) Windows NT4.0, Windows 2000, DOS Application Support under Windows
Power Management Support	APM Revision 1.2, ACPI, Compaq Power Management Extensions for Windows NT
Approvals/Certifications	UL, CSA, NEMKO, CCIB, Industry Canada, FCC Part 68, CTR21, FCC Part 15 Class B, Canadian ICES-003 Class B, C.I.S.P.R.22, Australian ACA, CE Mark, Other Countries
Modem Device Driver Name	Compaq 56K (V.90) Mini PCI
Data Mode Capabilities	V.90 (a-law, mu-law), K56flex (a-law, mu-law) V.8bis, V.80, V42.bis, MNP5 (Compression) V.42 (LAPM, MNP2-4) (Error Correction) V.34 (file date: 10/96) Optional symbol rates: 2800, 3429 Asymmetric Symbol rates Synchronous primary channel data signaling rates: 3600, 31200 Automatic rate re-negotiation V.32bis, V.32, V.23, V.22bis V.22, V.21 Bell 212A, Bell 103J
Fax Mode Capabilities	TIA-578-S (Class 1) T.30, T.4 (Group 3) V.17, V.29, V.27ter, V.21 Channel 2
Command Set	V.250 (Partial) TIA-602 Identification: +GMI, +GMM, +GMR Port control :+IPR, +ICF, +IFC, +IIR Modulation: +MS, +MR, +MA Error control: +ES, +ER, +EB, +ESR, +ETBM Data compression: +DS, +DR V.251

Compaq, Prosignia registered United States Patent and Trademark Office. QuickBlank, QuickLock, are trademarks and/or service marks of Compaq Computer Corporation.

Intel, the Intel Inside Logo, and Pentium are registered trademarks of Intel Corporation.

Microsoft, MS, Windows and Windows NT are registered trademarks of the Microsoft Corporation.

Other product names mentioned herein may be trademarks and/or registered trademarks of their respective companies.

©2000 Compaq Computer Corporation.