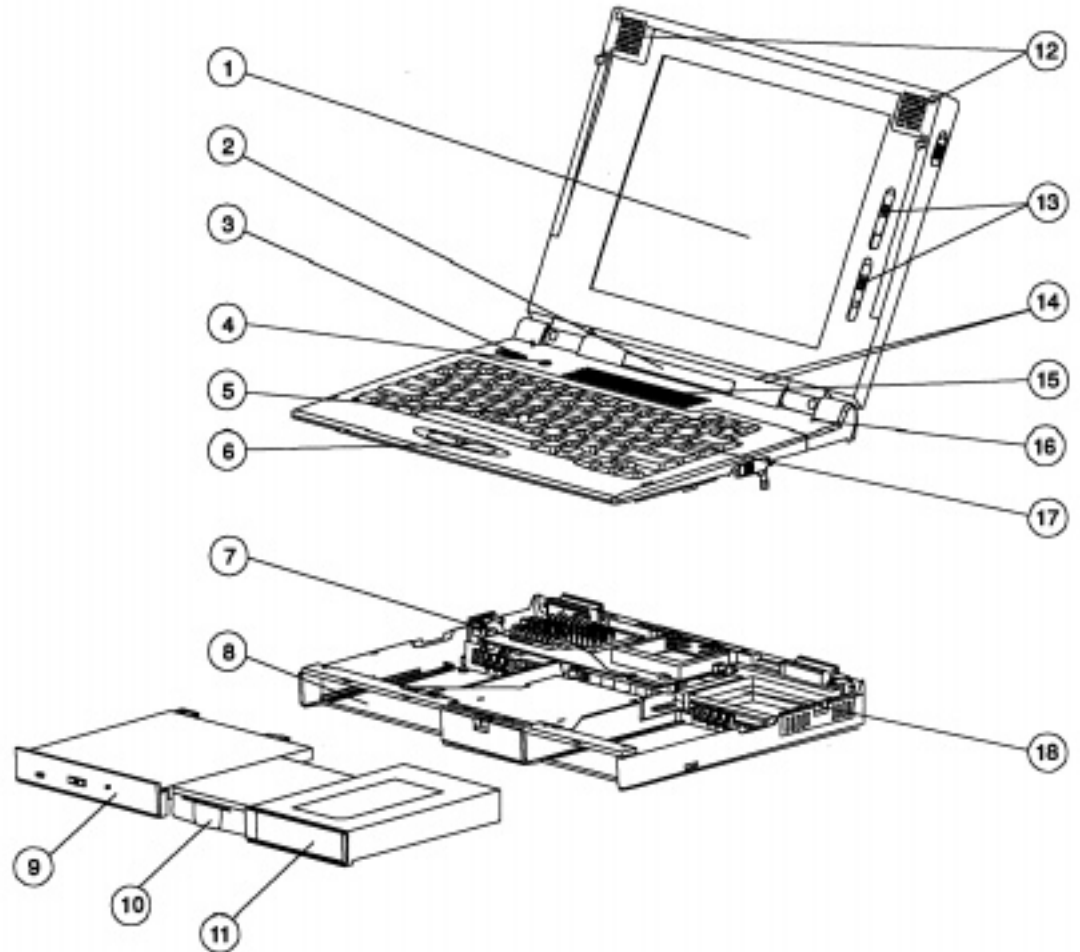


OVERVIEW

Compaq LTE 5000

BENEFITS AT A GLANCE

- 120-, 133- or 150-MHz Intel Pentium® processors with 256 KB and 512 KB (LTE 5400 only) level two cache and 64-bit architecture
- 32-bit PCI local bus graphics
- 16 or 32 MB standard memory, expandable up to 80 MB
- MultiBay design allows user customization with CD-ROM, second hard drive, battery, diskette drive or weight saver
- Li-Ion battery option
- Choice of displays including 10.4-inch, 11.3-inch or 12.1-inch CTFT SVGA or 12.1-inch CTFT with 1024 x 768 resolution
- 2.1-GB SMART Hard Drive with drive fault prediction (LTE 5380 and LTE 5400 models only)
- Over 4 GB of storage is supported using a second hard drive in the notebook MultiBay
- Keyboard-integrated EasyPoint II pointing device
- Extensive multimedia support with integrated 16-bit stereo audio, dual speakers, microphone, full motion video, optional CD-ROM drive, and optional MPEG and TV Video Adapter
- Optional MultiBay Expansion Bases can expand maximum storage capacity to over 8 GB and increase functionality in the office
- Protected by CompaqCare including a three-year, worldwide limited warranty¹



CSTN 800 x 600 Model Shown

1. Display
2. LCD Status Panel
3. Power Switch
4. Standby Button
5. Keyboard-integrated EasyPoint II Pointing Device
6. Mouse Buttons
7. Processor Board
8. MultiBay Device Bay
9. MultiBay Device (optional CD-ROM Drive shown; additional hard drives, batteries or diskette drives are also supported)
10. Removable Hard Drive (810-MB, 1.3-GB or 2.1-GB)
11. NiMH Battery Pack
12. Stereo Speakers
13. Brightness and Contrast (CSTN models); Brightness (TFT models)
14. Standby/Power and Battery Status LEDs
15. Ventilation Intake
16. Microphone
17. Cluster-style Keyboard with dedicated Home, End, Page-up and Page-down Keys and "T" Cursor Keys
18. Two Type II/One Type III PC Card Slot(s)

¹ Certain restrictions and exclusions apply. Consult the Compaq Customer Support Center for details.

MODELS

LTE 5250

Model 810 CTFT 800 x 600
241960-007

LTE 5280

Model 1350 CTFT 800 x 600
242150-008

LTE 5300

Model 1350 CTFT 800 x 600
241900-008

LTE 5380

Model 2160 CTFT 1024 x 768
242300-009

LTE 5400

Model 2160 CTFT 800 x 600
242390-009

STANDARD FEATURES

Flexible Design

Front-loading MultiBay modular design offers customization of notebook and expansion base resulting in various configurations. Users can select from devices such as a CD-ROM drive, second hard drive, extra battery or diskette drive. MultiBay devices are interchangeable between notebook and MultiBay Expansion Bases maximizing flexibility in the office or on the road.

Processor

LTE 5250 and 5280: 120-MHz Intel Pentium®
LTE 5300 and 5380: 133-MHz Intel Pentium
LTE 5400: 150-MHz Intel Pentium

Cache

256 KB level two write-back
512 KB level two write-back⁴ (LTE 5400)

Architecture

64-bit CPU, cache and memory bus; 32-bit PCI local bus graphics

Display/Graphics

LTE 5250: 10.4-inch color TFT with 800 x 600 resolution and 16-bit color (65,000 colors internal)
LTE 5280: 11.3-inch color TFT with 800 x 600 resolution and 16-bit color (65,000 colors internal)
LTE 5300: 12.1-inch color TFT with 800 x 600 resolution and 16-bit color (65,000 colors internal)
LTE 5380: 12.1-inch color TFT with 1024 x 768 resolution and 8-bit color (256 colors internal)
LTE 5400: 12.1-inch color TFT with 800 x 600 resolution and 16-bit color (65,000 colors internal)
All models use 32-bit PCI local bus graphics with 1-MB EDO Video DRAM

Memory

LTE 5250, 5280, 5300, and 5380: 16 MB of RAM, expandable to 80 MB
LTE 5400: 32 MB of RAM, expandable to 80 MB

Hard Drives

810 Models: 810-MB Hard Drive
1350 Model: 1.3-GB Hard Drive
2160 Models: 2.1-GB SMART Hard Drive, with drive fault prediction
All hard drives are removable; optional 2.1-GB drive available

Storage

Notebook: Up to 4.3 GB (with two 2.1-GB drives)
Notebook and Expansion Base: Up to 8.6 GB (with four 2.1-GB drives)

Multimedia

Integrated 16-bit digital stereo audio, Compaq PremierSound audio¹ built-in stereo speakers and microphone, manual volume control, stereo line in, headphone out, microphone in jacks; Video for Windows software for full-motion video; hardware-based Motion Video Acceleration (MVA); optional MPEG

MPEG and TV Video Adapter

Optional MPEG, Compaq PremierSound Audio and TV Video Adapter for high performance MPEG digital video playback, video and image capture; includes TV-In and TV-Out functionality

PC Card Slots

Two Type II/One Type III PC Card Slot(s); support for advanced telephony features with Compaq PC card modems

Infrared Communication Port

IrDA-1 compatible Infrared Communication Port

Power/Battery Life²

External AC Adapter allows simultaneous system operation and battery charge
NiMH Battery Pack or Li-Ion Battery Pack (optional, lighter weight): Supports over two hours battery life with Advanced Power Management

Integrated Pointing Device

Keyboard-integrated EasyPoint II Pointing Device with centrally located mouse buttons

Keyboard

101-key compatible keyboard with dedicated Page Up, Page Down, Delete, Home, Insert, and End keys, inverted-T cursor control keys, and right control key, special feature hot keys for instant access to power conservation, QuickLock/QuickBlank, toggle between internal, external, or simultaneous displays, and speaker mute control

Power Conservation

Hibernation, Standby (up to 100 hours), Setup Utility with two preset and one custom level of power conservation, Advanced Power Management support, auxiliary battery, Energy Star compliant

Weight and Size (HxWxD)³

LTE 5250, 5300, 5380 and 5400: 7.4 lb/3.35 kg
LTE 5280 Model 1350 CTFT 800 x 600: 7.2 lb/3.27kg
2.07 x 12.2 x 9 in/5.25 x 31 x 22.8 cm

STANDARD FEATURES (cont'd)

Preinstalled Software

Windows 95 or Windows 3.1, MS Video for Windows 1.1, Online User's Guide, Compaq Dictionary Help Files, Compaq Sound System, TranXit by PUMA (Windows 3.1), America Online for Windows, CompuServe WinCim, Microsoft Internet Explorer

Interfaces

Infrared, parallel, serial, external monitor, PS/2 port, expansion connector, AC adapter/auto adapter, microphone in, headphone out, stereo line-in, support for third party Y-cables

PC Management

Support for Compaq Intelligent Manageability⁴

Standby/Suspend MultiBay Device Exchange

Provides for exchange while in standby of CD-ROM and diskette drive in Windows 3.1 and Windows NT 3.51 for all LTE 5000 models (driver support available via SoftPaq)

Security Features

MultiLock security features including QuickLock/QuickBlank and Power-on Password; Kensington Security Slot provision notebook and expansion base; diskette drive disable; PCMCIA disable; Power-on and Setup password; Infrared disable; Hard Disk Drive and MultiBay Device theft deterrent screws

Expansion Base

MultiBay Expansion Base: Provides two additional MultiBay device bays as well as integrated Ethernet and port replication, integrated stereo speakers, infrared and MPEG and TV Video Adapter dedicated space; includes two Type III PCMCIA slots and MIDI/Game port, monitor support cover and security provision to lock unit in base
MultiBay-ISA Expansion Base: Includes all the features of the MultiBay Expansion Base plus a full-length ISA expansion slot and Compaq Premier-Sound Audio

Service and Support

CompaqCare provides a range of services, including a three-year, worldwide limited warranty⁵, pick-up or carry-in; upgrade to on-site warranty available; life-time toll-free 7x24 hardware technical phone support.

OPTIONS

Expansion

MultiBay-ISA Expansion Base	242350-001
MultiBay Expansion Base	213700-001

Memory

MPEG and TV Video Adapter	213507-001
16-MB Memory Expansion Board	213515-002
32-MB Memory Expansion Board	213515-003
64-MB Memory Expansion Board	213515-004

Diskette Drives/Hard Drives/CD-ROM Drives

1.44-MB Diskette Drive	213510-001
2.1-GB Hard Drive	241980-001
2.1-GB SMART Hard Drive	242160-001
6X MultiBay CD-ROM Drive	224198-001
MultiBay Hard Drive Carrier	213591-001

Convenience

Li-Ion Battery Pack	213506-001
NiMH Battery Pack	213511-001
Battery Fast Charger	213512-001
AC Adapter	213514-001
Automobile Adapter	217934-002
Keyboard	110562-001
Mouse	143315-001

Carrying Cases

MultiBay Device Carrying Case	213617-001
A full line of Compaq brand carrying cases are available through Targus/Fabrique. For information please contact Targus/Fabrique at 801-572-8908 or 714-523-5429.	

Communications

Compaq SpeedPaq 336 Telephony Modem	266200-001
Compaq 336 Fax Modem	189650-002
Netelligent 56K PC Card Modem	295050-001
Compaq Ethernet LAN Card	224750-001
10/100 TX PC Card UTP Controller	292812-B21
10 T PC Card UTP Controller	292806-B21
10 2 PC Card Coax Controller	292807-B21
10/100 TX PC Card UTP Controller Upgrade	292813-B21
SpeedPaq ISDN ⁶	290658-001
For additional compatible PC Cards, view the Compaq PC Card Solutions List on the Compaq Web site at http://www.compaq.com/production/info/notebooks/	

Monitors

V50 Color	264150-001
V70 Color	255606-001
P50 Color	264200-001
P70 Color	255650-001
QVision 210 Color	210406-601
TFT500 Flat Panel	285006-001

¹ With MultiBay-ISA Expansion Base-only.
² Battery life will vary based on the configuration of the computer and the usage pattern of the individual user.
³ Weights shown are based on factory configurations. Total unit weight may increase or decrease depending upon the MultiBay device used.
⁴ Compaq Insight Manager (CIM) agents available via SoftPaq, SMART Hard Drive with Drive Fault Prediction available on LTE 5380 and LTE 5400 with the 2.16-GB SMART hard drive and/or the optional 2.16-GB SMART Hard Drive only.
⁵ Certain restrictions and exclusions apply. Consult the Compaq Customer Support Center at 1-800-OK-COMPAQ for details.
⁶ Supported on MultiBay Expansion Base (ISA) only.

FEATURES

Compaq LTE 5000

	Compaq LTE 5250	Compaq LTE 5280	Compaq LTE 5300	Compaq LTE 5380	Compaq LTE 5400
System Unit					
Microprocessor	Intel Pentium® 120-MHz	Intel Pentium 120-MHz	Intel Pentium 133-MHz	Intel Pentium 133-MHz	Intel Pentium 150-MHz
Cache	256 KB level 2 write-back	256 KB level 2 write-back	256 KB level 2 write-back	256 KB level 2 write-back	512 KB level 2 write-back
Architecture	64-bit CPU cache and memory bus; PCI local bus graphics with burst mode	64-bit CPU cache and memory bus; PCI local bus graphics with burst mode	64-bit CPU cache and memory bus; PCI local bus graphics with burst mode	64-bit CPU cache and memory bus; PCI local bus graphics with burst mode	64-bit CPU cache and memory bus; PCI local bus graphics with burst mode
RAM					
Standard	16 MB	16 MB	16 MB	16 MB	32 MB
Maximum	80 MB	80 MB	80 MB	80 MB	80 MB
Coprocessor	Integrated	Integrated	Integrated	Integrated	Integrated
Advanced Power Management	Yes	Yes	Yes	Yes	Yes
Display					
Type	10.4-inch color TFT	11.3-inch color TFT	12.1-inch color TFT	12.1-inch color TFT	12.1-inch color TFT
Resolution	800 x 600 with 65,000 colors	800 x 600 with 65,000 colors	800 x 600 with 65,000 colors	1024 x 768 with 256 colors	800 x 600 with 65,000 colors
Extended Text	Yes	Yes	Yes	Yes	Yes
Graphics					
32-bit PCI Local Bus Video	Yes	Yes	Yes	Yes	Yes
Simultaneous Display Support ¹	Yes	Yes	Yes	Yes	Yes
1024 x 768 External	Yes	Yes	Yes	Yes	Yes
Storage					
Modular 1.44-MB Floppy Drive	Standard	Standard	Standard	Standard	Standard
Removable Hard Drives					
Standard	810-MB	1.3-GB	1.3-GB	2.1-GB, SMART	2.1-GB, SMART
Optional	2.1-GB SMART	2.1-GB SMART	2.1-GB SMART	2.1-GB SMART	2.1-GB SMART
CD-ROM Drive	Optional	Optional	Optional	Optional	Optional
Interfaces					
PCMCIA	Two Type II/ One Type III	Two Type II/ One Type III	Two Type II/ One Type III	Two Type II/ One Type III	Two Type II/ One Type III
Resume on ring support	Yes	Yes	Yes	Yes	Yes
Infrared Communication Port	1	1	1	1	1
Enhanced Parallel	1	1	1	1	1
Serial	1	1	1	1	1

	Compaq LTE 5250	Compaq LTE 5280	Compaq LTE 5300	Compaq LTE 5380	Compaq LTE 5400
--	--------------------	--------------------	--------------------	--------------------	--------------------

Interfaces (cont'd)

External Monitor	1	1	1	1	1
External Keyboard/Pointing Device Option	1	1	1	1	1
Expansion Base/MPEG Option Connector	1	1	1	1	1
AC Adapter/Automobile Adapter	1	1	1	1	1
Microphone In	1	1	1	1	1
Headphone Out	1	1	1	1	1
Stereo Line In	1	1	1	1	1
Support for Third-Party Y-Cables	Yes	Yes	Yes	Yes	Yes

Monitors

V50 Color	Optional	Optional	Optional	Optional	Optional
V70 Color	Optional	Optional	Optional	Optional	Optional
P50 Color	Optional	Optional	Optional	Optional	Optional
P70 Color	Optional	Optional	Optional	Optional	Optional
QVision 210 Color	Optional	Optional	Optional	Optional	Optional
TFT500 Flat Panel	Optional	Optional	Optional	Optional	Optional

Keyboard

101-key compatible keyboard with Inverted "T" Cursor Keys, Hotkeys and Right Ctrl Key	Yes	Yes	Yes	Yes	Yes
External Enhanced III Keyboard	Optional	Optional	Optional	Optional	Optional

Supported System Software

Preinstalled Software	Windows 95 or Windows 3.1, MS Video for Windows 1.1, Online User's Guide, Compaq Dictionary Help Files, Compaq Sound System, TranXit by PUMA (Windows 3.1), America Online for Windows, CompuServe WinCim, Microsoft Internet Explorer	Windows 95 or Windows 3.1, MS Video for Windows 1.1, Online User's Guide, Compaq Dictionary Help Files, Compaq Sound System, TranXit by PUMA (Windows 3.1), America Online for Windows, CompuServe WinCim, Microsoft Internet Explorer	Windows 95 or Windows 3.1, MS Video for Windows 1.1, Online User's Guide, Compaq Dictionary Help Files, Compaq Sound System, TranXit by PUMA (Windows 3.1), America Online for Windows, CompuServe WinCim, Microsoft Internet Explorer	Windows 95 or Windows 3.1, MS Video for Windows 1.1, Online User's Guide, Compaq Dictionary Help Files, Compaq Sound System, TranXit by PUMA (Windows 3.1), America Online for Windows, CompuServe WinCim, Microsoft Internet Explorer	Windows 95 or Windows 3.1, MS Video for Windows 1.1, Online User's Guide, Compaq Dictionary Help Files, Compaq Sound System, TranXit by PUMA (Windows 3.1), America Online for Windows, CompuServe WinCim, Microsoft Internet Explorer
-----------------------	--	--	--	--	--

Physical Specifications

Dimensions (HxWxD)	2.07 x 12.2 x 9 in/5.25 x 31 x 22.8 cm	2.07 x 12.2 x 9 in/5.25 x 31 x 22.8 cm	2.07 x 12.2 x 9 in/5.25 x 31 x 22.8 cm	2.07 x 12.2 x 9 in/5.25 x 31 x 22.8 cm	2.07 x 12.2 x 9 in/5.25 x 31 x 22.8 cm
Weight	7.4 lb/3.35 kg	7.2 lb/3.27 kg	7.4 lb/3.35 kg	7.4 lb/3.35 kg	7.4 lb/3.35 kg

¹Yes where noted, with same resolution external display device.

MEMORY

Compaq LTE 5000

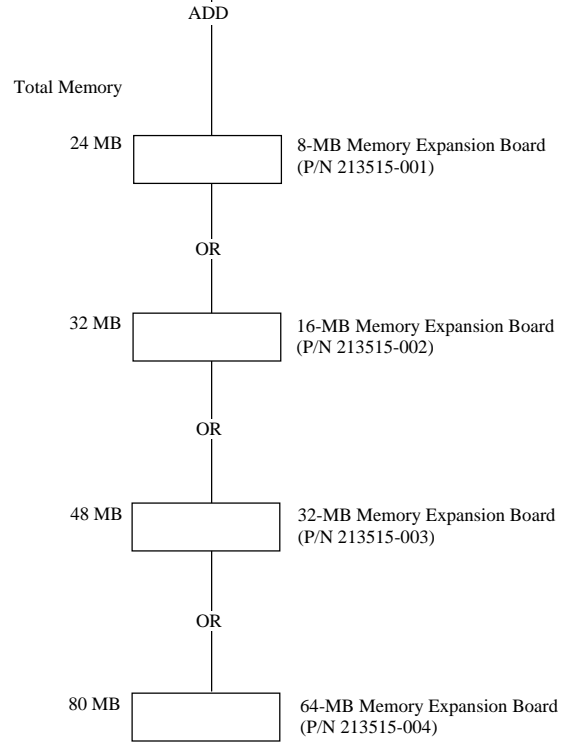
Compaq LTE 5250, 5280, 5300 and 5380

STANDARD
MEMORY

16 MB  System Board



OPTIONAL
MEMORY



Compaq LTE 5400

STANDARD
MEMORY

16 MB [] System Board

16 MB [] 16-MB Memory Expansion Board

OPTIONAL
MEMORY

REMOVE STANDARD 16-MB MEMORY EXPANSION BOARD AND REPLACE WITH

Total Memory

48 MB [] 32-MB Memory Expansion Board
(P/N 213515-003)

OR

80 MB [] 64-MB Memory Expansion Board
(P/N 213515-004)

System Unit

Dimensions (HxWxD)	2.07 x 12.2 x 9 in/5.25 x 31 x 22.8 cm
Weight	
LTE 5250 Model 810 CTFT 800 x 600	7.4 lb/3.35 kg
LTE 5280 Model 1350 CTFT 800 x 600	7.2 lb/3.27 kg
LTE 5300 Model 1350 CTFT 800 x 600	7.4 lb/3.35 kg
LTE 5380 Model 2160 CTFT 1024 x 768	7.4 lb/3.35 kg
LTE 5400 Model 2160 CTFT 800 x 600	7.4 lb/3.35 kg
Stand-Alone Power Requirements	
Nominal Operating Voltage	12 VDC
Average Operating Power	15 W
Peak Operating Power	25 W
Temperature	
Operating	50 to 95° F/10 to 35° C
Nonoperating	-4 to 140° F/-20 to 60° C
Relative Humidity (noncondensing)	
Operating	10 to 90%
Nonoperating	5 to 95%
Shock	
Operating	10 G, 11 ms, half sine
Non operating	240 G, 2 ms, half sine
Vibration	
Operating	0.5 G
Nonoperating	1.5 G
Maximum Altitude (unpressurized)	
Operating	10,000 ft/3.15 km
Nonoperating	30,000 ft/9.14 km

12.1-Inch Color 1024 x 768 Display

Dimensions (HxW)	7.26 x 9.67 in/18.45 x 24.6 cm
Diagonal Size	12.1 in/30.73 cm
Mounting	Internal
Number of Colors	256
Contrast Ratio	100:1
Brightness	80 cd/m ² @ 5 mA
Pixel Resolution	
Pitch	0.24 x 0.24 mm
Format	1024 x 768
Configuration	RGB stripe
Backlight	Edge Lit
Character Display	80 x 25
Total Power Consumption	3.3 W
Display Inverter Board	
Input Voltage	12 - 18 vdc
Output Voltage	600 Vrms
Maximum Input Power	3.3 w
Maximum Output Power	3 w

**12.1-Inch Color TFT
SVGA Display**

Dimensions (HxW)	7.26 x 9.67 in/18.45 x 24.6 cm
Diagonal Size	12.1 in/30.73 cm
Mounting	Internal
Number of Colors	256, 32K, 64K
Contrast Ratio	80:1
Brightness	80 cd/m ² @ 5 mA
Pixel Resolution	
Pitch	0.31 x 0.31 mm
Format	800 x 600
Configuration	RGB Stripe
Backlight	Edge Lit
Character Display	80 x 25
Total Power Consumption	4.2 w
Display Inverter Board	
Input Voltage	12-18 Vdc
Output Voltage	600 Vrms
Maximum Input Power	3.3 W
Maximum Output Power	3 W

**11.3-Inch Color TFT
SVGA Display**

Dimensions (HxW)	6.8 x 9.07 in/17.28 x 23.04 cm
Diagonal Size	11.3 in/28.7 cm
Mounting	Internal
Number of Colors	256, 32K, 64K
Contrast Ratio	100:1
Brightness	80 cd/m ² @ 5 mA
Pixel Resolution	
Pitch	0.288 x 0.288 mm
Format	800 x 600
Configuration	RGB Stripe
Backlight	Edge Lit
Character Display	80 x 25
Total Power Consumption	3.7 w
Display Inverter Board	
Input Voltage	12-18 Vdc
Output Voltage	600 Vrms
Maximum Input Power	3.3 W
Maximum Output Power	3 W

**10.4-Inch Color TFT
SVGA Display**

Dimensions (HxW)	6.24 x 8.32 in/15.84 x 21.13 cm
Diagonal Size	10.4 in/26.4 cm
Mounting	Internal
Number of Colors	256, 32K, 64K
Contrast Ratio	100:1

10.4-Inch Color TFT
SVGA Display (cont'd)

Brightness	80 cd/m ² @ 5 mA
Pixel Resolution	
Pitch	0.264 x 0.264 mm
Format	800 x 600
Configuration	RGB Stripe
Backlight	Edge Lit
Character Display	80 x 25
Total Power Consumption	4.0 W
Display Inverter Board	
Input Voltage	10-21 Vdc
Output Voltage	1200-1500 Vrms
Maximum Input Power	3.5 W
Maximum Output Power	3 W

Hard Drives¹

	810-MB	1.3-GB	2.1-GB
Capacity Per Drive	810 MB	1.3 GB	2.1 GB
SMART, drive fault prediction capable	No	No	Yes
Drive Height	19 mm	19 mm	19 mm
Transfer Rate			
Media	24.9 to 36.0 Mb/s	24.7 to 44.9 Mb/s	48.7 to 74.5 Mb/s
Interface	8.33 Mb/s	16.6 Mb/s	16.6 Mb/s
Sector Interleave	1:1	1:1	1:1
Seek Times (typical, including settling)			
Track-to-track	4 ms	3 ms	3 ms
Average	15 ms	13 ms	13 ms
Maximum	24 ms	25 ms	25 ms
Disk Rotational Speed	4200	4200	4200
Physical Configuration			
Cylinders	2360	2920	4927
Heads	8	10	6
Sectors per track	—	—	—
Bytes per sector	512	512	512
Logical Configuration			
Cylinders	1571	2633	4250
Heads	16	16	16
Sectors per track	63	63	63
Bytes per sector	512	512	512
Buffer Size	128 K	128 K	128K

**MultiBay
Diskette Drive**

Diskette Size	3.5-inch
Light	None
Height	.59-in /1.5 cm
Bytes per sector	512
Sectors per track	
High density	18 (1.44-MB)/15 (1.2-MB)
Low density	9
Tracks per side	
High density	80 (1.44-MB)/80 (1.2-MB)
Low density	80
Read/Write heads	2
Access Times	
Track-to track (high/low)	3 ms
Average (high/low)	95 ms
Settling time	15 ms
Latency average	100 ms

**6X MultiBay CD-ROM
Drive (optional)**

Weight	1 lb/.37 kg
Applicable Disc	CD-DA, CD-ROM, CD ROM XA (except ADPCM), CD-I Photo CD (MultiSession), Video CD, CD+
Center Hole Diameter	5.98 in/15.19 cm
Disc Diameter	4.72 in, 3.15 in/12 cm, 8 cm
Rotational Speed	3180-1200 rpm
Disc Thickness	1.2 mm
Track Pitch	
Access Times (typical including settling)	
Random	200 ms
Full Stroke	450 ms
Audio Output Level	
Line Out	.8-1.2 Vrms (47 k)
Cache Buffer	128 K
Data Transfer Rates (typical, including settling)	
Normal Speed	150 KB/s
Six Speed	900 KB/s
Startup Time	less than 10 seconds

**Nickel Metal Hydride
Battery Pack**

Dimensions (HxWxD)	.8 x 3.9 x 5.6 in/1.9 x 10.0 x 14.1 cm
Weight	1.31 lb/.59 kg
Energy	
Voltage	12 V
Capacity	3.3 Ah
Battery Life²	Over two hours with APM
Temperature	
Operating	50° to 104° F/10° to 40° C
Storage	
No time limit	-4° to 86° F/-20° to 30° C
No longer than 3 months	-4° to 104° F/-20° to 40° C
Over two hours	-4° to 122° F/-20° to 50° C

**Li-Ion Battery Pack
(optional)**

Dimensions (HxWxD)	.8 x 3.9 x 5.6 in/1.9 x 10.0 x 14.1 cm
Weight	1.15 lb/.43 kg
Energy	
Voltage	14.4 V
Capacity	2.6 Ah
Battery Life²	over 2 hours with APM
Temperature	
Operating	50° to 104° F/10° to 40° C
Storage	
Less than 1 month	32° to 140° F/0° to 60° C
Less than 3 months	32° to 113° F/0° to 45° C
Less than 1 year	32° to 68° F/0° to 20° C

AC Adapter

Operating Voltage	90-240 VAC RMS
Operating Current	0.4 - 0.8 A RMS
Operating Frequency Range	47 to 63 Hz AC
Maximum Transient	1k V for 50 ns
Size	4 x 2.25 x 1 in/10.16 x 5.72 x 2.54 cm
Weight	6 oz/170.1 g

**MultiBay Expansion
Base³ (optional)**

Dimensions (HxWxD)	
Without Monitor Support Cover	3.2 x 14.6 x 16.4 in/8.1 x 37.1 x 41.7 cm
With Monitor Support Cover	4.2 x 14.6 x 16.4 in/10.6 x 37.1 x 41.7 cm
Weight	
Expansion Base	6.68 lb/3.03 kg
Monitor Support Cover	2.32 lb/1.05 kg
Power Supply (Input)	
Operating Voltage	90 to 260 VAC
Operating Current	1.0 Amp Maximum
Rated Voltage	100 to 240 VAC
Rated Current	1.0 Amp Maximum
Line Frequency	47 to 63 Hz

**MultiBay Expansion
Base³ (optional) (cont'd)**

Temperature	
Operating	50 to 95° F/10 to 35° C
Nonoperating	-22 to 140° F/-30 to 60° C
Relative Humidity	
Operating	20 to 80%
Nonoperating	5 to 90%
Maximum Altitude	
Operating	10,000 ft/3048 m
Nonoperating	30,000 ft/9144 m
Shock	
Operating	5 G, 11 ms, half sine
Nonoperating	140 G, 2 ms, half sine
Vibration	
Operating	.25 G, 10 to 500 Hz sine .25 octave/minute sweep
Nonoperating	.75 G, 10 to 500 Hz sine .5 octave/minute sweep

**MultiBay-ISA Expansion
Base³ (optional)**

Dimensions (HxWxD)	
Without Monitor Support Cover	4.53 x 14.6 x 16.4 in/11.5 x 37.1 x 41.7 cm
With Monitor Support Cover	5.51 x 14.6 x 16.4 in/13.9 x 37.1 x 41.7 cm
Weight	
Expansion Base	9.7 lb/4.41 kg
Monitor Support Cover	2.32 lb/1.05 kg
Power Supply (Input)	
Operating Voltage	90 to 260 VAC
Operating Current	2.5 Amp Maximum
Rated Voltage	100 to 240 VAC
Rated Current	2.5 Amp Maximum
Line Frequency	47 to 63 Hz
Temperature	
Operating	50 to 95° F/10 to 35° C
Nonoperating	-22 to 140° F/-30 to 60° C
Relative Humidity	
Operating	20 to 80%
Nonoperating	5 to 90%
Maximum Altitude	
Operating	10,000 ft/3048 m
Nonoperating	30,000 ft/9144 m
Shock	
Operating	5 G, 11 ms, half sine
Nonoperating	140 G, 2 ms, half sine
Vibration	
Operating	.25 G, 10 to 500 Hz sine .25 octave/minute sweep
Nonoperating	.75 G, 10 to 500 Hz sine .5 octave/minute sweep
Acoustic	35 db or less

MPEG and TV Video Adapter (optional)

Dimensions (LxDxH)	12.2 x 3.73 x 1 in/30.98 x 9.47 x 2.54 cm
Weight	1 lb/.45 kg
Connectors	
TV Out	S-Video Out Composite Video Out Stereo Audio Line Out (left and right RCA jacks) Stereo Audio Out (with mini-jack)
TV In	S-Video In Composite Video Out Stereo Audio In (with mini-jack)
Other	VGA Pass Through PS/2 Mouse/Keyboard Pass Through Mini-Jack Stereo Audio Line In and Out DC Power Jack
Operating System Support	Windows 3.1, Windows 95
Formats Supported (NTSC/PAL)	MCI CD-i / Video CD 1.0, 1.1, 2.0 MCI MPEG, ReelMagic Compatible MPEG Karaoke 2.0
Capabilities	Video capture and single frame image capture off of TV, VCR, camcorder, laser disc player Live video playback off of TV, VCR, camcorder, laser disc player Hardware MPEG decoding/playback & MPEG single frame image capture Record from notebook to VCR or camcorder
MPEG AC Adapter Specs	
Input	100-240 VAC/50/60 Hz/1.5 A maximum
Output	18 Vdc/45 W maximum

¹ Hard drive specifications may vary slightly depending on vendor.² Battery life will vary based on an estimated typical use pattern of an average user and will vary based on the configuration of the computer and the usage pattern of the individual user.³ The MultiBay Expansion Base is designed in accordance with ANSI specifications (no. X3.131-1993, Rev 10h) and IEEE 802.3 specifications.