

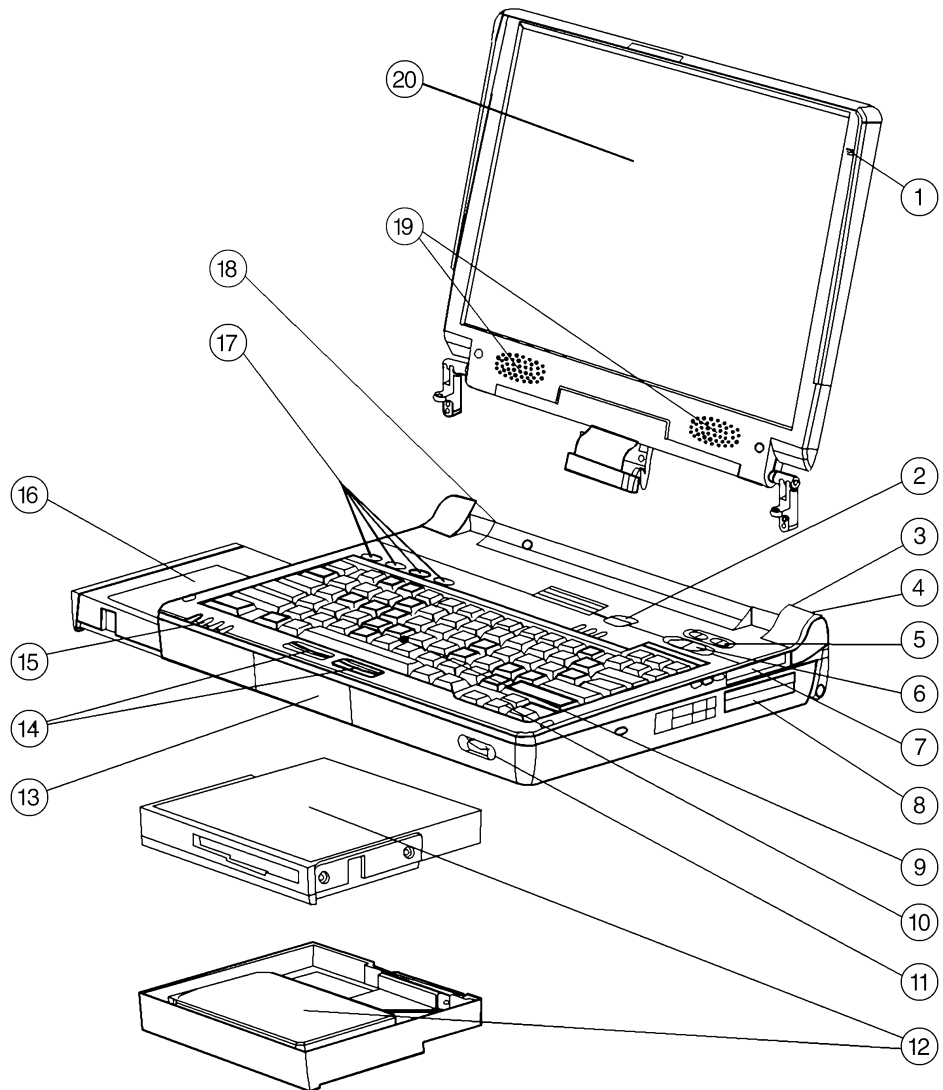
QUICKSPECS

Compaq Armada 7800

Overview

AT A GLANCE

- Intel Mobile Pentium® II processor up to 400 MHz
- AGP (Accelerated Graphics Port) implementation
 - 66 MHz graphics bus
 - 4 MB SGRAM
- 64-MB SDRAM
 - Expandable up to 256 MB
- 56K V.90¹ Modem
- Up to a 28-GB² storage in portable with second 14-GB² Hard Drive
- Integrated AC adapter
- Convenient MultiBay design
- 3-spindle support with Armada 7400/7800 External Diskette Drive option
- Software:
 - Choice of MS Windows 95 or MS Windows NT Workstation 4.0 (SP3)
 - Intelligent Manageability
 - MS Internet Browser
- Compaq Services, including a three-year, Worldwide Limited Warranty³ with second business day⁴ expedited pick-up and repair in North America



1. Microphone
2. Standby Button
3. RJ-11 Connector for integrated 56K⁵ or 33.6 Kb/s data/14.4 fax modem (modem model only)
4. USB Port
5. Volume Control and Mute Buttons
6. Power Switch
7. 25-pin International DAA/Cellular Phone Connector (modem models only/model dependent)
8. Two Type II/One Type III PC Card Slot(s) (zoomed video in bottom slot); CardBus-capable⁶
9. EasyPoint III Pointing Device
10. Keyboard with Dedicated Home, End, Page-up and Page-down Keys and Inverted-T Cursor Keys
11. MultiBay DVD-ROM Drive⁷. 1.44-MB Floppy Drive ships standard with all models
12. Other MultiBay devices (Diskette Drive, second Hard Drive are shown, also available second Battery, SuperDisk LS-120 Drive and CD-ROM Drive)
13. Removable SMART Hard Drive up to 14 GB²
14. Pointing Device Buttons
15. Suspend/Power, Battery, Hard Drive and MultiBay Status LEDs
16. Li-Ion Battery Pack
17. Four User-programmable Keys
18. Integrated AC Adapter (connector on back)
19. Stereo Speakers
20. 14.1-in Color TFT Display

QUICK SPECS

Compaq Armada 7800

Standard Features

MODELS

Windows NT Workstation 4.0 and Integrated Modem

6400/14T/14GB/V/M/3
120958-002

6366/14T/14GB/V/M/3
386743-002

Windows NT Workstation 4.0 Non-Modem

6300/14T/8GB/V/O/3
315050-002

Windows 95 and Integrated Modem

6400/14T/14GB/V/M/1
120956-002

6366/14T/14GB/V/M/1
386741-002

6300/14T/8GB/V/M/1
315130-002

Windows 95 Non-Modem

6300/14T/8GB/V/O/1
315000-002

Powerful/Expandable Design

The Armada 7800 is the ultimate powerhouse, with unprecedented desktop expansion solutions. This portable provides superior performance on the road and unmatched expansion using the award-winning ArmadaStation II.

Processor

Intel Mobile Pentium II processor 400 MHz
6400/14T/14GB/V/M/3
6400/14T/14GB/V/M/1

Intel Mobile Pentium II processor 366 MHz
6366/14T/14GB/V/M/3
6366/14T/14GB/V/M/1

Intel Mobile Pentium II processor 300 MHz
6300/14T/8GB/V/O/3
6300/14T/8GB/V/M/1
6300/14T/8GB/V/O/1

Cache Memory

512-KB L2
6300/14T/8GB/V/O/3
6300/14T/8GB/V/M/1
6300/14T/8GB/V/O/1

Integrated 256-KB L2
6400/14T/14GB/V/M/3
6400/14T/14GB/V/M/1
6366/14T/14GB/V/M/3
6366/14T/14GB/V/M/1

Memory

Standard 64 MB
Maximum 256 MB

Communications

56K V.90¹ Modem
6400/14T/14GB/V/M/3
6400/14T/14GB/V/M/1
6366/14T/14GB/V/M/3
6366/14T/14GB/V/M/1

Integrated 33.6/14.4 Kb/s modem with DSVD upgradable to K56flex⁵ protocol, direct cellular support and protection from power surges and digital phone lines
6300/14T/8GB/V/M/1

Keyboard

101-key compatible keyboard with isolated, inverted-T cursor control keys and right-control key, four user-programmable keys, special feature hotkeys for instant access to power conservation QuickLock/QuickBlank, battery charge status, brightness, mute and toggle between internal and external, or simultaneous displays

Pointing Device

Keyboard-integrated, textured, EasyPoint III

PC Card Slots

Two Type II/One Type III PC Card Slot(s) which support both 32-bit CardBus⁶ and 16-bit PC Cards; Zoomed Video support in bottom slot only; telephony support in top slot only

Standard Features

Storage

Diskette Drive 1.44 MB

DVD-ROM⁷ Drive

Hard Drives

14-GB² SMART

6400/14T/14GB/V/M/3

6400/14T/14GB/V/M/1

6366/14T/14GB/V/M/3

6366/14T/14GB/V/M/1

8-GB² SMART

6300/14T/8GB/V/O/3

6300/14T/8GB/V/M/1

6300/14T/8GB/V/O/1

Multimedia

16-bit Compaq PremierSound™ for enhanced stereo audio (16-bit Sound Blaster Pro compatible), integrated stereo speakers and microphone, software volume control, stereo line-in, headphone out, microphone-in jacks, standard CD-ROM Drive or DVD-ROM Drive, software MPEG1 and hardware Wave Table audio for more realistic sound; software MPEG2 is available

Interfaces

PC Card	Two Type II/One Type III Slot (s)
Enhanced Parallel	1
Serial	1
External Monitor	1
External Keyboard/ Pointing Device	1
Convenience Base	1
Headphone/Line-out	1
Microphone	1
AC Power	1
RJ-11	1 (model dependant)
Infrared	1 (4 Mb/s ⁸ support)
USB	1

Graphics

AGP implementation with dedicated 66-MHz graphics bus. Frame mode supports S3 ViRGE/MX™ graphics controller with 4 MB of 100-MHz SGRAM; up to 100 Hz external refresh at SVGA resolution up to 16.8M colors. Simultaneous display support in different resolutions

Display

14.1-inch CTFT 1024 x 768 panel

Standard Features

Software

Windows NT Workstation 4.0 SP3, Compaq Intelligent Manageability, Security 32, Diagnostics for Windows NT, Compaq Power Management, Online Safety and Comfort Guide, Reference Guide, Carbon Copy

6400/14T/14GB/V/M/3
6366/14T/14GB/V/M/3

Windows NT Workstation 4.0 SP3, Compaq Intelligent Manageability, Microsoft Internet Explorer and Compaq Power Management

6300/14T/8GB/V/O/3

Windows 95 OSR 2.5, Compaq Intelligent Manageability, Security 32, Diagnostics for Windows 95, Compaq Power Management, Online Safety and Comfort Guide, Reference Guide, Carbon Copy

6400/14T/14GB/V/M/1
6366/14T/14GB/V/M/1

Windows 95 OSR 2.5, Compaq Intelligent Manageability, Microsoft Internet Explorer, Microsoft NetMeeting, Microsoft PC Card Manager and Compaq Power Management

6300/14T/8GB/V/M/1
6300/14T/8GB/V/O/1

OS Support

Windows NT Workstation 4.0 SP4
Windows NT Workstation 4.0 SP3
Windows 98
Windows 95 OSR 2.5
Windows 3.1x

Intelligent Manageability

The Armada 7800 lowers total cost of ownership by providing enhanced security, asset management and fault prediction. It also provides system alerts such as SMART Drive alert, battery fault alert, thermal alert, and memory alert for investment and data protection

Security

Cable lock support
Power-on and setup passwords
QuickLock/QuickBlank
Ability to disable serial port, parallel port, PC Card slots, diskette drive, diskette drive boot sequence, infrared port
MultiBay and hard drive security screw
Memory door security screw (tool included)
DriveLock Security for advanced data protection
Password protection resides on the drive

Power Supply

Integrated AC Adapter for less bulky transportation, 8-foot power cord included

Battery

Li-Ion Battery Pack provides over 2 hours of battery life⁹; a second battery can be supported in the MultiBay for increased battery life. Battery QuickCheck button on battery pack provides instant visual indication of charge status. A new enhanced battery option (standard on 366- or 400-MHz models) provides over 3.2 hours of battery life¹⁰.

Power Conservation

Hibernation, Instant-On via Suspend; pop-ups with three presets and one custom level of power conservation

Service and Support

Compaq Services provides a range of services for the Armada 7800, with 7 x 24 service line at 1-800-OK-COMPAQ (1-800-652-6672) and a three-year, Worldwide Limited Warranty³ with second business day⁴ pick-up and delivery service from Compaq. All shipping and handling materials are supplied and arranged by Compaq.

Options

Memory

128-MB SDRAM Memory	315177-B21
64-MB SDRAM Memory	314891-B21
32-MB SDRAM Memory	314890-B21

Monitors¹¹

TFT8000 Flat Panel	307906-001
TFT5000 Flat Panel	325700-001
P1610 Color ¹²	305708-001
P110 Color ¹²	325600-001
P75 Color	307806-001
V1000 Color	351757-001
V900 Color	303500-001
V700 Color (opal)	325800-001
V75 Color (carbon)	307712-002
V500 Color	325900-001
S900 Color ¹²	360562-001
S700 Color	360512-001

Optical Drives

Armada 7400/7800 External Diskette Drive	297186-B21
--	------------

Hard Drives

14-GB ² SMART Hard Drive	354231-B25
8-GB ² SMART Hard Drive	315043-B25

PC Cards/Communications

24X Max ¹³ CD-ROM Drive	298452-B25
DVD-ROM ⁷ Drive	314914-B25
SuperDisk LS-120 Drive	295402-B25
Armada 7800 Hard Drive Adapter	267868-B25
Armada 7000 Hard Drive Adapter	267868-001

PC Cards/Communications

Compaq Microcom 420 56K ⁵ PC Card	317900-001
SpeedPaq Cellular PC Card	221202-001
10/100 TX PC Card UTP Controller	335506-B21
10 T PC Card UTP Controller	292806-B21
10 2 PC Card Coax Controller	292807-B21
10/100 TX PC Card UTP Controller Upgrade	292813-B21
100 Base TX Ethernet Upgrade	225435-001
Int1 Modem Adapter	248075-001
Int1 DAA Cables (country specific)	234407-xx3
16/4 TR PC Card IBM UTP/STP Controller	301208-B21

For additional compatible PC Cards, view the Compaq PC Card Solutions List on the Compaq website at: <http://www.compaq.com/support/techpubs/pcmcia/pccardlist.html>.

Expansion/Convenience Bases

ArmadaStation II Expansion Base (opal)	203100-001
ArmadaStation II Expansion Base (carbon)	112162-001
ArmadaStation Tower Stand (opal)	267863-B25
Armada 7000 Half Height MultiBay Adapter	220681-001
Armada MiniStation E Convenience Base (opal)	327137-001
Monitor Support Stand for MiniStation E Convenience Base (opal)	319660-001

Power

Armada 7000 Battery Charger	220461-001
Armada 7800 Li-Ion Battery Pack	220463-B25
Armada 7800 Enhanced Li-Ion Battery Pack	104723-B25
Auto/Aircraft adapter	296537-B21
AC Power cord, 10-foot	217932-002

Input Devices

External Infrared Transceiver	220687-002
External Enhanced III Keyboard (opal)	294343-001
External Enhanced III Keyboard (carbon)	118003-008
Compaq Mouse (opal)	143315-B21
Compaq Mouse (carbon)	103180-B21
Compaq Microsoft Intellimouse	294306-B21

Other

Security Lock	294316-B21
Portable Video Conferencing Kit	296954-001
Armada Headset with microphone	220460-001
Universal Monitor Stand	294315-B21

Carrying Cases

CPQ Value Case	294266-B21
CPQ Workstation Case	294267-B21
CPQ Global Case	294268-B21
CPQ Professional Case (Nylon)	401366-B21
CPQ Professional Case (Leather)	401367-B21

For additional Compaq Brand cases, call 1-800-888-5903.

Memory

Compaq Armada 7800 Models 6300/14T/8GB/V/O/3, 6300/14T/8GB/V/M/1 and 6300/14T/8GB/V/O/1

STANDARD MEMORY

64-MB SDRAM – 32-MB SDRAM on System Board and 32-MB SDRAM Memory Upgrade installed in one slot

Standard	Slot	
	1	2
64 MB	32 MB	Empty

STANDARD MEMORY PLUS

OPTIONAL MEMORY

Support for up to 192 MB of SDRAM memory is available with the installation of optional SDRAM Memory Upgrade.

Up To	Slot	
	1	2
96 MB	32 MB	32 MB
128 MB	32 MB	64 MB
192 MB	32 MB	128 MB

STANDARD MEMORY REPLACED

WITH OPTIONAL MEMORY

Support for up to 256 MB of SDRAM memory is available with the removal of the standard 32-MB SDRAM Memory Kit and the installation of optional SDRAM Memory Upgrade in addition to the 32-MB SDRAM on the System Board.

Up To	Slot	
	1	2
128 MB	64 MB	64 MB
192 MB	128 MB	64 MB
256 MB	128 MB	128 MB

Note: Because one memory slot is occupied on these products, the 32-MB SDRAM Memory Upgrade (which ships standard on the Armada 7800) must be removed to reach the maximum memory of 256 MB. This chart does not represent all possible memory configurations. Maximum ROM memory support is 256 MB.

Following are memory options from Compaq:

- 128-MB SDRAM Memory Upgrade 315177-B21
- 64-MB SDRAM Memory Upgrade 314891-B21
- 32-MB SDRAM Memory Upgrade 314890-B21

Memory

Compaq Armada 7800 Models 6400/14T/14GB/N/M/3, 6400/14T/14GB/N/M/1, 6366/14T/14GB/N/M/3 and 6366/14T/14GB/N/M/1,

STANDARD MEMORY

64-MB SDRAM Memory Upgrade installed in one slot

Standard	Slot	
	1	2
64 MB	64 MB	Empty

STANDARD MEMORY PLUS OPTIONAL MEMORY

Support for up to 192 MB of SDRAM memory is available with the installation of optional SDRAM Memory Upgrade.

Up To	Slot	
	1	2
96 MB	64 MB	32 MB
128 MB	64 MB	64 MB
192 MB	64 MB	128 MB

STANDARD MEMORY REPLACED WITH OPTIONAL MEMORY

Support for up to 256 MB of SDRAM memory is available with the removal of the standard 64-MB SDRAM Memory Kit and the installation of optional SDRAM Memory Upgrade.

Up To	Slot	
	1	2
192 MB	128 MB	64 MB
256 MB	128 MB	128 MB

Note: Because one memory slot is occupied on these products, the 64-MB SDRAM Memory upgrade (which ships standard on the Armada 7800) must be removed to reach the maximum memory of 256 MB. This chart does not represent all possible memory configurations. Maximum ROM memory support is 256 MB.

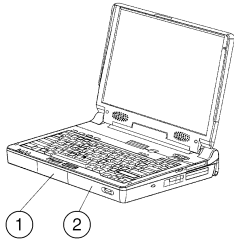
Following are memory options from Compaq:

- 128-MB SDRAM Memory Upgrade 315177-B21
- 64-MB SDRAM Memory Upgrade 314891-B21
- 32-MB SDRAM Memory Upgrade 314890-B21

QUICKSPECS

Compaq Armada 7800

Storage



- 1 MultiBay
- 2 Removable Hard Drive

DRIVE SUPPORT

	Quantity Supported	Drive Bays Supported
Removable Media		
1.44-MB Diskette Drive	Up to 1	MultiBay
DVD-ROM ⁷	Up to 1	MultiBay
24X Max ¹³ CD-ROM Drive	Up to 1	MultiBay
SuperDisk LS-120	Up to 1	MultiBay
Hard Drives		
14-GB ² SMART Hard Drive	Up to 2	Removable Hard Drive and MultiBay
8-GB ² SMART Hard Drive	Up to 2	Removable Hard Drive and MultiBay

Technical Specifications

System Unit

Dimensions (HxWxD)	2 x 12.6 x 10.2 in/5.08 x 32. x 25.9 cm
Weight (modem installed)	
CD-ROM/DVD-ROM configured (13.3-in)	
Without Power Cord	8.7 lbs/4 kg
With Power Cord (total carrying weight)	9 lbs/4.2 kg
Floppy Diskette Drive configured	
Without Power Cord	8.4 lbs/3.8 kg
With Power Cord (total carrying weight)	8.7 lbs/4 kg
Weight Saver configured	
Without Power Cord	7.9 lbs/3.6 kg
With Power Cord (total carrying weight)	8.2 lbs/3.7 kg
CD-ROM/DVD-ROM configured (14.1-in)	
Without Power Cord	8.8 lbs/4 kg
With Power Cord (total carrying weight)	9.2 lbs/4.2 kg
Floppy Diskette Drive configured	
Without Power Cord	8.5 lbs/3.8 kg
With Power Cord (total carrying weight)	8.8 lbs/4 kg
Weight Saver configured	
Without Power Cord	8 lbs/3.6 kg
With Power Cord (total carrying weight)	8.3 lbs/3.8 kg
Stand-Alone Power Requirements	
Average Operating Power	20W
Peak Operating Power	28W
Power Supply	
Rated Input Voltage	100 to 120/220 to 240 VAC
Rated Input Current	1.2/0.6A
Rated Frequency	50 to 60 Hz
Temperature	
Operating	50° to 104°F/10° to 40°C
Non-operating	-4° to 140°F/-20° to 60°C
Relative Humidity	
Operating	10% to 90% relative humidity, non-condensing
Non-operating	5% to 95% relative humidity, 101.6°F/38.7°C Maximum wet bulb temperature
Shock	
Operating	10 G, 11 ms, half sine
Non-operating	60 G, 11 ms, half sine
Vibration	
Operating	0.25 G, 50 to 500 Hz sine, 1/2 octave/minute sweep
Non-operating	1 G, 50 to 500 Hz sine, 1/2 octave/minute sweep
Maximum Altitude	
Operating	0 to 10,000 ft/3,048 m (14.7 to 10.1 psia)
Non-operating	0 to 30,000 ft/9,144 m (14.7 to 4.4 psia)

Technical Specifications

Display LCD

Dimensions	8.5 x 11.27 in/21.59 x 28.63 cm
Diagonal Size	14.1 in/35.81 cm
Mounting	Internal Panel Supports
Number of Colors	Up to 16.8M with dithering
Contrast Ratio	150:1
Brightness	130 cd/m ²
Pixel Resolution	
Pitch	0.264 x 0.264 mm
Format	1024 x 768
Configuration	RGB stripe
Backlight	CCFT (Cold Cathode Fluorescent Tube)
Character Display	80 x 25
Total Power Consumption (maximum)	4.2W

Hard Drives

14 GB²	Capacity	14 GB ²	Seek Time (typical reads, including settling)	
	Height	1 in/25.4 mm	Single Track	4 ms
	Width	2.5 in/63.5 mm	Average	12 ms (read)
	Interface	ATA	Full-Stroke	23 ms
	Transfer Rate		Rotational Speed	4,900 rpm
	Synchronous (Maximum)	33.3 MB/s	Physical Configuration	
			Bytes/sector	512
			Operating Temperature 41° to 131°F/5° to 55°C	
8 GB²	Capacity	8 GB ²	Seek Time (typical reads, including settling)	
	Height	1 in/25.4 mm	Single Track	4 ms
	Width	2.5 in/63.5 mm	Average	12 ms (read)
	Interface	ATA	Full-Stroke	23 ms
	Transfer Rate		Rotational Speed	4,902 rpm
	Synchronous (Maximum)	33.3 MB/s	Physical Configuration	
			Bytes/sector	512
			Operating Temperature 41° to 131°F/5° to 55°C	

Technical Specifications

Diskette Drive

Diskette Size	3.5 in
Light	On system
Height	0.5 in/12.7 mm
Bytes per Sector	512
Sectors per track	
High density	18 (1.44 MB)/15 (1.2 MB)
Low density	9
Tracks per side	
High density	80 (1.44 MB)/80 (1.2 MB)
Low density	80
Read/Write heads	2
Access Times	
Track-to-track (high/low)	3 ms/6 ms
Average (high/low)	94 ms/174 ms
Settling time	15 ms
Latency average	100 ms

Li-Ion Battery Pack

Dimensions	0.92 x 3.46 x 5.44 in/2.34 x 8.8 x 13.82 cm
Weight	0.89 lb/0.4 kg
Energy	
266/300 MHz	
Voltage	14.4 V
Amp-hour capacity	2.7 Ah
Watt-hour capacity	38.8Wh
366/400 MHz	
Voltage	14.4 V
Amp-hour capacity	3.2 Ah
Watt-hour capacity	46Wh (with calibration)
Performance	
266/300 MHz	
Single battery life	Over 2 hours ⁹
366/400 MHz	
Single battery life	Over 3.2 hours ¹⁰
Temperature	
Operating	50° to 104°F/10° to 40°C
Non-operating - recommended storage	-12° to 140°F/-30° to 60°C

Technical Specifications

DVD-ROM⁷

Center Hole Diameter	0.59 in/0.39 cm
Disc Diameter	12 cm, 8 cm
Disc Thickness	1.2 mm
Track Pitch	0.74 μ m
Access Times (typical reads, including settling)	
Random	< 150 ms
Full-Stroke	< 225 ms
Audio Output Level	
Line-Out	0.7 Vrms (typical)
Cache Buffer	128 Kb/s (minimum)
Data Transfer Rates	
Sustained 1X	150 Kb/s
Sustained DVD	2,760 Kb/s
Normal PIO Mode 4 (single burst)	16.6 Mb/s
Start-up Time	< 15 sec (typical)
Stop Time	< 6 sec

24X Max¹³ CD-ROM Drive

Applicable Disc	CD-ROM (Mode 1, 2 and 3), CD-XA ready (Mode 2, Form 1 and 2), CD-I ready (Mode 2, Form 1 and 2), CD-R (read only), CD Plus, Photo CD (Single and Multi-session), CD Extra, Video CD, CD-WO (fixed packets only) CD-Bridge
Center Hole Diameter	0.59 in/.39 cm
Disc Diameter	12 cm, 8 cm
Disc Thickness	1.2 mm
Track Pitch	1.6 μ m
Access Times (typical reads, including settling)	
Random	< 150 ms
Full-Stroke	< 300 ms
Audio Output Level	
Line-Out	0.7 Vrms
Cache Buffer	128 KB
Data Transfer Rates	
Sustained	150 KB/s (sustained 1X)
Variable	1500 to 3600 KB/s (10X to 24X)
Start-up Time	< 8 sec
Stop Time	< 4 sec

Technical Specifications

- ¹ Designed only to allow faster downloads from 56K V.90 compliant sources. Maximum achievable download transmission rates currently do not reach 56 KB/s, and will vary with line conditions. Modem only supports Windows 9.x and Windows NT Workstation 4.0.
- ² For Hard Drives, GB = Billion Bytes.
- ³ Certain restrictions and exclusions apply. Service and support programs vary by geographic regions. Consult the Compaq Customer Support Center for details.
- ⁴ Pick up and delivery service is available in 48 contiguous US States and Canada. Eligibility for priority pick-up (second business day return) is limited to certain geographic locations. Carry-in services available outside the US and Canada.
- ⁵ Designed only to allow faster downloads from K56flex compliant sources. Maximum achievable download transmission rates currently do not reach 56 KB/s, and will vary with line conditions. Modem only supports Microsoft Windows 9.x and Microsoft Windows NT 4.0.
- ⁶ Full support in Windows 9.x.
- ⁷ DVD Express software is available through the Business Reply card that ships standard with the portable or optional DVD-ROM Drive. DVD Express allows video playback of DVD movies, etc, except under Windows NT Workstation 4.0. The DVD-ROM Drive has the capacity to store up to 7 times the capacity of a CD-ROM Drive.
- ⁸ IrDA 4 MB compliant. IR performance will vary depending on performance of IR peripherals and applications used.
- ⁹ Actual results may vary with individual usage. When tested in standard configuration, using the Ziff-Davis BatteryMark Test v 2.0, the battery life of the Armada 7800 will range up to 2.2 hours. Standard configuration at time of announcement (4/2/98) is considered to be one battery, a 1024 x 768 (256 colors) 13.3" panel set at 50 percent brightness, 64-MB RAM and no drives other than the hard drive active.
- ¹⁰ Actual results may vary with individual usage. When tested in standard configuration, using the Ziff-Davis BatteryMark Test v 2.0, the battery life of the Armada 7800 will range up to 3.3 hours. Standard configuration at time of announcement (1/25/99) is considered to be one battery, a 1024 x 768 (256 colors) 14.1" panel set at 50 percent brightness, 64-MB RAM and no drives other than the hard drive active.
- ¹¹ AssetControl monitor. AssetControl features are accessible with Compaq desktops featuring Intelligent Manageability.
- ¹² May not be compatible with the ArmadaStation Monitor Support Stand, the Convenience Base I, or the Convenience Base II due to weight limitations.
- ¹³ Data transfer rates will vary from 150 Kb/s to 3600 Kb/s.