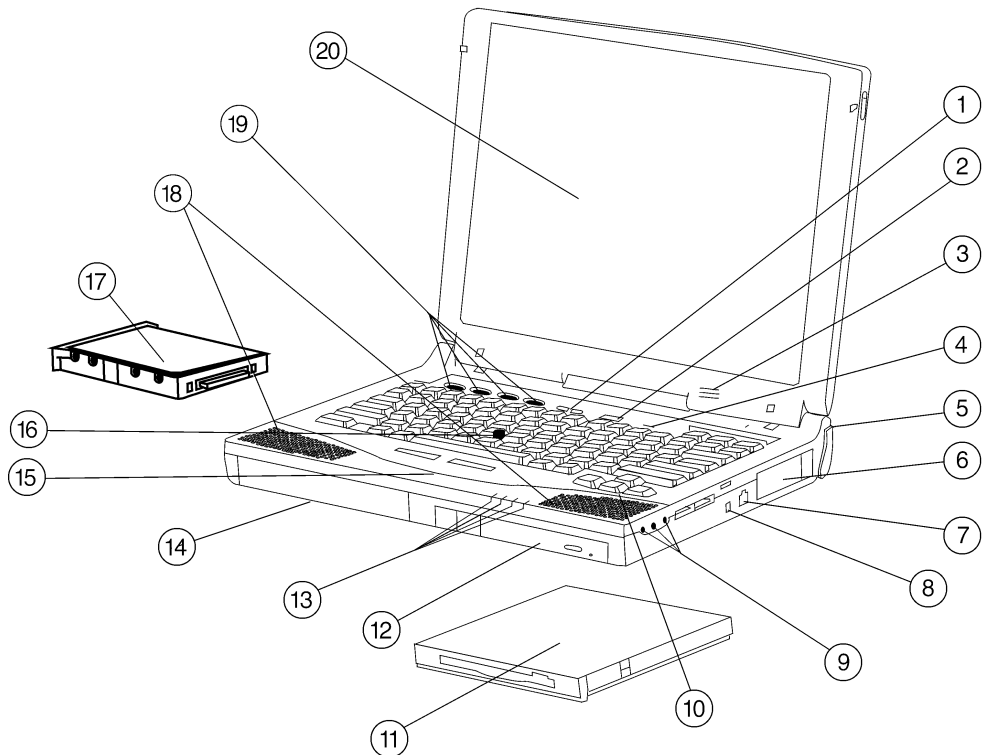


Overview

AT A GLANCE

- Intel Mobile Pentium® II processor up to 366 MHz
- AGP (Accelerated Graphics Port) implementation
 - 66-MHz graphics bus
 - 4-MB SGRAM
- Durable Magnesium alloy casing
- As light as 6.3 lbs and 1.6 inches thin
- 64-MB Synchronous DRAM standard
 - Expandable up to 256 MB
- 56K V.90¹ Modem
- Up to 20 GB² storage in portable with second 10 GB² Hard Drive
- Convenient MultiBay design
- 3 spindle support with Armada 7400/7800 External Diskette Drive option
- Software:
 - Choice of MS Windows 95 or MS Windows NT Workstation 4.0 (SP3)
 - Intelligent Manageability
 - MS Internet Browser
- Compaq Services, including a three-year, Worldwide Limited Warranty³ with second business day⁴ expedited pick-up and repair in North America



- | | |
|--|---|
| 1. Volume Button | 12. MultiBay ships with 24X Max ⁶ CD-ROM Drive, or DVD-ROM ⁷ Drive. 1.44 MB Floppy Drive ships standard with all models |
| 2. Suspend Button | 13. Suspend/Power, Battery, Hard Drive, MultiBay status LEDs |
| 3. Microphone | 14. Li-Ion Battery Pack |
| 4. Power Switch | 15. Pointing Device Buttons |
| 5. Tilt Feet | 16. EasyPoint III Pointing Stick |
| 6. Two Type II/One Type III PC Card Slot(s) (Zoomed video in bottom slot); CardBus ⁵ Capable | 17. Removable SMART Hard Drive up to 10 GB ² |
| 7. Integrated Modem RJ-11 (modem models only) | 18. Stereo Speaker |
| 8. Security Slot | 19. Four User-Programmable Keys |
| 9. Headphone/Microphone/Stereo Line-In Jacks | 20. 14.1 or 13.3 Color TFT Display |
| 10. Inverted-T Cursor Keys | |
| 11. Other MultiBay devices (Diskette Drive [pictured], second hard drive, SuperDisk LS-120 option and DVD-ROM Drive) | |

QUICK SPECS

Compaq Armada 7400

Standard Features

MODELS

Windows NT Workstation 4.0 and Integrated Modem

6366/14T/10GB/V/M/3

387071-002

6366/13T/10GB/V/M/3

387072-002

6333/13T/6.4GB/D/M/3

386687-002

Windows NT Workstation 4.0 Non-Modem

6300/13T/6.4GB/D/0/3

204450-002

Windows 95 and Integrated Modem

6366/14T/10GB/V/M/1

387070-002

6366/13T/10GB/V/M/1

387068-002

6333/13T/6.4GB/D/M/1

341900-002

6300/13T/6.4GB/D/M/1

204200-002

Windows 95 Non-Modem

6300/13T/6.4GB/D/0/1

204250-002

Powerful Slimline Design

The Armada 7400 is optimized for performance and mobility with unprecedented desktop expansion solutions. This durable portable's sleek new design incorporates Compaq's first magnesium alloy case.

Processor

Intel Mobile Pentium II processor 366 MHz

6366/14T/10GB/V/M/3

6366/13T/10GB/V/M/3

6366/14T/10GB/V/M/1

6366/13T/10GB/V/M/1

Intel Mobile Pentium II processor 333 MHz

6333/13T/6.4GB/D/M/3

6333/13T/6.4GB/D/M/1

Intel Mobile Pentium II processor 300 MHz

6300/13T/6.4GB/D/0/3

6300/13T/6.4GB/D/M/1

6300/13T/6.4GB/D/0/1

Cache Memory

512-KB level 2

6300/13T/6.4GB/D/0/3

6300/13T/6.4GB/D/M/1

6300/13T/6.4GB/D/0/1

Integrated 256-KB L2

6366/14T/10GB/V/M/3

6366/13T/10GB/V/M/3

6366/14T/10GB/V/M/1

6366/13T/10GB/V/M/1

6333/13T/6.4GB/D/M/3

6333/13T/6.4GB/D/M/1

Memory

Standard 64 MB

Maximum 256 MB

Communications

Integrated 56K V.90¹ Modem

6366/14T/10GB/V/M/3

6366/13T/10GB/V/M/3

6366/14T/10GB/V/M/1

6366/13T/10GB/V/M/1

6333/13T/6.4GB/D/M/3

6333/13T/6.4GB/D/M/1

Integrated 33.6/14.4 Kb/s modem with DSVD upgradable to K56flex⁸ protocol, direct cellular support and protection from power surges and digital phone lines

6300/13T/6.4GB/D/M/1

Keyboard

101-key compatible keyboard with isolated, inverted-T cursor control keys and right-control key, four user-programmable keys, special feature hotkeys for instant access to power conservation, QuickLock/QuickBlank, battery charge status, brightness, mute, and toggle between internal and external, or simultaneous displays

Standard Features

Pointing Device

Keyboard-integrated, textured, EasyPoint III

PC Card Slots

Two Type II/One Type III PC Card Slot(s), which support both 32-bit CardBus⁵ and 16-bit PC Cards; Zoomed Video support in bottom slot only; telephony support in top slot only

Storage

Diskette Drives 1.44 MB

DVD-ROM Drive⁷

6366/14T/10GB/V/M/3
6366/13T/10GB/V/M/3
6366/14T/10GB/V/M/1
6366/13T/10GB/V/M/1

CD-ROM

24X Max⁶ CD-ROM Drive

6333/13T/6.4GB/D/M/3
6333/13T/6.4GB/D/M/1
6300/13T/6.4GB/D/O/3
6300/13T/6.4GB/D/O/1
6300/13T/6.4GB/D/M/1

Hard Drives

10-GB² SMART Hard Drive

6366/14T/10GB/V/M/3
6366/13T/10GB/V/M/3
6366/14T/10GB/V/M/1
6366/13T/10GB/V/M/1

6.4-GB² SMART Hard Drive

6333/13T/6.4GB/D/M/3
6333/13T/6.4GB/D/M/1
6300/13T/6.4GB/D/O/3
6300/13T/6.4GB/D/M/1
6300/13T/6.4GB/D/O/1

Standard Features

Multimedia

16-bit Compaq PremierSound™ and Hardware Wave Table for enhanced audio (16-bit Sound Blaster Pro compatible), integrated stereo speakers and Bass Reflex speaker ports, integrated microphone, hardware and software volume control, headphone, microphone and stereo line-in jacks, standard CD-ROM Drive or DVD Drive, software MPEG1, software MPEG2 available

Interfaces

| | |
|---|---------------------------------|
| PC Card | Two Type II/One Type III |
| Enhanced Parallel | 1 |
| Serial | 1 |
| External Monitor | 1 |
| External Keyboard/ Pointing Device (PS/2) | 1 |
| Convenience Base | 1 |
| Headphone/Line-out | 1 |
| Stereo Line-In | 1 |
| Microphone | 1 |
| AC Power | 1 |
| RJ-11 | 1 |
| Infrared | 1 (4 Mb/s ⁹ support) |
| USB | 1 |
| Expansion Base | 1 |
| Support for Third-Party Y- Cables (for external mouse and keyboard) | Yes |

Graphics

AGP implementation with dedicated 66-MHz graphics bus
Frame mode support
S3 ViRGE/MX™ graphics controller with 4-MB SGRAM
Up to 100 Hz external refresh at SVGA resolution up to 16.8M colors
Simultaneous Display support in any resolution

Display

14.1-in CTFT 1024 x 768 panel
6366/14T/10GB/V/M/3
6366/14T/10GB/V/M/1

13.3-in CTFT 1024 x 768 panel
6366/13T/10GB/V/M/3
6366/13T/10GB/V/M/1
6333/13T/6.4GB/D/M/3
6333/13T/6.4GB/D/M/1
6300/13T/6.4GB/D/M/1
6300/13T/6.4GB/D/O/3
6300/13T/6.4GB/D/O/1

Standard Features

Software

Windows NT Workstation 4.0, Insight Management Agents, Compaq Intelligent Manageability, Security 32, Diagnostics for Windows NT, Compaq Power Management, Online Safety and Comfort Guide, Reference Guide and Carbon Copy

6366/14T/10GB/V/M/3
6366/13T/10GB/V/M/3
6333/13T/6.4GB/D/M/3

Windows NT Workstation 4.0 SP3, Compaq Intelligent Manageability, Microsoft Internet Explorer and power management

6300/13T/6.4GB/D/0/3

Windows 95 OSR 2.5, Insight Management Agents, Compaq Intelligent Manageability, Security 32, Diagnostics for Windows 95, Compaq Power Management, Online Safety and Comfort Guide, Reference Guide and Carbon Copy

6366/14T/10GB/V/M/1
6366/13T/10GB/V/M/1
6333/13T/6.4GB/D/M/1

Windows 95 OSR 2.5, Compaq Intelligent Manageability, Microsoft Internet Explorer, Microsoft NetMeeting, Microsoft PC Card Manager

6300/13T/6.4GB/D/M/1
6300/13T/6.4GB/D/0/1

OS Support

Windows NT Workstation 4.0 SP4
Windows NT Workstation 4.0 SP3
Windows 98
Windows 95 OSR 2.5
Windows 3.1x

Intelligent Manageability

The Armada 7400 lowers total cost of ownership by providing enhanced security, asset management and fault prediction. It also provides SMART hard drive alert, battery fault alert, thermal alert and memory alert for investment and data protection.

Security

Cable lock support
Power-on and setup passwords
QuickLock/QuickBlank
Ability to disable serial port
Parallel port, PC Card slots
Diskette drive
Diskette drive boot sequence
Infrared port
MultiBay and hard drive security screw
Memory door security screw (tool included)
DriveLock Security for advanced data protection
Password protection resides on the drive

Power Supply

External AC Adapter with 6-foot power cord

Standard Features

Battery

Li-Ion Battery Pack provides up to 2.6 hours¹⁰ of battery life. Battery can be swapped when the portable is in Standby mode. Battery QuickCheck button on battery pack provides instant visual indication of charge status. A new enhanced battery option (standard on 333/366 MHz models) provides over 3.5 hours of battery life¹¹.

Power Conservation

Hibernation, Instant-On via Suspend/Standby; pop-ups with three presets and one custom level of power conservation

Service and Support

Compaq Services provides a range of services for the Armada 7400, with 7 x 24 service line at 1-800-OK-COMPAQ (1-800-652-6672) and a three-year, Worldwide Limited Warranty³ with second business day⁴ pick-up and delivery service from Compaq. All shipping and handling materials are supplied and arranged by Compaq.

Options

Memory

| | |
|---------------------|------------|
| 128-MB SDRAM Memory | 315177-B21 |
| 64-MB SDRAM Memory | 314891-B21 |
| 32-MB SDRAM Memory | 314890-B21 |

Monitors¹²

| | |
|---------------------------|------------|
| TFT8000 Flat Panel | 307906-001 |
| TFT5000 Flat Panel | 325700-001 |
| P1610 Color ¹³ | 305708-001 |
| P110 Color ¹³ | 325600-001 |
| P75 Color | 307806-001 |
| V1000 Color | 351757-001 |
| V900 Color | 303500-001 |
| V700 Color (opal) | 325800-001 |
| V75 Color (carbon) | 307710-002 |
| V500 Color | 325900-001 |
| S900 Color ¹³ | 360562-001 |
| S700 Color | 360512-001 |

Optical Drive

| | |
|--|------------|
| Armada 7400/7800 External Diskette Drive | 297186-B21 |
|--|------------|

Hard Drive

| | |
|--------------------------------------|------------|
| 10-GB ² SMART Hard Drive | 354230-B25 |
| 6.4-GB ² SMART Hard Drive | 204220-B25 |

MultiBay Devices

| | |
|---|------------|
| SuperDisk LS-120 Drive | 296502-B25 |
| DVD-ROM ⁷ Drive | 314914-B25 |
| 24X Max ⁶ CD-ROM Drive | 298452-B25 |
| Armada 7400 Hard Drive Adapter (carbon) | 267867-B25 |

PC Cards/Communications

| | |
|--|------------|
| Compaq Microcom 420 56K ⁸ PC Card | 317900-001 |
| SpeedPaq Cellular PC Card | 221202-001 |
| 10/100 TX PC Card UTP Controller | 335506-B21 |
| 10 T PC Card UTP Controller | 292806-B21 |
| 10 2 PC Card Coax Controller | 292807-B21 |
| 10/100 TX PC Card UTP Controller Upgrade | 292813-B21 |
| 100 Base TX Ethernet Upgrade | 225435-001 |
| Int ¹ Modem Adapter | 248075-001 |
| Int ¹ DAA Cables (country specific) | 234407-xx3 |
| 16/4 TR PC Card IBM UTP/STP Controller | 301208-B21 |

For additional compatible PC Cards, view the Compaq PC Card Solutions List on the Compaq website at:
<http://www.compaq.com/support/techpubs/pcmcia/pccardlist.html>.

Expansion/Convenience Bases

| | |
|--|------------|
| ArmadaStation II Expansion Base (opal) | 203100-001 |
| ArmadaStation II Expansion Base (carbon) | 112162-001 |
| ArmadaStation Tower Stand (opal) | 267863-B25 |
| Armada 7000 Half Height MultiBay Adapter | 220681-001 |
| Armada 7000 Hard Drive Adapter | 267868-B25 |
| MiniStation E Monitor Cover (opal) | 319660-001 |
| Armada MiniStation E Convenience Base (opal) | 327137-001 |

Power

| | |
|--|------------|
| Armada 7400 Li-Ion Battery Pack | 267865-B25 |
| Armada 7400 Enhanced Li-Ion Battery Pack | 104724-B25 |
| Armada 7000 Battery Charger | 220461-001 |
| Auto/Aircraft adapter | 296537-B21 |
| AC Power cord 10-foot | 217932-002 |
| AC Adapter (carbon) | 220841-005 |

Input Devices

| | |
|---|------------|
| External Infrared Transceiver | 220687-002 |
| External Enhanced III Keyboard (opal) | 294343-001 |
| External Enhanced III Keyboard (carbon) | 118003-008 |
| Compaq Mouse (opal) | 143315-B21 |
| Compaq Mouse (carbon) | 103180-B21 |
| Compaq/Microsoft Intellimouse | 294306-B21 |

Other

| | |
|---------------------------------|------------|
| Security Lock | 294316-B21 |
| Portable Video Conferencing Kit | 296954-001 |
| Universal Monitor Stand | 294315-B21 |
| Armada Headset with microphone | 220460-001 |

Carrying Cases

| | |
|---------------------------------|------------|
| CPQ Value Case | 294260-B21 |
| CPQ Workstation Case | 294267-B21 |
| CPQ Global Case | 294268-B21 |
| CPQ Professional Case (Nylon) | 401366-B21 |
| CPQ Professional Case (Leather) | 401367-B21 |

For additional Compaq Brand cases, call 1-800-888-5903.

Memory

Compaq Armada 7400 models 6333/14T/10GB/N/M/3, 6366/13T/10GB/N/M/3, 6366/14T/10GB/N/M/1, 6366/13T/10GB/N/M/1, 6333/13T/6.4GB/D/M/3, 6333/13T/6.4GB/D/M/1, 6300/13T/6.4GB/D/O/3, 6300/13T/6.4GB/D/M/1, and 6300/13T/6.4GB/D/O/1

STANDARD MEMORY

64-MB SDRAM Memory Upgrade installed in one slot

| Standard | Slot | |
|----------|-------|-------|
| | 1 | 2 |
| 64 MB | 64 MB | Empty |

STANDARD MEMORY PLUS

OPTIONAL MEMORY

Support for up to 192 MB of SDRAM is available memory with the installation of an optional SDRAM Memory Upgrade.

| Up To | Slot | |
|--------|-------|--------|
| | 1 | 2 |
| 96 MB | 64 MB | 32 MB |
| 192 MB | 64 MB | 128 MB |

STANDARD MEMORY REPLACED

WITH OPTIONAL MEMORY

Support for up to 256 MB of SDRAM memory is available with the removal of the standard 32-MB Memory Upgrade and the installation of optional SDRAM Memory Upgrade.

| Up To | Slot | |
|--------|--------|--------|
| | 1 | 2 |
| 128 MB | 128 MB | Empty |
| 192 MB | 128 MB | 64 MB |
| 256 MB | 128 MB | 128 MB |

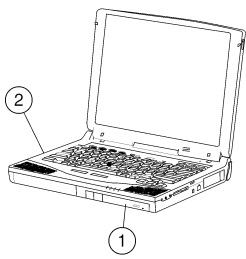
Note: Because one memory slot is occupied on these products, the 64-MB Memory upgrade must be removed to reach the maximum memory of 256 MB. This chart does not represent all possible memory configurations.

Following are memory options available from Compaq:

- 128-MB SDRAM Memory Upgrade 315177-B21
- 64-MB SDRAM Memory Upgrade 314891-B21
- 32-MB SDRAM Memory Upgrade 314890-B21

Storage

DRIVE SUPPORT



- 1 MultiBay
- 2 Upgradable Hard Drive

| | Quantity Supported | Drive Bay Supported |
|--------------------------------------|--------------------|------------------------------------|
| Removable Media | | |
| 1.44-MB Diskette Drive | Up to 1 | MultiBay |
| DVD-ROM ² Drive | Up to 1 | MultiBay |
| 24X Max ⁶ CD-ROM Drive | Up to 1 | MultiBay |
| SuperDisk LS-120 | Up to 1 | MultiBay |
| Hard Drives | | |
| 10-GB ² SMART Hard Drive | Up to 2 | Upgradable Hard Drive and MultiBay |
| 6.4-GB ² SMART Hard Drive | Up to 2 | Upgradable Hard Drive and MultiBay |

Technical Specifications

System Unit

| | |
|---|--|
| Dimensions (HxWxD) | 1.6 x 12.5 x 9.6 in/4.06 x 31.75 x 24.38 cm |
| Weight (modem installed) | |
| CD-ROM configured | |
| Without AC Adapter | 7 lbs/3.2 kg |
| With AC Adapter (total carrying weight) | 7.9 lbs/3.5 kg |
| FDD configured | |
| Without AC Adapter | 6.7 lbs/3 kg |
| With AC Adapter (total carrying weight) | 7.6 lbs/3.3 kg |
| Weight Saver configured | |
| Without AC Adapter | 6.4 lbs/2.8 kg |
| With AC Adapter (total carrying weight) | 7.3 lbs/3.2 kg |
| Weight (no modem installed) | |
| CD-ROM configured | |
| Without AC Adapter | 7 lbs/3.2 kg |
| With AC Adapter (total carrying weight) | 7.9 lbs/3.4 kg |
| FDD configured | |
| Without AC Adapter | 6.7 lbs/2.9 kg |
| With AC Adapter (total carrying weight) | 7.6 lbs/3.4 kg |
| Weight Saver configured | |
| Without AC Adapter | 6.3 lbs/2.7 kg |
| With AC Adapter (total carrying weight) | 7.2 lbs/3.1 kg |
| Stand-Alone Power Requirements | |
| Average Operating Power | 20W |
| Peak Operating Power | 28W |
| Power Supply | |
| Rated Input Voltage | 100 to 120/220 to 240 |
| Rated Input Current | 1.2/0.6A |
| Rated Frequency | 50 to 60 Hz |
| Temperature | |
| Operating | 50° to 104°F/10° to 40°C |
| Non-operating | -4° to 140°F/-20° to 60°C |
| Relative Humidity | |
| Operating | 10% to 90% relative humidity, non-condensing |
| Non-operating | 5% to 95% relative humidity, 101.6°F/38.7°C Maximum wet bulb temperature |
| Shock | |
| Operating | 10 G, 11 ms, half-sine |
| Non-operating | 60 G, 11 ms, half-sine |
| Vibration | |
| Operating | 0.25 G, 50 to 500 Hz sine, 1/2 octave/minute sweep |
| Non-operating | 1 G, 50 to 500 Hz sine, 1/2 octave/minute sweep |
| Maximum Altitude | |
| Operating | 0 to 10,000 ft/3,048 m (14.7 to 10.1 psia) |
| Non-operating | 0 to 30,000 ft/9,144 m (14.7 to 4.4 psia) |

Technical Specifications

Display LCD

| | |
|--|----------------------------------|
| Dimensions | 7.98 x 10.64 in/20.28 x 27.03 cm |
| Diagonal Size | 13.3 in/33.79 cm |
| Mounting | Internal Panel Supports |
| Number of Colors | Up to 16.8M |
| Contrast Ratio | 150:1 |
| Brightness | 130 cd/m ² |
| Pixel Resolution | |
| Pitch | 0.264 x 0.264 mm |
| Format | 1024 x 768 |
| Configuration | RGB stripe |
| Backlight | Edge Lit |
| Character Display | 80 x 25 |
| Total Power Consumption (maximum) | 4.2W |

Hard Drives

| | | | | |
|--------------------------|-----------------------|------------------------------|--|-------------------------|
| 10 GB² | Capacity | 10 GB ² | Seek Time (typical reads, including settling) | |
| | Height | 1 in/25.4 mm | Single Track | 4 ms |
| | Width | 2.5 in/63.5 mm | Average | 12 ms |
| | Interface | ATA | Full-Stroke | 23 ms |
| | Transfer Rate | | Rotational Speed | 4,200 rpm |
| | Synchronous (Maximum) | 33.3 MB/s | Physical Configuration | |
| | | | Bytes/sector | 512 |
| | | Operating Temperature | | 41° to 131°F/5° to 55°C |

| | | | | |
|---------------------------|-----------------------|------------------------------|--|-------------------------|
| 6.4 GB² | Capacity | 6.4 GB ² | Seek Time (typical reads, including settling) | |
| | Height | 1 in/25.4 mm | Single Track | 4 ms |
| | Width | 2.5 in/63.5 mm | Average | 13 ms |
| | Interface | ATA | Full-Stroke | 23 ms |
| | Transfer Rate | | Rotational Speed | 4,009 rpm |
| | Synchronous (Maximum) | 33.3 MB/s | Physical Configuration | |
| | | | Bytes/sector | 512 |
| | | Operating Temperature | | 41° to 131°F/5° to 55°C |

Technical Specifications

Diskette Drive

| | |
|---------------------------|--------------------------|
| Diskette Size | 3.5 in |
| Light | on system |
| Height | 0.5 in/12.7 mm |
| Bytes per Sector | 512 |
| Sectors per track | |
| High density | 18 (1.44 MB)/15 (1.2 MB) |
| Low density | 9 |
| Tracks per side | |
| High density | 80 (1.44 MB)/80 (1.2 MB) |
| Low density | 80 |
| Read/Write heads | 2 |
| Access Times | |
| Track-to-track (high/low) | 3 ms/6 ms |
| Average (high/low) | 94 ms/174 ms |
| Settling time | 15 ms |
| Latency average | 100 ms |

AC Adapter

| | |
|------------------------------|---|
| Dimensions (HxWxL) | 5 x 2.08 x 1.15 in/12.7 x 5.29 x 2.92 mm |
| Weight | 0.62 lbs/0.282 kg |
| Power Supply Input | |
| Nominal Voltage | 120 VAC |
| Current | 0.6/1 A |
| Voltage Range | 90 to 265 VAC |
| Input Frequency | 47 to 63 Hz |
| Power Supply (Output) | |
| Nominal Voltage | 18.85 VDC |
| Current | 3.2 A |
| Temperature | |
| Nominal Operating | 77°F/25°C |
| Operating | 41° to 104°F/5° to 40°C |
| Non-operating | -4° to 185° F/-20° to 85°C |
| Relative Humidity | |
| Operating | The power supply withstands up to 95% relative humidity, non-condensing both operating and non-operating without degradation. |
| Non-operating | |

Technical Specifications

Li-Ion Battery Pack

| | |
|--|---------------------------------------|
| Dimensions | 79 x 3.46 x 5.43 in/2 x 8.8 x 13.8 cm |
| Weight | 0.92 lb/0.4 kg |
| Energy | |
| 266/300 MHz | |
| Voltage | 14.4 V |
| Amp-hour capacity | 3.02 Ah |
| Watt-hour capacity | 43Wh |
| 333/366 MHz | |
| Voltage | 14.4 V |
| Amp-hour capacity | 3.02 Ah |
| Watt-hour capacity | 46Wh (with calibration) |
| Performance | |
| 266/300 MHz | |
| Single battery life | Over 2.5 hours ¹⁰ |
| 333/366 MHz | |
| Single battery life (with calibration) | Over 3.5 hours ¹¹ |
| Temperature | |
| Operating | 50° to 104°F/10° to 40°C |
| Non-operating recommended storage | -12° to 140°F/-30° to 60°C |

DVD-ROM⁷ Drive

| | |
|---|--------------------|
| Center Hole Diameter | 0.59 in/.39 cm |
| Disc Diameter | 12 cm, 8 cm |
| Disc Thickness | 1.2 mm |
| Track Pitch | 0.74 μm |
| Access Times (typical reads, including settling) | |
| Random | < 150 ms |
| Full-Stroke | < 225 ms |
| Audio Output Level | |
| Line-Out | 0.7 Vrms (typical) |
| Cache Buffer | 128 Kb/s (minimum) |
| Data Transfer Rates | |
| Sustained 1X | 150 Kb/s |
| Sustained DVD | 2,760 Kb/s |
| Normal PIO Mode 4 (single burst) | 16.6 Mb/s |
| Start-up Time | < 15 sec (typical) |
| Stop Time | < 6 sec |

Technical Specifications

24X Max⁶ CD-ROM Drive

| | |
|---|---|
| Applicable Disc | CD-ROM (Mode 1, 2 and 3), CD-XA ready (Mode 2, Form 1 and 2), CD-I ready (Mode 2, Form 1 and 2), CD-R (read only), CD Plus, Photo CD (Single and Multi-session), CD Extra, Video CD, CD-WO (fixed packets only) CD-Bridge |
| Center Hole Diameter | 0.59 in./ 39 cm |
| Disc Diameter | 12 cm, 8 cm |
| Disc Thickness | 1.2 mm |
| Track Pitch | 1.6 μ m |
| Access Times (typical reads, including settling) | |
| Random | < 150 ms |
| Full-Stroke | < 300 ms |
| Audio Output Level | |
| Line-Out | 0.7 Vrms |
| Cache Buffer | 128 KB |
| Data Transfer Rates | |
| Sustained | 150 KB/s (sustained 1X) |
| Variable | 1500 to 3600 KB/s (10X to 24X) |
| Start-up Time | < 8 sec |
| Stop Time | < 4 sec |

¹ Designed only to allow faster downloads from 56K V.90 compliant sources. Maximum achievable download transmission rates currently do not reach 56 KB/s, and will vary with line conditions. Modem only supports Windows 9.x and Windows NT Workstation 4.0.

² For Hard Drives, GB = Billion Bytes.

³ Certain restrictions and exclusions apply. Service and support programs vary by geographic regions. Consult the Compaq Customer Service Center for details.

⁴ Pick-up and delivery service is available in 48 contiguous US States and Canada. Eligibility for priority pick-up (second business day return) is limited to certain geographic locations. Carry-in services available outside the US and Canada.

⁵ Full support in Windows 9.x.

⁶ Data transfer rates will vary from 150 KB/s to 3600 KB/s.

⁷ DVD Express software is available through the Business Reply card that ships standard with the portable or optional DVD-ROM Drive. DVD Express allows video playback of DVD movies, etc, except under Windows NT Workstation 4.0. The DVD-ROM Drive has the capacity to store up to 7 times the capacity of a CD-ROM Drive.

⁸ Designed only to allow faster downloads from K56flex compliant sources. Maximum achievable download transmission rates currently do not reach 56 KB/s, and will vary with line conditions. Modem only supports Windows 9.x and Windows NT Workstation 4.0.

⁹ IrDA 4 MB compliant. IR performance will vary depending on performance of IR peripherals and applications used.

¹⁰ Actual results may vary with individual usage. When tested in a standard configuration, using the Ziff-Davis BatteryMark test version 2.0, the Battery life of the Armada 7400 will range up to 2.6 hours. Standard configuration at time of announcement is considered to be a 10X7 (256 colors) panel set at 50 percent brightness, 32-MB RAM and no drives other than the hard drive active.

¹¹ Actual results may vary with individual usage. When tested in a standard configuration, using the Ziff-Davis BatteryMark test version 2.0, the Battery life of the Armada 7400 will range up to 3.7 hours. Standard configuration at time of announcement (1/25/99) is considered to be a 10X7 (256 colors) 14.1" panel set at 50 percent brightness, 64-MB RAM and no drives other than the hard drive active.

¹² AssetControl monitor. AssetControl features are accessible with Compaq desktops featuring Intelligent Manageability.

¹³ May not be compatible with the Armada Station Monitor Support Stand, the Convenience Base I, or the Convenience Base II due to weight limitations.