

OVERVIEW

Compaq Armada 7300

BENEFITS AT A GLANCE

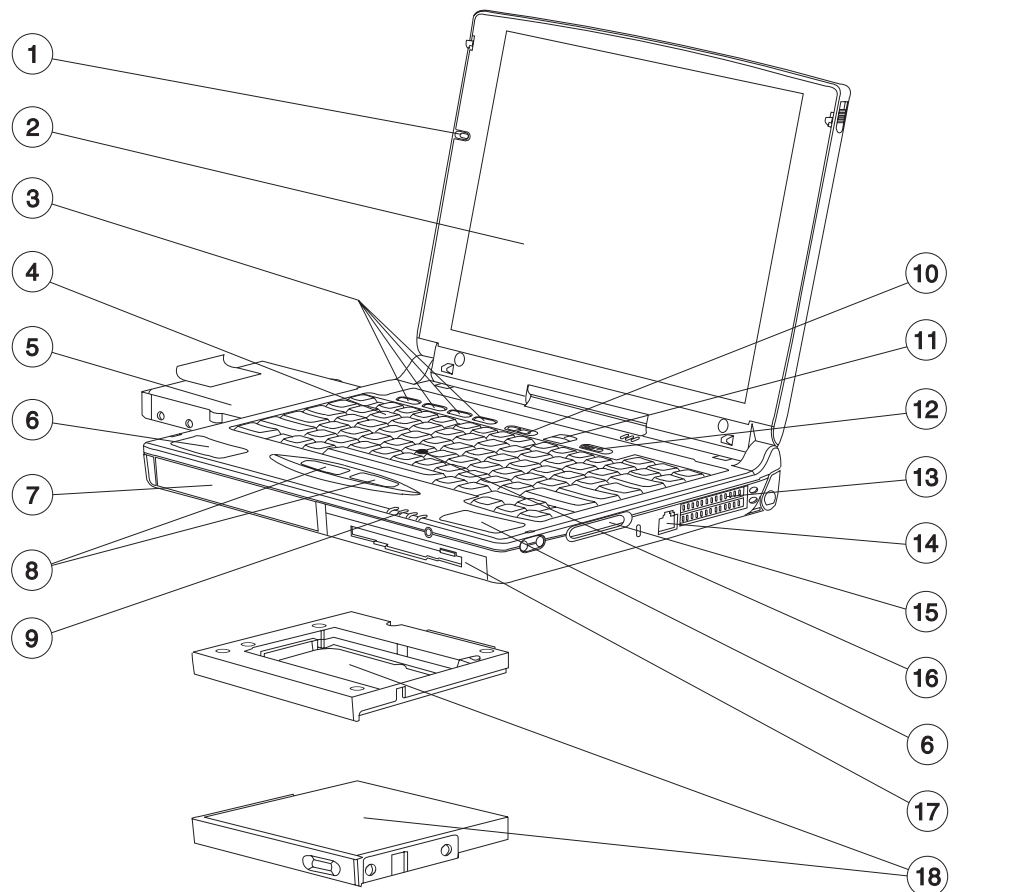
- Powerful 150- or 166-MHz Intel Pentium® processors with MMX technology and 256 KB level two cache (64-bit architecture)
- Large 12.1-inch CTFT displays with 800 x 600 resolution
- Simultaneous display support in any resolution
- 64-bit local bus graphics
- 2.1-GB SMART hard drives; notebook supports over 4.2 GB of storage using a second hard drive
- 16 or 32 MB standard EDO DRAM, expandable up to 128 MB
- Integrated 33.6 Kb/s data/14.4 Kb/s fax modem with telephony and DSVD (7350MT)
- MultiBay design allows user customization with CD-ROM, second hard drive, diskette drive or weight saver
- Feature-rich ArmadaStation expansion base with PCI/ISA slots and half-height modular bays
- Intelligent Manageability lowers cost of ownership
- Multimedia functionality with Compaq PremierSound, integrated 16-bit stereo, dual speakers, optional 8X or 20X MAX CD-ROM Drive¹, software MPEG1 and hardware WaveTable audio
- Li-Ion Battery Pack provides up to three hours battery life²
- Protected by Compaq Services including a three-year, worldwide limited warranty³

¹ Data transfer rates will vary from 150 KB/s to 3.0 MB/s.

² When tested in standard configuration using the Ziff-Davis BatteryMark test version 1.0, the battery life of the Armada 7300 family will range from 1 hour and 30 minutes to 3 hours and 00 minutes depending on individual usage.

³ Certain restrictions and exclusions apply. Consult the Compaq Customer Support Center for details.

⁴ Full support in Windows 95.



1. Microphone
2. 12.1-inch Color TFT Display
3. Four User-programmable Keys
4. Keyboard with Dedicated Home, End, Page-up and Page-down Keys and Inverted "T" Cursor Keys
5. Removable 2.1-GB SMART Hard Drive
6. Stereo Speakers
7. Li-Ion Battery Pack
8. Pointing Device Buttons
9. Suspend Power/Hard Drive/Battery and MultiBay Status LEDs
10. Volume Up/Down Switch, Mute
11. AC/Suspend Power
12. Power Switch
13. Two Type II/One Type III PC Card Slot(s); CardBus-capable⁴
14. Integrated 33.6 Kb/s Data/14.4 Fax Modem (7350MT)
15. 25-pin International DAA/Cellular Phone Connector
16. EasyPoint III Pointing Device
17. MultiBay Device Bay (floppy drive shown)
18. MultiBay Device (optional CD-ROM drive and additional hard drive shown; diskette drive also available)

External AC Adapter

QUICKSPECS

Compaq Armada 7300

MODELS

Armada 7330T
273150-004

Armada 7350MT
273160-004

The light-weight, full-featured notebook that strikes a balance between performance and mobility with exceptional desktop functionality.

STANDARD FEATURES

Processor

Armada 7330T: 150-MHz Intel Pentium® with MMX technology and 256 KB level two write-back cache

Armada 7350MT: 166-MHz Intel Pentium with MMX technology and 256 KB level two write-back cache

Architecture

64-bit CPU, cache and memory bus; 32-bit PCI bus; 64-bit local bus graphics

Display/Graphics

12.1-inch color TFT with 800 x 600 resolution and 24-bit color (up to 16 million colors)

All models support simultaneous display in any resolution and use 64-bit local graphics bus with 2 MB EDO DRAM video memory.

Memory

Armada 7330T: 16 MB of RAM, expandable to 128 MB (one memory slot open, one slot occupied)

Armada 7350MT: 32 MB of RAM, expandable to 128 MB (one memory slot open, one slot occupied)

Modular Design

MultiBay design allows for user-customization with a diskette drive (included standard), second hard drive, 8X or 20X MAX CD-ROM Drive¹, or a weight saving device (included standard). For even greater modularity, MultiBay devices are interchangeable between the notebook and the ArmadaStation expansion base with adapters.

Hard Drives

2.1-GB Removable SMART Hard Drive
Optional 2.1-GB Removable SMART Hard Drive

Storage

Notebook: Up to 4.2 GB (with two 2.1-GB drives)
Notebook and Expansion Base: Up to 8.4 GB

Communications

Armada 7350MT: Integrated 33.6 Kb/s data/14.4 Kb/s fax telephony² modem with DSVD, full-duplex speakerphone capabilities, digital answering machine and direct cellular support; Just Connect Software (Windows 95) or TRIO Communications Software (Windows NT 4.0) included for increased ease of use in modem communications; internal protection from power surges and digital phone lines

PC Card Slots

Two Type II/One Type III PC Card Slot(s) which support both 32-bit CardBus² and 16-bit PC Cards; Zoomed Video support (in bottom slot only); telephony support in top slot only

Infrared Communication Port

Up to 4 Mb/s³ infrared communication port for wireless communication with other IrDA-compliant infrared-equipped devices

AC Power

External AC Adapter and power cord included standard

Battery

Li-Ion Battery Pack provides up to three hours battery life⁴; Battery QuickCheck button on battery pack provides clear visual indication of charge status

Multimedia

Compaq PremierSound for enhanced stereo audio including integrated 16-bit Sound Blaster Pro compatible stereo audio, integrated stereo speakers and microphone, software volume control, stereo line in, headphone out, microphone in jacks, optional 8X or 20X MAX CD-ROM Drive¹, software MPEG1 and hardware Wave Table audio for more realistic sound

Integrated Pointing Device

Keyboard-integrated, textured, EasyPoint III pointing device

Keyboard

101-key compatible keyboard with isolated, inverted-T cursor control keys and right control key; four user-programmable keys; special feature hot-keys for instant access to power conservation, QuickLock/QuickBlank, battery charge status, brightness, mute and toggle between internal, external, or simultaneous displays

Power Conservation

Hibernation, Instant-On via Suspend; pop-ups with three presets and one custom level of power conservation

Dimensions (HxWxD)

1.54 x 12 x 9.27 in/3.91 x 30.5 x 23.55 cm

Weight

Notebook only: 6.0 lb/2.72 kg
Notbook (with weight saving device): 5.6 lb/2.54 kg

STANDARD FEATURES (cont'd)

Weight (cont'd)

Notebook with AC Adapter and Power
Cord: 6.85 lb/3.12 kg

Software

Dual install with choice of Microsoft Windows 95 or Microsoft Windows NT Workstation 4.0:

Windows 95 package includes: Compaq Intelligent Manageability, Microsoft Internet Explorer, Netscape, Compuserve and AOL, JustConnect (7350MT), Microsoft NetMeeting, Microsoft PC Card Manager and PointCast

Windows NT Workstation 4.0 package includes: Compaq Intelligent Manageability, Microsoft Internet Explorer and TRIO Communications (7350MT)

Interfaces

Infrared (IrDA-4 Mb/s compliant), enhanced parallel, serial, external monitor, keyboard/pointing device (also supports optional "Y" cable for dual external mouse and keyboard), PC Card, microphone in, headphone out, stereo line-in

Compaq Intelligent Manageability Software

Lowers total cost of ownership by providing enhanced security, asset management and fault prediction

Security Features

Cable lock support; power-on and set-up passwords; QuickLock/QuickBlank; ability to disable serial port, parallel port, PC Card slots, diskette drive, diskette drive boot sequence, infrared port; memory door and hard drive security screw (tool included)

Carrying Case

Deluxe portfolio case complete with integrated handle and pocket

Service and Support

Compaq Services includes a three-year, Worldwide Limited Warranty⁵, pick-up or carry-in; upgrade to on-site warranty available; lifetime toll-free 7x24 hardware technical phone support

OPTIONS

Memory

16-MB EDO Memory	272109-001
32-MB EDO Memory	220580-001
64-MB EDO Memory	220685-001

Hard Drives/CD-ROM Drives

2.1-GB SMART Hard Drive ⁶	220466-001
Armada 7300 8X CD-ROM Drive	220837-001
Armada 7300 20X MAX CD-ROM Drive ¹	297720-B21
Armada 7300 Hard Drive MultiBay Adapter (for second hard drive)	267867-001

Expansion/Convenience Bases

ArmadaStation	220680-001
ArmadaStation Tower Stand	267863-001
Armada 7000 Half-Height MultiBay Adapter	220681-001
LTE 5000 Half-Height MultiBay Adapter	267864-001
Armada MiniStation E	272187-001
Monitor Support Cover for MiniStation E	272341-001

PC Cards/Communications

Netelligent 56K PC Card Modem ⁷	295050-001
SpeedPaq Cellular PC Card	221202-001
SpeedPaq Cellular PC Card + SpeedPaq 336 Telephony Modem	221200-001
10/100 TX PC Card UTP Controller	292812-B21
10 T PC Card UTP Controller	292806-B21
10 2 PC Card Coax Controller	292807-B21
10/100 TX PC Card UTP Controller Upgrade	292813-B21

For additional compatible PC Cards, view the Compaq PC Card Solutions List on the Compaq Web site at <http://www.compaq.com/productinfo/notebooks>

Power

Li-Ion Battery Pack	267865-001
Armada 7000 Battery Charger	220461-001
AC Adapter	220841-001
Automobile Adapter	217934-002

Monitors

V50 Color	264150-001
V70 Color	255606-001
V90 Color	305609-001
P50 Color	264200-001
P70 Color	255650-001
P110 Color	284956-001
TFT500 Flat Panel	285006-001

PC companion

C120	266500-001
C120+	266502-001
C140	266550-001

OPTIONS (cont'd)**Other**

Compaq Armada Headset	220460-001
TR4 4-GB IDE Tape Drive ⁸	186703-001
Compaq Multimedia Sound System ⁹	294106-001
USB Card Bus PC Card ¹⁰	296501-B21

Carrying Cases

A full line of Compaq brand carrying cases are available through Targus/Fabrique. For information please contact Targus/Fabrique at 801-572-8908 or 714-523-5429.

¹ Data transfer rates will vary from 150 KB/s to 3.0 MB/s.

² Full support in Windows 95.

³ IrDA 4 MB compliant. IR performance will vary depending on performance of IR peripherals and applications used.

⁴ When tested in standard configuration using the Ziff-Davis BatteryMark test version 1.0, the battery life of the Armada 7300 family will range from 1 hour and 30 minutes to 3 hours and 00 minutes depending on individual usage.

⁵ Certain restrictions and exclusions apply. Consult the Compaq Customer Support Center at 1-800-OK-COMPAQ for details.

⁶ Includes Armada 7300 Hard Drive Adapter (part number 267867-001).

⁷ Actual transmission rates will vary with line conditions.

⁸ With ArmadaStation only.

⁹ For use with P50, V70, P70, V90, P110 and TFT500 Flat Panel monitors.

¹⁰ Available November 1997.

FEATURES

Compaq Armada 7300

Compaq Armada 7330T

Compaq Armada 7350MT

System Unit

Microprocessor	Intel Pentium® 150-MHz with MMX technology	Intel Pentium 166-MHz with MMX technology
Secondary Cache	256 KB level 2 write-back	256 KB level 2 write-back
Architecture	64-bit CPU cache and memory bus; 64-bit local bus graphics	64-bit CPU cache and memory bus; 64-bit local bus graphics
RAM		
Standard	16 MB	32 MB
Maximum	128 MB	128 MB
Coprocessor	Integrated	Integrated
Advanced Power Management	Yes	Yes

Display

Type	12.1-inch color TFT	12.1-inch color TFT
Resolution	800 x 600 with up to 16 million colors	800 x 600 with up to 16 million colors
Extended Text	Yes	Yes

Graphics

64-bit Local Graphics Bus	Yes	Yes
Simultaneous Display Support	Yes	Yes
1024 x 768 External	Yes	Yes

Storage

1.44-MB Diskette Drive	Standard	Standard
Removable SMART Hard Drives		
Standard	2.1-GB	2.1-GB
Optional	2.1-GB	2.1-GB
8X CD-ROM Drive	Optional	Optional
20X MAX CD-ROM Drive ¹	Optional	Optional

Communications

Integrated 33.6 Kb/s Data/ 14.4 Kb/s Fax Modem	No, PC Card Option Available	Standard
---	------------------------------	----------

Interfaces

PC Card Slots	Two Type II/One Type III	Two Type II/One Type III
Resume on Ring Support	Yes	Yes
Infrared Communication Port	1	1
Enhanced Parallel Port	1	1
Serial Port	1	1
External Monitor	1	1
External Keyboard/Pointing Device	1	1
Expansion Base	1	1
RJ-11 Jack	No	1
Microphone In	1	1
Headphone Out	1	1

	Compaq Armada 7330T	Compaq Armada 7350MT
Interfaces <i>(cont'd)</i>		
Stereo Line In	1	1
Support for Third-Party Y-Cables (for external mouse and keyboard)	Yes	Yes
Monitors		
V50 Color	Optional	Optional
V70 Color	Optional	Optional
V 90 Color	Optional	Optional
P50 Color	Optional	Optional
P70 Color	Optional	Optional
P110 Color	Optional	Optional
TFT500 Flat Panel Monitor	Optional	Optional
Keyboard		
101-key compatible keyboard with Inverted "T" Cursor Keys, Hotkeys and Right Ctrl Key	Standard	Standard
External Enhanced III Keyboard	Optional	Optional
Supported System Software		
Software Included	Dual install with choice of Microsoft Windows 95 or Microsoft Windows NT Workstation 4.0: Windows 95 package includes: Compaq Intelligent Manageability, Microsoft Internet Explorer, Netscape, Compuserve and AOL, Microsoft NetMeeting, Microsoft PC Card Manager and PointCast Windows NT Workstation 4.0 package includes: Compaq Intelligent Manageability and Microsoft Internet Explorer	Dual install with choice of Microsoft Windows 95 or Microsoft Windows NT Workstation 4.0: Windows 95 package includes: Compaq Intelligent Manageability, Microsoft Internet Explorer, Netscape, Compuserve and AOL, JustConnect, Microsoft NetMeeting, Microsoft PC Card Manager and PointCast Windows NT Workstation 4.0 package includes: Compaq Intelligent Manageability, Microsoft Internet Explorer and TRIO Communications

Physical Specifications

Dimensions (HxWxD)	1.54 x 12 x 9.27 in/ 3.91 x 30.5 x 23.55 cm	1.54 x 12 x 9.27 in/ 3.91 x 30.5 x 23.55 cm
Weight		
Notebook only	6.0 lb/2.72 kg	6.0 lb/2.72 kg
Notebook (with weight saving device)	5.6 lb/2.54 kg	5.6 lb/2.54 kg
Notebook with AC Adapter and Power Cord	6.85 lb/3.12 kg	6.85 lb/3.12 kg

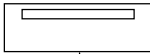
¹Data transfer rates will vary from 150 KB/s to 3.0 MB/s.

MEMORY

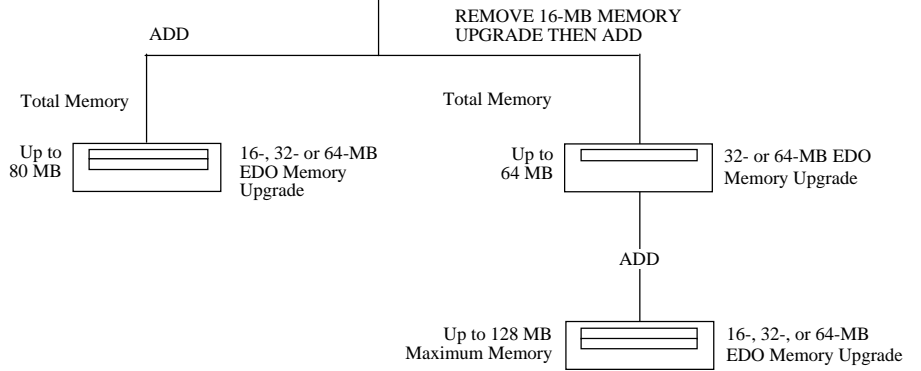
Compaq Armada 7300

Compaq Armada 7330T

STANDARD MEMORY

16 MB  16-MB (installed in one slot)

OPTIONAL MEMORY



Notes:

To reach the maximum memory of 128 MB the 16-MB EDO Memory upgrade must be removed. The memory options supported on the Armada 7300 family are as follows:

- 16-MB EDO Memory Upgrade 272109-001
- 32-MB EDO Memory Upgrade 220580-001
- 64-MB EDO Memory Upgrade 220685-001

TECHSPECS

Compaq Armada 7300

System Unit

Dimensions (HxWxD)	1.54 x 12 x 9.27 in/3.91 x 30.5 x 23.55 cm
Weight (without AC Adapter)	
Notebook only	6.0 lb/2.72 kg
Notebook with AC Adapter and Power Cord	6.85 lb/3.12 kg
Power Supply	
Rated Input Voltage	100-120/220-240 VAC
Rated Input Current	1.0/0.6 A
Rated Frequency	50-60 Hz
Rated Output Power (Max)	44 W (18.85 Vdc/3.2 A)
Stand-Alone Power Requirements	
Nominal Operating Voltage	14.4 VDC
Average Operating Power	15 W
Peak Operating Power	25 W
Temperature	
Operating	50 to 104° F/10 to 40° C
Nonoperating	-4 to 140° F/-20 to 60° C
Relative Humidity (noncondensing)	
Operating	10 to 90%
Nonoperating	5 to 95%
Shock	
Operating	10 G, 11 ms, half sine
Non operating	240 G, 2 ms, half sine
Vibration	
Operating	0.5 G
Nonoperating	1.5 G
Maximum Altitude (unpressurized)	
Operating	10,000 ft/3.05 km
Nonoperating	30,000 ft/9.14 km

12.1-Inch Color TFT 800 x 600 (SVGA) Display

Dimensions (HxW)	7.3 x 9.7 in/18.45 x 24.60 cm
Diagonal Size	12.1 in/30.75 cm
Mounting	Internal
Number of Colors	Up to 16M
Contrast Ratio	100:1
Brightness	110 CD/M ² @ 5.75 mA
Pixel Resolution	
Pitch	0.3075 x 0.3075 mm
Format	800 x 600
Configuration	RGB Stripe
Backlight	Edge Lit
Character Display	80 x 25
Total Power Consumption (maximum)	3.8 W

Hard Drives¹

	2.1-GB
Capacity Per Drive	2.1 GB
SMART, drive fault prediction capable	Yes
Drive Height	12.7 mm
Transfer Rate	
Media	39.1 to 61.8 Mb/s
Interface	16.6 MB/s
Sector Interleave	1:1
Seek Times (typical, including settling)	
Track-to-track	4 ms
Average	13 ms
Full Stroke	23 ms
Disk Rotational Speed	4200 rpm
Physical Configuration	
Cylinders	4975
Heads	6
Bytes per sector	512
Logical Configuration	
Cylinders	4200
Heads	16
Sectors per track	63
Bytes per sector	512
Buffer Size	96 KB

Diskette Drive

Diskette Size	3.5-inch
Light	None
Height	.53 in /1.35 cm
Bytes per Sector	512
Sectors per Track	
High density	18 (1.44-MB)/15 (1.2-MB)
Low density	9
Tracks per side	
High density	80 (1.44-MB)/80 (1.2-MB)
Low density	80
Read/Write heads	2
Access Times	
Track-to-track (high/low)	3 ms/6 ms
Average (high/low)	95 ms/173 ms
Settling time	15 ms
Latency average	100 ms

8X CD-ROM Drive

Applicable Disc	CD-ROM Mode 1, Mode 2 CD-Digital Audio CD-XA Mode 2 (Form 1, Form 2) CD-I Ready Photo CD (signal, multisession) CD-WD (fixed packets only)
Center Hole Diameter	.59 in/1.5 cm
Disc Diameter	4.72 in, 3.15 in/12 cm, 8 cm
Rotational Speed	2100-4200 rpm, 8X speed
Disc Thickness	1.2 mm
Track Pitch	1.6 μ m
Access Times (typical including settling)	
Random	less than 275 ms
Full Stroke	less than 600 ms
Audio Output Level	
Line Out	.7 Vrms
Cache Buffer	256 KB
Data Transfer Rates (typical, including settling)	
Sustained	1.2 MB/s
Startup Time	less than 10 seconds typical

20X MAX CD-ROM Drive

Applicable Disc	CD-DA, CD-ROM Mode 1, Mode 2 CD-XA (Mode 2, Form 1, Form 2) CD-I (Mode 2, Form 1, Form 2) CD-I Ready, CD Extra, Video CD, CD-Bridge PhotoCD (Single and Multisession) CD-WD (Fixed packets only)
Center Hole Diameter	.59 in/1.5 cm
Disc Diameter	12 cm, 8 cm
Rotational Speed	2100 to 4500 rpm
Track Pitch	1.6 μ m
Access Times (typical including settling)	
Random	Less than 170 ms
Full Stroke	Less than 600 ms
Audio Output Level	
Line Out	.7 Vrms
Cache Buffer	128 KB
Data Transfer Rates (typical, including settling)	
Sustained (1X)	150 KB/s
Sustained (20X)	3.0 MB/s
Startup Time	Less than 10 seconds

Li-Ion Battery Pack

Dimensions (HxWxD)	.79 x 3.46 x 5.43 in/2.0 x 8.8 x 13.8 cm
Weight	.85 lb/.39 kg
Energy	
Voltage	14.4 V
Capacity	2.7 Ah
Battery Life	Up to 3 hours ³
Temperature	
Operating	50° to 104° F/10° to 40° C
Recommended Storage	32° to 113° F/0° to 45° C

ArmadaStation (optional)

Dimensions (HxWxD)	
Without Monitor Support Cover	5 x 17.3 x 16 in/12.7 x 46.5 x 40.6 cm
With Monitor Support Cover	5.6 x 17.3 x 16 in/14.2 x 46.5 x 40.6 cm
Weight	
ArmadaStation	22.7 lb/10.3 kg
Monitor Support Cover	3.3 lb/1.5 kg
Power Supply (Input)	
Operating Voltage	90-260 VAC
Operating Current	5.0 Amp Maximum
Rated Voltage	100-120 to 220-240 VAC
Rated Current	2.5-5.0 Amp
Line Frequency	50-60 Hz
Temperature	
Operating	5 to 95° F/10 to 35° C
Nonoperating	-22 to 140° F/-30 to 60° C
Relative Humidity	
Operating	20 to 80%
Nonoperating	5 to 90%
Maximum Altitude	
Operating	10,000 ft/3048 m
Nonoperating	30,000 ft/9144 m
Shock	
Operating	5 G, 11 ms, half sine
Nonoperating	140 G, 2 ms, half sine
Vibration	
Operating	.25 G, 10 to 500 Hz sine .25 octave/minute sweep
Nonoperating	.75 G, 10 to 500 Hz sine .5 octave/minute sweep
Monitor Support (maximum)	55 lb/25 kg

Armada MiniStation E
(optional)

Dimensions (HxWxD)	
Without Monitor Support Cover	5.0 x 14.75 x 15.37 in/12.7 x 37.47 x 39.05 cm
With Monitor Support Cover	5.6 x 14.75 x 15.37 in/14.2 x 37.47 x 39.05 cm
Weight	
Armada MiniStation E	7.67 lb/3.48 kg
Monitor Support Cover Option	3.3 lb/1.5 kg

Armada MiniStation E
 (optional) (cont'd)

Power Supply (Input)	
Operating Voltage	90-260 VAC
Operating Current	3.0 Amp Maximum
Rated Voltage	100-120 VAC to 220-240 VAC
Rated Current	1.5-3.0 Amps Maximum
Line Frequency	50-60 Hz
Temperature	
Operating	5 to 95° F/10 to 35° C
Nonoperating	-22 to 140° F/-30 to 60° C
Relative Humidity	
Operating	20 to 80%
Nonoperating	5 to 90%
Maximum Altitude	
Operating	10,000 ft/3048 m
Nonoperating	30,000 ft/9144 m
Shock	
Operating	5 G, 11 ms, half sine
Nonoperating	140 G, 2 ms, half sine
Vibration	
Operating	.25 G, 10 to 500 Hz sine .25 octave/minute sweep
Nonoperating	.75 G, 10 to 500 Hz sine .5 octave/minute sweep
Monitor Support (Maximum)	55 lb/25 kg

¹Hard drive specifications may vary slightly depending on vendor.

²Data transfer rates will vary from 150 KB/s to 3.0 MB/s.

³When tested in standard configuration using the Ziff-Davis BatteryMark test version 1.0, the battery life of the Armada 7300 family will range from 1 hour and 30 minutes to 3 hours and 00 minutes depending on individual usage.