

OVERVIEW

Compaq Armada 4100

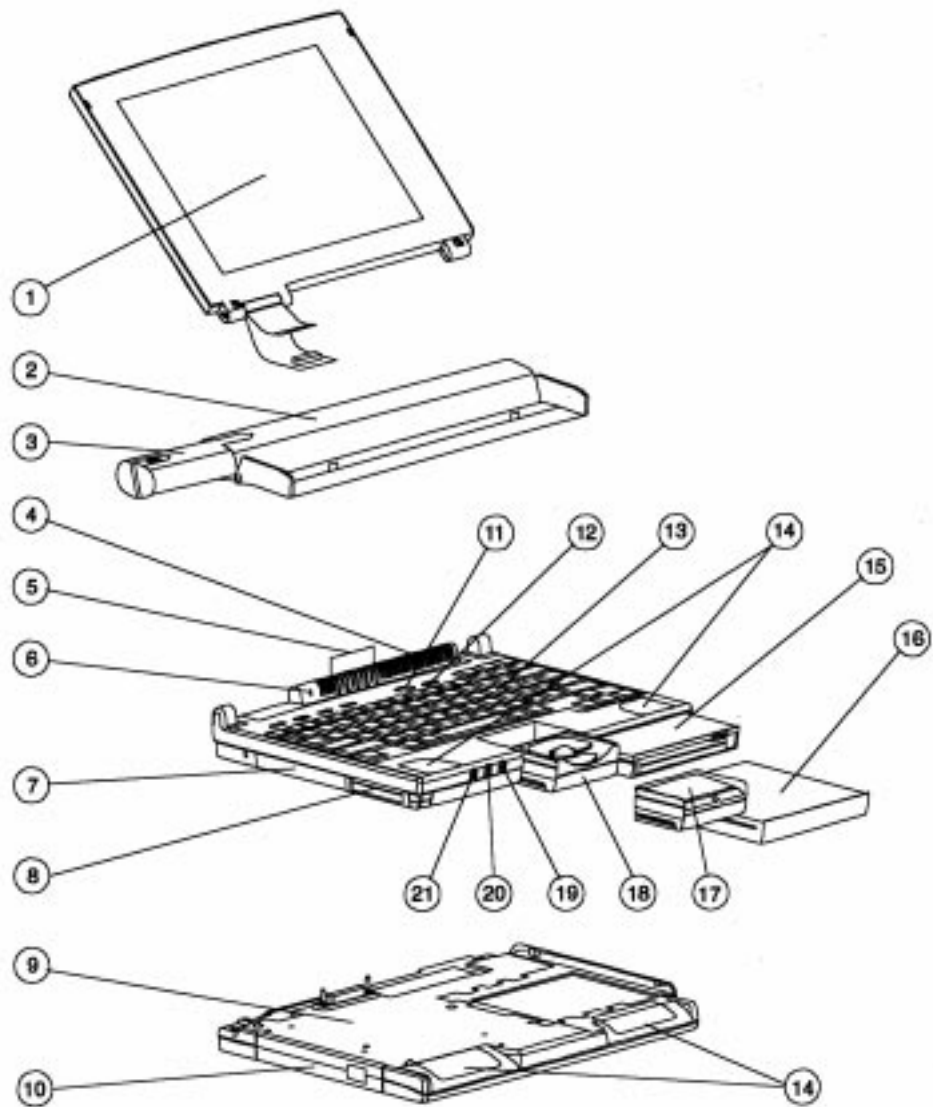
BENEFITS AT A GLANCE

- Flexible design allows configuration as a slimline notebook, a full-featured notebook or a robust multimedia notebook
- 133-MHz Intel Pentium® and 150- or 166-MHz Intel Pentium processors with MMX™ technology and 256 KB level two cache
- Choice of 12.1-inch CSTN or CTFT displays (SVGA)
- 32-bit PCI local bus graphics
- 16 MB standard memory expandable up to 80 MB
- Supports up to three Li-Ion batteries for up to nine hours of battery life¹
- 1.4- to 2.0-GB SMART Hard Drives
- Intelligent Manageability for lower total cost of ownership
- Upgradable memory and hard drive
- Full-sized 101-key compatible keyboard
- Optional Mobile CD Unit provides enhanced multimedia functionality
- Optional Pass-Through and Ethernet Convenience Bases
- Modular pointing device: touchpad standard, interchangeable with optional optical trackball
- Sound Blaster Pro-compatible with 16-bit stereo, integrated speakers and microphone
- Full motion video and software MPEG support
- Compaq-unique power conservation features including Hibernation
- Protected by Compaq Services including a three-year, Worldwide Limited Warranty²

¹ When tested in standard configuration using the Ziff-Davis BatteryMark test version 1.0, the battery life of the Armada 4100 will range from 2 hours and 0 minutes to 3 hours and 0 minutes depending on individual usage.

² Certain restrictions and exclusions apply. Consult the Compaq Customer Support Center for details.

³ Data transfer rates will vary from 1276 KB/s to 3000 KB/s.



**Armada 4131T Shown
(with Mobile CD Unit)**

- | | |
|---|--|
| 1. Display | 11. Standby Switch |
| 2. Handle with Removable Battery (also provides 10° keyboard tilt and port cover) | 12. Power Switch |
| 3. Li-Ion Battery Handle | 13. Full-Sized Keyboard with Four User-programmable Keys |
| 4. Heat Pipe Radiator | 14. Stereo Speakers |
| 5. Power/Standby, Battery Charge, Cap Lock, Scroll Lock and Num Lock status LEDs | 15. Diskette Drive |
| 6. Microphone | 16. Li-Ion Dual Bay Battery (optional) |
| 7. SMART Hard Drive | 17. Touchpad |
| 8. PC Card Slots | 18. Optical Trackball (optional) |
| 9. Mobile CD Unit | 19. Audio-in Jack |
| 10. 20X Max ³ CD-ROM Drive | 20. Headphone Jack |
| | 21. Microphone Jack |

MODELS

Armada 4131T
259300-401

Armada 4150
287350-008

Armada 4160T
287200-003

**Armada 4160T
Slimline**
287500-009

STANDARD FEATURES

Flexible Design

Flexible design allows users to configure units according to specific needs, taking with them what they need, and leaving the rest behind:

Standard Configuration: Provides a full-featured notebook that weighs as little as 6.1 pounds and is less than 1.5 inches thick, with the convenience of a battery in the handle and the flexibility of swapping the Diskette Drive with the optional Li-Ion Dual Bay Battery.¹

Slimline Configuration: From the standard configuration, just remove the Battery Handle, swap the Diskette Drive for the optional Li-Ion Dual Bay Battery, and you have a powerful notebook less than 1.5 inches thick and weighing 5.2 pounds. The optional External Diskette Drive Cable/Caddy is available, providing a no compromise solution. (Armada 4160T Slimline ships in this configuration and includes a Li-Ion Dual Bay Battery and external diskette drive.)

Multimedia Configuration: To the Standard Configuration, simply attach the Mobile CD Unit and you have CD-ROM capabilities, enhanced stereo sound, a MIDI/Joystick port and the ability to add a third battery—all in a notebook that weighs approximately as little as 8.2 pounds and is only 2.3 inches thick.

Processor

Armada 4131T: 133-MHz Intel Pentium®
Armada 4150: 150-MHz Intel Pentium with MMX technology
Armada 4160T and 4160T Slimline: 166-MHz Intel Pentium with MMX technology
All Models: 256 KB level two write back cache

Architecture

64-bit CPU, cache and memory bus; 32-bit PCI local bus graphics

Display/Graphics

Armada 4150: 12.1-inch color STN with 800 x 600 resolution and 8-bit color (256 colors internal)
Armada 4131T, 4160T and 4160T Slimline: 12.1-inch color TFT with 800 x 600 resolution and 16-bit color (64K colors internal)
All models: 32-bit PCI local bus graphics with 1-MB EDO DRAM for video memory

Memory

16 MB of RAM, expandable to 80 MB

Hard Drives

Armada 4131T: 1.4-GB SMART Hard Drive
Armada 4150: 1.6-GB SMART Hard Drive
Armada 4160T and 4160T Slimline: 2.0-GB SMART Hard Drive
Optional Hard Drive: 2.0-GB SMART Hard Drive

Diskette Drive

Armada 4160T Slimline: External Diskette Drive Bay and Removable Bay Diskette Drive
All other models: Removable Bay Diskette Drives

Storage

Up to 2.0 GB

Multimedia

Compaq PremierSound for enhanced stereo audio including integrated 16-bit Sound Blaster Pro-compatible stereo audio, integrated stereo speakers and microphone, software volume control, stereo line in, headphone out, microphone in jacks, software MPEG, NTSC/PAL video output; optional Mobile CD Unit provides 20X Max² CD-ROM Drive, enhanced stereo speakers, MIDI/joy stick port, bay for an additional battery and Wave Table Synthesis

PC Card Slots

Two Type II/One Type III PC Card Slot(s); support for full-duplex speakerphone, telephone answering machine and switched voice/data with optional Compaq SpeedPac 336 Telephony Modem

Infrared Communication Port

IrDA-1.1 (4150 and 4160T), IrDA-1.0 (4131T) compatible infrared communication port for wireless communication with infrared devices

Power/Battery Life³

External AC Adapter weighing approximately 10 ounces allows simultaneous system operation and battery charge

Li-Ion Battery Handle or Li-Ion Dual Bay Battery provides up to 2.5 hours of battery life; up to 9 hours of battery life can be achieved when using three Li-Ion batteries including standard battery handle and an optional Modular Battery in both the Dual Bay and Mobile CD Unit battery bay

Integrated Pointing Device

Standard Touchpad is fully interchangeable for optional Optical Trackball

Keyboard

101-key compatible keyboard with isolated, inverted-T cursor control keys, right control key, four user-programmable keys; special feature hot keys for instant access to power conservation, QuickLock/QuickBlank, toggle between internal external, or simultaneous displays, speaker volume control, brightness and contrast

STANDARD FEATURES (cont'd)

Power Conservation

Hibernation, Instant-On via Standby; pop-ups with three presets and one custom level of power conservation

Dimensions (HxWxD)

Standard Configuration:
1.49 x 11.6 x 10.3 in/3.78 x 29.46 x 26.16 cm
Slimline Configuration:
1.49 x 11.4 x 8.8 in/3.78 x 28.96 x 22.35 cm
Multimedia Configuration:
2.3 x 11.6 x 10.3 in/5.84 x 29.46 x 26.16 cm

Weight

Armada 4131T:
Standard Configuration: 6.1 lb/2.77 kg
Slimline Configuration: 5.2 lb/2.36 kg
Multimedia Configuration: 8.2 lb/3.72 kg
Armada 4150:
Standard Configuration: 6.2 lb/2.83 kg
Slimline Configuration: 5.3 lb/2.42 kg
Multimedia Configuration: 8.3 lb/3.81 kg
Armada 4160T and 4160T Slimline:
Standard Configuration: 6.2 lb/2.83 kg
Slimline Configuration: 5.3 lb/2.42 kg
Multimedia Configuration: 8.3 lb/3.81 kg

Software

Windows 95, Microsoft Internet Explorer, ESS Audio Rack, Lode Runner, Laplink, Just Connect, Compaq Insight Manager Personal Edition

Interfaces

Infrared, enhanced parallel, serial, external monitor, keyboard/pointing device, AC adapter/automobile adapter, PCMCIA, NTSC/PAL composite TV out, microphone in, headphone out, stereo line-in

Intelligent Manageability

Lowers total cost of ownership by providing enhanced security, asset management and fault prediction

Security Features

Cable lock support; power-on and set-up passwords; ability to disable serial port, parallel port, PC Card slots, diskette drive, diskette drive boot sequence, infrared port

Service and Support

Compaq Services, includes a three-year, Worldwide Limited Warranty⁴, pick-up or carry-in; upgrade to on-site warranty available; lifetime toll-free 7x24 hardware technical phone support

OPTIONS

Memory

8-MB Memory Expansion Board	217914-001
16-MB Memory Expansion Board	217915-001
32-MB Memory Expansion Board	217916-001
64-MB Memory Expansion Board	287325-B21

Diskette Drives/Hard Drives

Floppy Diskette Drive Caddy	258574-B21
2.0-GB SMART Hard Drive	287262-B21

PC Card/Communications

SpeedPaq Cellular PC Card + SpeedPaq 336 Telephony Modem	221200-001
Netelligent 56K ⁵ PC Card Modem	295050-001
10/100 TX PC Card UTP Controller	292812-B21
10 T PC Card UTP Controller	292806-B21
10 2 PC Card Coax Controller	292807-B21
10/100 TX PC Card UTP Controller	292813-B21

Upgrade
Netelligent 16/4 TR PC Card IBM 301208-B21
UTP/STP Controller

For additional compatible PC Cards, view the Compaq PC Card Solution List on the Compaq Web site at <http://www.compaq.com/support/techpubs/pcmcia/pccardlist.html>.

Expansion/Convenience Bases

20X Max ² Mobile CD Unit	217929-003
Convenience Base (Ethernet)	217927-001
Convenience Base (Pass-Through)	217928-001

Power

Li-Ion Dual Bay Battery	217935-001
Li-Ion Handle Battery	217930-001
AC Adapter	217931-001
3-Wire AC Power Cord	217932-001
External Battery Charger	217933-001
Auto Adapter/Inverter	217934-002

PC companion

C120	266500-001
C120+	266502-001
C140	266550-001

Monitors

V50 Color	264150-001
V70 Color	255606-001
V90 Color	305609-001
P50 Color	264200-001
P70 Color	255650-001
P110 Color	284956-001
TFT500 Flat Panel	285006-001

OPTIONS (cont'd)

Input Devices

Optical Trackball Pointing Device 258793-001

Display

12.1-inch TFT SVGA Display 259233-B21

Other

Compaq Armada Headset 220460-001

Compaq Multimedia Sound System⁶ 294106-001

External Enhanced III Keyboard 110562-001

Compaq Mouse 143315-001

Carrying Cases

A full line of Compaq brand carrying cases are available through Targus/Fabrique. For information please contact Targus/Fabrique at 801-572-8908 or 714-523-5429.

¹ Li-Ion Dual Bay Battery standard on 4160T slimline model only.

² Data transfer rates will vary from 1276 KB/s to 3000 KB/s.

³ When tested in standard configuration using the Ziff-Davis BatteryMark test version 1.0, the battery life of the Armada 4100 will range from 2 hours and 0 minutes to 3 hours and 0 minutes depending on individual usage.

⁴ Certain restrictions and exclusions apply. Consult the Compaq Customer Support Center for details.

⁵ Actual transmission rates will vary with line conditions.

⁶ For use with P50, V70, P70, V90, P110 and TFT500 Flat Panel Monitors.

FEATURES

Compaq Armada 4100

	Compaq Armada 4131T	Compaq Armada 4150	Compaq Armada 4160T	Compaq Armada 4160T Slimline
System Unit				
Microprocessor				
Standard	Intel Pentium® 133-MHz	Intel Pentium 150-MHz with MMX technology	Intel Pentium 166-MHz with MMX technology	Intel Pentium 166-MHz with MMX technology
Cache	256 KB level 2 write-back	256 KB level 2 write-back	256 KB level 2 write-back	256 KB level 2 write-back
Architecture	64-bit CPU cache and memory bus; PCI local bus graphics	64-bit CPU cache and memory bus; PCI local bus graphics	64-bit CPU cache and memory bus; PCI local bus graphics	64-bit CPU cache and memory bus; PCI local bus graphics
RAM				
Standard	16 MB	16 MB	16 MB	16 MB
Maximum ¹	80 MB	80 MB	80 MB	80 MB
Coprocessor	Integrated	Integrated	Integrated	Integrated
Advanced Power Management	Yes	Yes	Yes	Yes
Display				
Type	12.1-inch color CTFT	12.1-inch high-contrast color STN	12.1-inch color TFT	12.1-inch color TFT
Resolution	800 x 600 with up to 64,000 colors	800 x 600 with up to 256 colors	800 x 600 with up to 64,000 colors	800 x 600 with up to 64,000 colors
Extended Text	Yes	Yes	Yes	Yes
Graphics				
32-bit PCI Local Bus Video	Yes	Yes	Yes	Yes
1024 x 768 External	Yes	Yes	Yes	Yes
Storage				
1.44-MB Diskette Drive	Standard	Standard	Standard	Standard
Upgradable SMART Hard Drives				
Standard	1.4-GB	1.6-GB	2.0-GB	2.0-GB
Optional	2.0-GB	2.0-GB	—	—
Mobile CD Unit	Optional	Optional	Optional	Optional
Interfaces				
PC Card	Two Type II/ One Type III slot(s)	Two Type II/ One Type III slot(s)	Two Type II/ One Type III slot(s)	Two Type II/ One Type III slot(s)
Infrared Communication Port	1	1	1	1
Enhanced Parallel	1	1	1	1
Serial	1	1	1	1
External Monitor	1	1	1	1
NTSC/PAL Video Output	1	1	1	1
External Keyboard/Pointing Device	1	1	1	1
Expansion Base Connector	1	1	1	1
AC Adapter/Automobile Adapter	1	1	1	1
Microphone In	1	1	1	1
Headphone Out	1	1	1	1
Stereo Line In	1	1	1	1

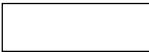
	Compaq Armada 4131T	Compaq Armada 4150	Compaq Armada 4160T	Compaq Armada 4160T Slimline
Monitors				
V50 Color	Optional	Optional	Optional	Optional
V70 Color	Optional	Optional	Optional	Optional
V90 Color	Optional	Optional	Optional	Optional
P50 Color	Optional	Optional	Optional	Optional
P70 Color	Optional	Optional	Optional	Optional
P110 color	Optional	Optional	Optional	Optional
TFT500 Flat Panel	Optional	Optional	Optional	Optional
Keyboard				
101-key compatible keyboard with Inverted "T" Cursor Keys, Hotkeys, Right Ctrl Key and four user-programmable keys	Yes	Yes	Yes	Yes
External Enhanced III Keyboard	Optional	Optional	Optional	Optional
Supported System Software				
Software	Microsoft Windows 3.1, Windows 95, Windows NT Workstation 3.51, 4.0, and IBM OS/2	Microsoft Windows 3.1, Windows 95 OSR2, Windows NT Workstation 3.51, 4.0, and IBM OS/2	Microsoft Windows 3.1, Windows 95 OSR2, Windows NT Workstation 3.51, 4.0, and IBM OS/2	Microsoft Windows 3.1, Windows 95 OSR2, Windows NT Workstation 3.51, 4.0, and IBM OS/2
Physical Specifications				
Dimensions (HxWxD)	1.49 x 11.6 x 10.3 in/3.78 x 29.64 x 26.16 cm	1.49 x 11.6 x 10.3 in/3.78 x 29.64 x 26.16 cm	1.49 x 11.6 x 10.3 in/3.78 x 29.64 x 26.16 cm	1.49 x 11.6 x 10.3 in/3.78 x 29.64 x 26.16 cm
Weight (shipping)	6.1 lb/2.77 kg	6.2 lb/2.83 kg	6.2 lb/2.83 kg	5.3 lb/2.42 kg

MEMORY

Compaq Armada 4100

Compaq Armada 4131T, 4150, 4160T and 4160T Slimline

STANDARD
MEMORY

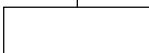
16 MB  System Board

OPTIONAL
MEMORY




ADD


Total Memory

24 MB  8-MB Memory Expansion Board
(P/N 217914-001)

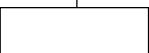
OR

32 MB  16-MB Memory Expansion Board
(P/N 217915-001)

OR

48 MB  32-MB Memory Expansion Board
(P/N 217916-001)

OR

80 MB  64-MB Memory Expansion Board
(P/N 287325-B21)

System Unit

Dimensions (HxWxD)	1.49 x 11.4 x 10.2 in/3.78 x 28.96 x 25.95 cm
Weight	
Armada 4131T	
Standard Configuration	6.1 lb/2.77 kg
Slimline Configuration	5.2 lb/2.36 kg
Multimedia Configuration	8.2 lb/3.72 kg
Armada 4150	
Standard Configuration	6.2 lb/2.83 kg
Slimline Configuration	5.3 lb/2.42 kg
Multimedia Configuration	8.3 lb/3.81 kg
Armada 4160T and 4160T Slimline	
Standard Configuration	6.2 lb/2.83 kg
Slimline Configuration	5.3 lb/2.42 kg
Multimedia Configuration	8.3 lb/3.81 kg
Stand-Alone Power Requirements	
Nominal Operating Voltage	14.2 VDC
Maximum Operating Power	35 W
Peak Operating Power	40 W
Temperature	
Operating	5 to 95° F/10 to 35° C
Nonoperating	-4 to 140° F/-20 to 60° C
Relative Humidity (noncondensing)	
Operating	10 to 90%
Nonoperating	5 to 95%
Shock	
Operating	10 G, 11 ms, half sine
Non operating	60 G, 11 ms, half sine
Vibration	
Operating	.25 G, 5-500 Oct/Min sweep rate
Nonoperating	1.0 G, 5-500 Oct/Min sweep rate
Maximum Altitude (unpressurized)	
Operating	10,000 ft/3.15 km
Nonoperating	30,000 ft/9.14 km

12.1-Inch Color TFT SVGA Display

Dimensions (HxW)	7.26 x 9.68 in/18.45 cm x 24.6 cm
Diagonal Size	12.1 in/30.7 cm
Mounting	Internal Panel Supports
Number of Colors	64K Colors
Contrast Ratio	Greater than 100:1
Brightness	100 cd/m ²
Pixel Resolution	
Pitch	.3075 x .3075 mm
Format	800 x 600
Configuration	RGB Stripe
Backlight	Edge Lit
Character Display	—
Total Power Consumption	3.9 W

**12.1-Inch Color TFT
SVGA Display** (cont'd)

Display Inverter Board	
Input Voltage	10-20 Vdc
Output Voltage	600 Vrms
Maximum Input Power	3.2 W
Maximum Output Power	2.5 W

**12.1-Inch Color STN
Display**

Dimensions (HxW)	7.26 x 9.68 in/18.45 x 24.6 cm
Diagonal Size	12.1 in/30.7 cm
Mounting	Internal Panel Supports
Number of Colors	256
Contrast Ratio	Greater than 30:1
Brightness	75 cd/m ² @ 4.0 mA
Pixel Resolution	
Pitch	.3075 x .3075 mm
Format	800 x 600
Configuration	RGB Stripe
Backlight	Edge Lit
Character Display	—
Total Power Consumption	3.9 W
Display Inverter Board	
Input Voltage	10-20 Vdc
Output Voltage	600 Vrms
Maximum Input Power	3.2 W
Maximum Output Power	2.5 W

SMART Hard Drives¹

	1.4-GB	1.6-GB	2.0-GB
Formatted Capacity Per Drive	1.4 GB	1.6 GB	2167.6 GB
Drive Type	65	65	65
Transfer Rate			
Media	39.5 to 61.8 Mb/s	36.3 to 67.4 Mb/s	61.6 to 39.1 Mb/s
Interface	16.67 MB/s	16.67 MB/s	16.6 MB/s
Sector Interleave	1:1	1:1	1:1
Seek Times (typical, including settling)			
Track-to-track	4 ms	3 ms	4 ms
Average	13 ms	12 ms	13 ms
Maximum	23 ms	24 ms	23 ms
Disk Rotational Speed	4009 rpm	4000 rpm	4006 rpm
Physical Configuration			
Cylinders	4975	5158	4975
Heads	4	4	6
Sectors per track	110 to 180	108 to 198	110 to 180
Bytes per sector	512	512	512

SMART Hard Drives¹
(cont'd)

	1.4-GB	1.6-GB	2.0-GB
Logical Configuration			
Cylinders	2796	3162	4200
Heads	16	16	16
Sectors per track	63	63	63
Bytes per sector	512	512	512
Buffer Size			
	96 KB	128 KB	128 KB

Diskette Drive

Diskette Size	3.5-inch
Light	None
Height	.43 in/1.1 cm
Bytes per Sector	512
Sectors per track	
High density	18 (1.44-MB)/15 (1.2-MB)
Low density	9
Tracks per side	
High density	80 (1.44-MB)/80 (1.2-MB)
Low density	80
Read/Write heads	2
Access Times	
Track-to track (high/low)	3 ms/6 ms
Average (high/low)	94 ms/174 ms
Settling time	15 ms
Latency average	100 ms

AC Adapter

Dimensions (HxWxL)	1.42 x 2.83 x 4.69 in/3.6 x 11.9 x 7.2 cm
Weight	.66 lb/.3 kg
Power Supply (Input)	
Nominal Voltage	120 VAC
Current	<1.11 A
Voltage Range	90-265 VAC
Input Frequency	47 to 63 Hz
Power Supply (Output)	
Nominal Voltage	+18.5 +/- 0.25 VDC
Current	40 to 42 W
Temperature	
Normal Operating	140°F/60°C
Operating	41 to 104°F/5 to 40°C
Nonoperating	-4 to 185°F/-20 to 85°C
Relative Humidity	
Operating	10 to 95%
Nonoperating	10 to 95%

**Lithium Ion Modular
Battery Pack**

Dimensions (HxWxD)	.77 x 4.35 x 5.34 in/1.9 x 11.0 x 13.6 cm
Weight	.88 lb/.39 kg
Energy	
Voltage	14.4V
Amp-hour capacity	2.8 Ah
Watt-hour capacity	40 Wh
Temperature	
Operating	50° to 104° F/10° to 40° C
Nonoperating	-12° F to 140°F/-30° to 60°C

**Lithium Ion Handle
Battery Pack**

Dimensions (HxWxD)	.89 x 1.53 x 11 in/1.52 x 3.9 x 27.9 cm
Weight	.88 lb/.39 kg
Energy	
Voltage	14.4 V
Amp-hour capacity	2.8 Ah
Watt-hour capacity	40 Wh
Temperature	
Operating	50° to 104° F/10° to 40° C
Nonoperating	-12° F to 140°F/-30° to 60°C

20X Max² Mobile CD Unit

Dimensions (HxWxD)	.86 x 11.69 x 8.95 in/2.18 x 29.7 x 22.7 cm
Weight	2.0 lb/.91 kg
Power Supply (Input)	
Operating Voltage	100 to 240 VAC
Operating Current	1.10 Amp Maximum
Rated Voltage	100 to 240 VAC
Rated Current	1.0 Amp Maximum
Line Frequency	47 to 63 Hz
Temperature	
Operating	50 to 95°F/10 to 35°C
Nonoperating	-4 to 140°F/-20 to 60°C
Relative Humidity	
Operating	20 to 80%
Nonoperating	5 to 90%
Altitude	
Operating	10,000 ft/3.15 km
Nonoperating	30,000 ft/9.14 km
Shock	
Operating	5 G, 11 ms, half sine
Nonoperating	140 G, 2 ms, half sine
Vibration	
Operating	0.25 G, 5 to 500 Hz, 0.5 octave/min sweep rate
Nonoperating	0.75 G, 5 to 500 Hz, 0.5 octave/min sweep rate

20X Max² CD-ROM Drive (included with Mobile CD Unit)

Compatible Disc Formats	CD-ROM (Mode 1, 2 and 3) CD-DA CD-XA ready (Mode 2 Form 1, Form 2) CD-I ready (Mode 2, Form 1 and 2) CD-R (read only) CD Plus Photo CD (single and multi-session) CD Extra
Center Hole Diameter	15 mm
Disc Diameter	12 cm, 8 cm
Disc Thickness	1.2 mm
Track Pitch	1.6 µm
Laser	
Beam divergence	53.5 +/- 1.5°
Output power	0.13 +/- .1 mw
Type	Semiconductor Laser GaAlAs
Wave length	780 +/- 25 nm
Access Times (typical, including settling)	
Random	< 150 ms
Full stroke	< 600 ms
Audio Output Level	
Line out	0.7 Vrms
Headphone	none
Cache Buffer	128 KB
Data Transfer Rate (typical, including settling)	
Sustained	3.0 MB/s, 20X Outer Diameter 150 KB/s, single
Asynchronous Burst	8.3 MB/s
Startup Time	< 10 seconds

¹ Hard drive specifications may vary slightly depending on vendor.

² Data transfer rates will vary from 1276 KB/s to 3000 KB/s.