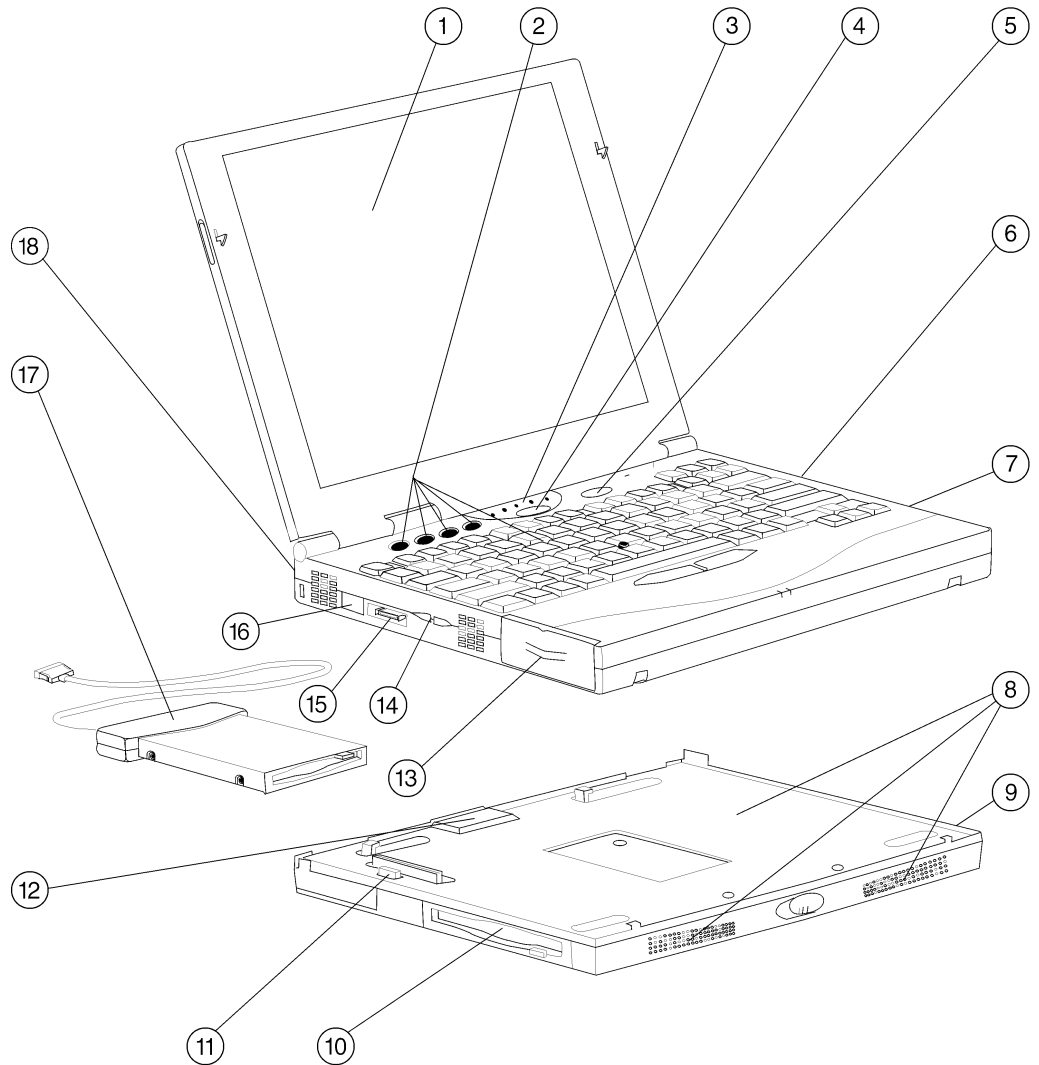


## Overview

### AT A GLANCE

- Lightweight Pentium® II notebook as light as 4.4 lbs, 2 kg
- Intel Mobile Pentium II processors from 266 to 300 MHz with 512-KB, level two cache, or Intel Mobile Pentium II 333 to 366 MHz with integrated 256-KB cache
- 13.3-inch CTFT display (1024 x 768) or 12.1-inch CTFT display (800 x 600)
- Magnesium alloy display enclosure
- High flexibility with Mobile 3500 Expansion Unit, which supports SuperDisk LS-120 Drive, Iomega Zip drive, floppy diskette drive, or a second Hard Drive (with adapter)
- Wide palm rest and Multi-functional EasyPoint IV™ Pointing Stick
- 64-bit PCI local bus graphics
- 32 MB and 64 MB SDRAM of standard memory --- Expandable up to 160 and 192 MB
- 4.1- or 6.4-GB<sup>1</sup> SMART Hard Drives
- Full-sized 101-key compatible keyboard
- Intelligent Manageability for lower total cost of ownership
- Compaq Services, including a three-year, Worldwide Limited Warranty<sup>2</sup> with second business day<sup>3</sup> expedited pick-up and repair in North America



- |   |   |
|---|---|
| 1. Display  | 10. MultiBay (supports second Hard Drive [with adapter], SuperDisk LS-120 Drive, Iomega Zip Drive or floppy diskette drive) |
| 2. Full-Sized Keyboard with Four User-programmable Keys     | 11. Expansion connector   |
| 3. LEDs   | 12. AC Adapter  |
| 4. Suspend/Resume Button                                    | 13. Li-Ion Battery  |
| 5. Power Switch   | 14. Volume Controls   |
| 6. PC Card Slots  | 15. External Diskette Drive port  |
| 7. Speakers   | 16. USB Port  |
| 8. Speakers, Subwoofer                                      | 17. External Diskette Drive adapter (supports floppy diskette drive)  |
| 9. Fixed 24X Max <sup>4</sup> CD-ROM Drive or DVD-ROM Drive | 18. Headphone/Microphone Connector  |

# QUICK SPECS

Compaq Armada 3500

## Standard Features

### MODELS

#### Windows NT

6366/13T/6.4GB/0/0/3  
310400-006

6333/12T/4.1GB/0/0/3  
310350-006

6300/13T/6.4GB/0/0/3  
310300-006

#### Windows 95

6366/13T/6.4GB/0/0/1  
310400-001

6333/12T/4.1GB/0/0/1  
310350-001

6300/13T/6.4GB/0/0/1  
310300-001

### Lightweight and Flexible Design

Ideal for the highly mobile professional, the Armada 3500 offers portability and flexibility. The Armada 3500 weighs as little as 4.4 pounds, is only 1.3-inches thick, and features Pentium II performance, full-size displays and a full-size keyboard. For flexibility and changing needs, the Armada 3500 may be connected to the Mobile 3500 Expansion Unit (MEU) for CD-ROM or DVD-ROM and MultiBay capabilities. The MultiBay supports a diskette drive, a second hard drive (with adapter), a SuperDisk LS-120 Drive or an Iomega Zip Drive.

### Processor

Intel Mobile Pentium II processor 366 MHz

6366/13T/6.4GB/0/0/3  
6366/13T/6.4GB/0/0/1

Intel Mobile Pentium II processor 333 MHz

6333/12T/4.1GB/0/0/3  
6333/12T/4.1GB/0/0/1

Intel Mobile Pentium II processor 300 MHz

6300/13T/6.4GB/0/0/3  
6300/13T/6.4GB/0/0/1

### Cache Memory

512 KB L2

6300/13T/6.4GB/0/0/3  
6300/13T/6.4GB/0/0/1

Integrated 256 KB L2

6366/13T/6.4GB/0/0/3  
6366/13T/6.4GB/0/0/1  
6333/12T/4.1GB/0/0/3  
6333/12T/4.1GB/0/0/1

### Memory

Standard 64 MB

Maximum 192 MB

6366/13T/6.4GB/0/0/3  
6366/13T/6.4GB/0/0/1  
6300/13T/6.4GB/0/0/3  
6300/13T/6.4GB/0/0/1

Standard 32 MB

Maximum 160 MB

6333/12T/4.1GB/0/0/3  
6333/12T/4.1GB/0/0/1

### Keyboard

101-key compatible keyboard with isolated, inverted-T cursor control keys, right-control key, four user-programmable keys, special feature hotkeys for instant access to power conservation, QuickLock/ QuickBlank, toggle between internal and external, or simultaneous displays, speaker volume control, brightness

## Standard Features

### Pointing Device

Keyboard-integrated, textured, multi-functional EasyPoint IV Pointing Stick with press-to-select features with Function (Fn + F2) settings

### PC Card Slots

Two Type II/One Type III PC Card Slot(s) with CardBus<sup>5</sup>

### Storage

Diskette Drives 1.44 MB

#### Hard Drives

##### 6.4-GB<sup>1</sup> SMART

6366/13T/6.4GB/0/0/3

6366/13T/6.4GB/0/0/1

6300/13T/6.4GB/0/0/3

6300/13T/6.4GB/0/0/1

##### 4.1-GB<sup>1</sup> SMART

6333/12T/4.1GB/0/0/3

6333/12T/4.1GB/0/0/1

### Multimedia

To experience full Compaq PremierSound™, add the MEU containing stereo speakers and subwoofer.

Integrated 16-bit Sound Blaster Pro-compatible audio

Integrated speaker

Hardware/software volume control

Headphone out jack

Microphone in jack

Software MPEG

### Interfaces

PC Card	Two Type II/One Type III Slot(s)
Enhanced Parallel	1
Serial	1
External Monitor	1
External Keyboard/ Pointing Device	1
Convenience Base	1
Headphone/Line-out	1
Microphone	1
AC Power	1
RJ-11	1
Infrared	1 (4 Mb/s <sup>6</sup> supported)
USB	1

## Standard Features

### Graphics

---

Magnesium alloy display enclosure protects against the rigors of travel. The Armada 3500 also has 64-bit video graphics on a PCI local bus and 2-MB VRAM for increased color depth and graphics performance.

### Display

---

13.3-inch color XGA TFT with 1024 x 768 resolution and 24-bit true color (16.8M colors internal)

6366/13T/6.4GB/0/0/3  
6366/13T/6.4GB/0/0/1  
6300/13T/6.4GB/0/0/3  
6300/13T/6.4GB/0/0/1

---

12.1-inch color SVGA TFT with up to 800 x 600 resolution and 24-bit true color (16.8M colors internal)

6333/12T/4.1GB/0/0/3  
6333/12T/4.1GB/0/0/1

### Software

---

Windows NT Workstation 4.0  
Insight Management Agents  
Intelligent Manageability  
Security 32  
Diagnostics for Windows NT  
Compaq Power Management  
Online Safety and Comfort Guide  
Reference Guide  
Carbon Copy

6366/13T/6.4GB/0/0/3  
6333/12T/4.1GB/0/0/3  
6300/13T/6.4GB/0/0/3

---

Windows 95  
Insight Management Agents  
Intelligent Manageability  
Security 32  
Diagnostics for Windows 95  
Compaq Power Management  
Online Safety and Comfort Guide  
Reference Guide  
Carbon Copy

6366/13T/6.4GB/0/0/1  
6333/12T/4.1GB/0/0/1  
6300/13T/6.4GB/0/0/1

### OS Support

---

Windows NT Workstation 4.0  
Windows 98  
Windows 95

### Intelligent Manageability

---

The Armada 3500 lowers total cost of ownership by providing enhanced security, asset management and fault prediction with SMART drives. It also provides SMART drive alert, battery fault alert, thermal alert and memory alert for investment and data protection.

### Security

---

Cable lock support  
Power-on and setup passwords  
Ability to disable serial port, parallel port, diskette drive, diskette drive boot sequence  
Drive Lock for advanced data protection

---

## *Standard Features*

---

### **Power Supply**

The external AC Adapter weighs approximately 0.6 lb/0.27 kg, 10-foot power cord included.

---

### **Battery**

The Li-Ion Battery provides over 2 hours of battery life<sup>7</sup>. An optional Extended Life Li-Ion Battery provides over 3 hours of battery life<sup>7</sup>.

---

### **Power Conservation**

The Power Conservation provides Hibernation, Instant-On via Standby, pop-ups with three presets and one custom level of power conservation, as well as ACPI hardware-ready support.

---

### **Service and Support**

Compaq Services provides a range of services for the Armada 3500, including a three-year, Worldwide Limited Warranty<sup>2</sup>, with 7 x 24 service line at 1-800-OK-Compaq (1-800-652-6672) and a free three-year, second business day<sup>3</sup> pick-up and delivery service from Compaq. All shipping and handling materials are supplied by Compaq.

## Options

### Memory

128-MB SDRAM Memory Modules	315177-B21
64-MB SDRAM Memory Modules	314891-B21
32-MB SDRAM Memory Modules	314890-B21

### Monitors<sup>8</sup>

TFT8000 Flat Panel	307906-001
TFT5000 Flat Panel	325700-001
P1610 Color <sup>9</sup>	305708-001
P110 Color <sup>9</sup>	325600-001
P75 Color	307806-001
V1000 Color	351757-001
V900 Color	303500-001
V700 Color (opal)	325800-001
V75 Color (carbon)	307710-002
V500 Color	325900-001
S900 Color	360562-001
S700 Color	360512-001

### Hard Drives

6.4-GB <sup>1</sup> SMART Hard Drive (MEU)	310380-B21
6.4-GB <sup>1</sup> SMART Hard Drive (CPU)	310313-B21
4.1-GB <sup>1</sup> SMART Hard Drive (CPU)	310312-B21

### Integrated Optical Device Bay

24X Max<sup>4</sup> CD-ROM or DVD-ROM

### MultiBay

Accommodates diskette drive, SuperDisk LS-120 Drive, Iomega Zip drive, or a second hard drive (with adapter)

### Speakers

Provides full multimedia with integrated stereo speakers and subwoofer

### MultiBay Devices for the Mobile 3500

#### Expansion Bases

SuperDisk LS-120 Drive	310314-B21
Iomega Zip Drive	310315-B21
6.4-GB <sup>1</sup> SMART Hard Drive	310380-B21

### PC Card/Communications

Compaq Microcom 420 56K <sup>10</sup> Global Fax Modem PC Card	317900-001
Compaq Microcom 550 Combo PC Card	321550-001
10/100 TX PC Card UTP Controller	335506-B21
10 T PC Card UTP Controller	292806-B21
100 Base TX Ethernet Upgrade	225435-001
16/4 TR PC Card IBM UTP/STP Controller	301208-B21

For additional compatible PC Cards, view the Compaq PC Card Solution List on the Compaq website at <http://www.compaq.com/support/techpubs/pcmcia/pccardlist.html>.

### Mobile Expansion Unit

The Mobile 3500 Expansion Unit provides greater flexibility for the sophisticated mobile professional. Access to a variety of different media for additional storage or reference is made simple and portable without cumbersome cables.

24X Max <sup>4</sup> CD Mobile 3500 Expansion Unit	310250-001
DVD Mobile 3500 Expansion Unit	310330-001

### Convenience Bases

Convenience Base II (Ethernet) <sup>11</sup>	316239-001
Convenience Base II (Pass-Through) <sup>11</sup>	316238-001

### Power

AC Power Cord, 10-foot	217932-002
Extended Life Battery, 9 cell Li-Ion	310316-B21
Auto/Aircraft Adapter	296537-B21
AC Adapter with battery charger	310381-B21

### Input Devices

External Enhanced III Keyboard (opal)	294343-001
External Enhanced III Keyboard (carbon)	118003-008
Compaq Mouse (opal)	143315-B21
Compaq Mouse (carbon)	103180-B21

## Options

### Other

---

Security Lock	294316-B21
Portable Video Conferencing Kit	296954-001
Armada Headset with Microphone	220460-001
Universal Monitor Stand	294315-B21
Margi DVD-to-go Playback PC Card	202861-B21

### Carrying Cases

---

CPQ Value Case	294260-B21
CPQ Workstation Case	294267-B21
CPQ Global Case	294268-B21
CPQ Professional Case (Nylon)	401366-B21
CPQ Professional Case (Leather)	401367-B21

For additional Compaq Brand cases, call  
1-800-888-5903.

## Memory

Compaq Armada 3500  
6333/12T/4.1GB/0/0/1, 6333/12T/4.1GB/0/0/3

### STANDARD MEMORY

32 MB Standard on System Board

Standard	Slot
32 MB	1 Empty

### STANDARD MEMORY PLUS

#### OPTIONAL MEMORY

Support for up to 160 MB of memory is available with the installation of optional SDRAM Memory Kits.

Up To	Slot
64 MB	1 32 MB
96 MB	64 MB
160 MB	128 MB

Following are memory options available from Compaq:

- 128-MB SDRAM Memory Kit 315177-B21
- 64-MB SDRAM Memory Kit 314891-B21
- 32-MB SDRAM Memory Kit 314890-B21

## Memory

Compaq Armada 3500 6300/13T/6.4GB/0/0/1, 6300/13T/6.4GB/0/0/3,  
6366/13T/6.4GB/0/0/1, 6366/13T/6.4GB/0/0/3

### STANDARD MEMORY

64 MB Standard on System Board

Standard	Slot
64 MB	1 Empty

### STANDARD MEMORY PLUS

#### OPTIONAL MEMORY

Support for up to 192 MB of memory is available with the installation of optional SDRAM Memory Kits.

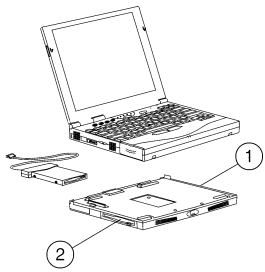
Up To	Slot
	1
96 MB	32 MB
128 MB	64 MB
192 MB	128 MB

Following are memory options available from Compaq:

- 128-MB SDRAM Memory Kit 315177-B21
- 64-MB SDRAM Memory Kit 314891-B21
- 32-MB SDRAM Memory Kit 314890-B21

## Storage

### DRIVE SUPPORT



- 1 Integrated in Mobile 3500 Expansion Unit Optical Bay
- 2 Mobile 3500 Expansion Unit MultiBay

	Quantity Supported	Drive Bay Supported
<b>Optional MEU Drive Support</b>		
1.44-MB Diskette Drive	Up to 1	Mobile 3500 Expansion Unit MultiBay
SuperDisk LS-120 Drive	Up to 1	Mobile 3500 Expansion Unit MultiBay
Omega ZIP Drive	Up to 1	Mobile 3500 Expansion Unit MultiBay
6.4-GB <sup>1</sup> SMART Hard Drive	Up to 1	Mobile 3500 Expansion Unit MultiBay
24X Max <sup>4</sup> CD-ROM	Up to 1	Integrated in Mobile 3500 Expansion Unit Optical Bay
DVD-ROM Drive	Up to 1	Integrated in Mobile 3500 Expansion Unit Optical Bay
<b>CPU Hard Drive Support</b>		
6.4-GB <sup>1</sup> SMART Hard Drive	Up to 1	System Upgrade
4.1-GB <sup>1</sup> SMART Hard Drive	Up to 1	System Upgrade

## Technical Specifications

### System Unit

#### Dimensions (HxWxD)

Stand alone system 9.3 x 11.8 x 1.3 in/23.6 x 30 x 3.3 cm

#### Weight (system only)

##### Models with 13.3-in Display

(6300 and 6366)

##### Stand alone Configured

CPU Only 4.8 lbs/2.2 kg

With AC Adapter and Power Cord  
(total carrying weight) 5.7 lbs./2.6 kg

##### With External FDD Configured

Without Power Cord 5.5 lbs/2.5 kg

With Power Cord  
(total carrying weight) 6.4 lbs/2.9 kg

##### Models with 12.1-in Display

(6266 and 6333)

##### Stand alone Configured

CPU Only 4.4 lbs/2 kg

With AC Adapter and Power Cord  
(total carrying weight) 5.3 lbs./2.4 kg

##### With External FDD Configured

Without Power Cord 5.1 lbs/2.3 kg

With Power Cord  
(total carrying weight) 6 lbs/2.7 kg

#### Stand-Alone Power Requirements

Maximum Operating Power 20W

Peak Operating Power 28W (with MEU)

#### Power Supply (external AC adapter)

Rated Input Voltage 100 to 240 VAC

Rated Input Current 1A

Line Frequency 50 to 60 Hz

#### Temperature

Operating 50° to 95°F/10° to 35°C

Non-operating -4° to 140°F/-20° to 60°C

#### Relative Humidity

Operating 10% to 90% Relative humidity (Rh), non-condensing

Non-operating 5% to 95% Relative humidity (Rh), 101.6°F/38.7°C maximum wet bulb temperature

#### Shock

Operating 10 G (11ms half-sine)

Non-operating 60 G (11ms half-sine)

#### Vibration

Operating 0.25 F (5 to 500 Hz, 1 oct/min sweep rate)

Non-operating 1 G (5 to 500 Hz, 1 oct/min sweep rate)

#### Maximum Altitude

Operating 10,000 ft/3,048 m

Non-operating 30,000 ft/9,144 m

# QUICK SPECS

Compaq Armada 3500

## Technical Specifications

### 13.3-Inch Color XGA TFT 1024 x 768 Display

<b>Dimensions (HxW)</b>	10.6 x 7.9 in/26.9 x 20.1 cm
<b>Diagonal Size</b>	13.3 in/33.8 cm
<b>Mounting</b>	Internal
<b>Number of Colors</b>	Up to 16.8M with dithering
<b>Contrast Ratio</b>	Minimum 100:1
<b>Brightness</b>	Over 120 cd/m <sup>2</sup>
<b>Pixel Resolution</b>	
Pitch	0.264 x 0.264 mm
Format	1024 x 768
Configuration	RGB stripe
<b>Backlight</b>	Edge Lit
<b>Character Display</b>	80 x 25
<b>Total Power Consumption (maximum)</b>	7W

### 12.1-Inch Color TFT SVGA 800 x 600 Display

<b>Dimensions (HxW)</b>	7.26 x 9.68 in/18.45 x 24.6 cm
<b>Diagonal Size</b>	12.1 in/30.7 cm
<b>Mounting</b>	Internal
<b>Number of Colors</b>	Up to 16.8M with dithering
<b>Contrast Ratio</b>	150:1
<b>Brightness</b>	Over 135 cd/m <sup>2</sup>
<b>Pixel Resolution</b>	
Pitch	31 x 31 mm
Format	800 x 600
Configuration	RGB Stripe
<b>Backlight</b>	Edge Lit
<b>Character Display</b>	80 x 25
<b>Total Power Consumption</b>	7W

# QUICKSPECS

Compaq Armada 3500

## Technical Specifications

### Hard Drives

<b>6.4 GB<sup>1</sup></b>	<b>Capacity</b>	6.4 GB <sup>1</sup>	<b>Seek Time</b> (typical reads, including settling)	
	<b>Height</b>	1 in/25.4 mm	Single Track	3 ms
	<b>Width</b>	2.5 in/63.5 mm	Average	13 ms (read)
	<b>Interface</b>	ATA	Full-Stroke	23 ms
	<b>Transfer Rate</b>		Rotational Speed	4,200 rpm
	Synchronous (Maximum)	33.3 MB	<b>Physical Configuration</b>	
			Bytes/sector	512
			<b>Operating Temperature</b>	41° to 131°F/5° to 55°C

<b>4.1 GB<sup>1</sup></b>	<b>Capacity</b>	4.1 GB <sup>1</sup>	<b>Seek Time</b> (typical reads, including settling)	
	<b>Height</b>	1 in/25.4 mm	Single Track	4 ms
	<b>Width</b>	2.5 in/63.5 mm	Average	13 ms (read)
	<b>Interface</b>	ATA	Full-Stroke	23 ms
	<b>Transfer Rate</b>		Rotational Speed	4,009 rpm
	Synchronous (Maximum)	33.3 MB	<b>Physical Configuration</b>	
			Bytes/sector	512
			<b>Operating Temperature</b>	41° to 131°F/5° to 55°C

### Diskette Drive

<b>Diskette Size</b>	3.5 in
<b>Light</b>	On-System
<b>Height</b>	0.5 in/12.7 mm
<b>Bytes per Sector</b>	512
<b>Sectors per track</b>	
High density	18 (1.44 MB)/15 (1.2 MB)
Low density	9
<b>Tracks per side</b>	
High density	80 (1.44 MB)/80 (1.2 MB)
Normal density	80
<b>Read/Write heads</b>	2
<b>Access Times</b>	
Track-to-track (high/low)	3 ms/6 ms
Average (high/low)	94 ms/174 ms
Settling time	15 ms
Latency average	100 ms

### AC Adapter (external)

<b>Dimensions (HxWxL)</b>	1.1 x 1.8 x 4.3 in/2.7 x 4.4 x 10.5 cm
<b>Weight</b>	0.6 lb/0.3 kg
<b>Power Supply (Input)</b>	
Voltage	100 to 240 VAC
Current	1 A
Input Frequency	50 to 60 Hz

# QUICK SPECS

Compaq Armada 3500

## Technical Specifications

### Standard Li-Ion Battery Pack

<b>Dimensions (HxWxL)</b>	0.9 x 8.6 x 2.64 in/2.4 x 21.8 x 6.7 cm
<b>Weight</b>	0.7 lb/0.3 kg
<b>Cells</b>	6
<b>Energy</b>	
Voltage	10.8V
Amp-hour capacity	3 Ah
Watt-hour capacity	32.4W
<b>Performance (typical)</b>	
Charging time (6-cell)	2 hours non-operating/4 hours trickle charge
Battery Life (6-cell)	Over 2 hours <sup>7</sup>
Suspend Life (6-cell)	250 hours/10 days

### Extended Life Li-Ion Battery Pack (optional)

<b>Dimensions (HxWxL)</b>	0.9 x 11.2 x 2.6 in/2.4 x 28.4 x 6.7 cm
<b>Weight</b>	0.9 lb/0.4 kg
<b>Energy</b>	
Voltage	10.8 V
Amp-hour capacity	4.5 Ah
Watt-hour capacity	48.6Wh
<b>Performance</b>	
Battery Life (9-cell)	Over 3 hours <sup>7</sup>
Charging time (9-cell)	3 hours non-operating/5 hours trickle charge

### Mobile 3500 Expansion Unit - DVD and 24X<sup>4</sup> Max CD Models (optional)

<b>Dimensions (HxWxD)</b>	
Stand-alone	0.9 x 11.7 x 9 in/2.3 x 30 x 23.6 cm
With system	2.1 x 11.8 x 9.3 in/5.4 x 30 x 23.6 cm
<b>Weight</b>	2.6 lbs/1.2 kg
<b>Power Supply (input)</b>	
Rated Voltage	100 to 240 VAC
Rated Current	1 Amp Maximum
Line Frequency	50 to 60 Hz

### DVD Drive (integrated in the Mobile 3500 Expansion Unit)

<b>Compatible Disc Formats</b>	DVD; DCD-Video, DVD-ROM, DVD-R, CD-DA, CD-ROM, CD-XA (except ADPCM), CD-I ready, CD-R (read only), CD-Plus, Photo CD, CD-Extra, Video CD
<b>Center Hole Diameter</b>	15 mm
<b>Disc Diameter</b>	12 cm, 8 cm
<b>Disc Thickness</b>	1.2 mm
<b>Track Pitch</b>	1.6 $\mu$ m
<b>Laser</b>	
Beam divergence	53.5 $\pm$ 1.5°
Output power	0.13 $\pm$ 0.1 mw
Type	Semiconductor Laser GaAlAs
Wave length	780 $\pm$ 25 nm

## Technical Specifications

DVD Drive (integrated in the Mobile 3500 Expansion Unit)  
(continued)

<b>Access Times</b> (typical, including settling)	
DVD-ROM	200 ms
CD-ROM	150 ms
<b>Audio Output Level</b>	
Line-out	0.8 ± 0.27 Vrms
Headphone	None
<b>Cache Buffer</b>	128 KB
<b>Data Transfer Rate</b> (typical, including settling)	
DVD-ROM	2X CLV (2700 Kb/s)
CD-ROM	20X Max (3000 Kb/s)
<b>Burst</b>	16.66 Mb/s
<b>Start-up Time</b>	< 15 seconds
<b>Stop Time</b>	< 6 seconds

24X Max<sup>4</sup> CD Drive (integrated in the Mobile 3500 Expansion Unit)

<b>Compatible Disc Formats</b>	CD-ROM, CD_XA ready (Except ADPCM), CD-I ready, CD-DA, CD-R (read only), CD Plus, Photo CD (Single and Multi-session), CD-Extra, Video CD, CD-G, CD-RW
<b>Center Hole Diameter</b>	15 mm
<b>Disc Diameter</b>	8 cm
<b>Disc Thickness</b>	1.2 mm
<b>Track Pitch</b>	1.6 μm
<b>Laser</b>	
Output power	0.24 ± 0.1 mW
Type	GaAlAs double hetero laser diode
Wave length	780 nm at Ph-4.3 mW
<b>Access Time</b>	
Random	150 ms (typical)
Full-stroke	300 ms (typical)
<b>Audio Output Level – Line Out</b>	0.8 ± 0.27 Vrms
<b>Cache Buffer</b>	128 KB
<b>Data Transfer Rates</b>	
Sustained	150 KB/s (sustained 1X)
Variable	1500 to 3600 KB/s (10X to 24X)
<b>Start-up Time</b>	< 8 sec
<b>Stop Time</b>	< 4 sec

<sup>1</sup> For Hard Drives, GB = Billion Bytes.

<sup>2</sup> Certain restrictions and exclusions apply. Service and support programs vary by geographic regions. Consult the Compaq Customer Support Center for details.

<sup>3</sup> Pick up and delivery service is available in 48 contiguous US States and Canada. Eligibility for priority pick-up (second business day return) is limited to certain geographic locations. Carry-in services available outside the US and Canada.

<sup>4</sup> Data transfer rates will vary from 150 KB/s to 3,600 KB/s.

<sup>5</sup> Full support in Windows 9.x.

<sup>6</sup> IrDA 4 MB compliant. IR performance will vary depending on performance of IR peripherals and applications used.

<sup>7</sup> When tested in the standard configuration using the Ziff-Davis BatteryMark test version 1.0, the battery life of the Armada 3500 family will range from 2 hours and 0 minutes to 3 hours and 0 minutes, depending on individual usage.

<sup>8</sup> AssetControl monitor. AssetControl features are accessible with Compaq desktops featuring Intelligent Manageability.

<sup>9</sup> May not be compatible with the ArmadaStation Monitor Support Stand, the Convenience Base I, or the Convenience Base II due to weight limitations.

<sup>10</sup> Designed only to allow faster downloads from K56flex compliant sources. Maximum achievable download transmission rates currently do not reach 56 KB/s, and will vary with line conditions. Modem only supports Windows 9.x and Windows NT 4.0.

<sup>11</sup> Armada 1500 compatible.