

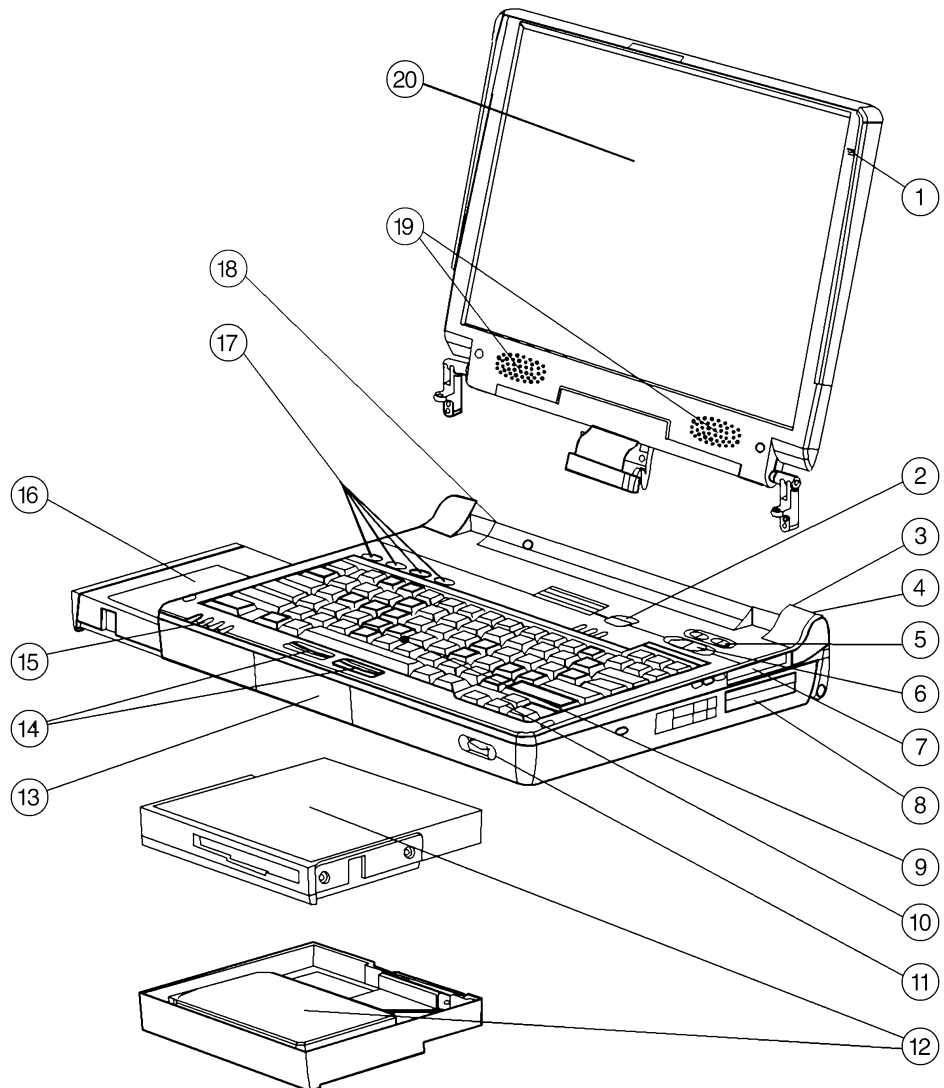
# QUICKSPECS

Compaq Armada 7800

## Overview

### AT A GLANCE

- Intel Mobile Pentium® II processor up to 400 MHz
- AGP (Accelerated Graphics Port) implementation
  - 66-MHz graphics bus
  - 4-MB SGRAM
- 64-MB SDRAM
  - Expandable up to 256 MB
- 56K V.90<sup>1</sup> Modem
- Up to a 28-GB<sup>2</sup> storage in portable with second 14-GB<sup>2</sup> Hard Drive
- Integrated AC adapter
- Convenient MultiBay design
- 3 spindle support with Armada 7400/7800 External Diskette Drive option
- Software:
  - Choice of MS Windows 95 or MS Windows NT Workstation 4.0 (SP3)
  - Intelligent Manageability
  - MS Internet Browser
- Compaq Services, including a three-year, Worldwide Limited Warranty<sup>3</sup> with second business day<sup>4</sup> expedited pick-up and repair in North America



1. Microphone
2. Standby Button
3. RJ-11 Connector for integrated 56K<sup>5</sup> or 33.6 Kb/s data/14.4 fax modem (modem model only)
4. USB Port
5. Volume Control and Mute Buttons
6. Power Switch
7. 25-pin International DAA/Cellular Phone Connector (modem models only/model dependent)
8. Two Type II/One Type III PC Card Slot(s) (zoomed video in bottom slot); CardBus-capable<sup>6</sup>
9. EasyPoint III Pointing Device
10. Keyboard with Dedicated Home, End, Page-up and Page-down Keys and Inverted-T Cursor Keys
11. MultiBay DVD-ROM Drive<sup>7</sup>. 1.44-MB Floppy Drive ships standard with all models
12. Other MultiBay devices (Diskette Drive, second Hard Drive are shown, also available second Battery, SuperDisk LS-120 Drive and CD-ROM Drive)
13. Removable SMART Hard Drive up to 14 GB<sup>2</sup>
14. Pointing Device Buttons
15. Suspend/Power, Battery, Hard Drive and MultiBay Status LEDs
16. Li-Ion Battery Pack
17. Four User-programmable Keys
18. Integrated AC Adapter (connector on back)
19. Stereo Speakers
20. 14.1-in Color TFT Display

# QUICK SPECS

Compaq Armada 7800

## Standard Features

### MODELS

#### Windows NT Workstation 4.0 and Integrated Modem

6400/14T/14GB/V/M/3  
120958-002

6366/14T/14GB/V/M/3  
386743-002

#### Windows NT Workstation 4.0 Non-Modem

6300/14T/8GB/V/O/3  
315050-002

#### Windows 95 and Integrated Modem

6400/14T/14GB/V/M/1  
120956-002

6366/14T/14GB/V/M/1  
386741-002

6300/14T/8GB/V/M/1  
315130-002

#### Windows 95 Non-Modem

6300/14T/8GB/V/O/1  
315000-002

### Powerful/Expandable Design

The Armada 7800 is the ultimate powerhouse, with unprecedented desktop expansion solutions. This portable provides superior performance on the road and unmatched expansion using the award-winning ArmadaStation II.

### Processor

Intel Mobile Pentium II processor 400 MHz  
6400/14T/14GB/V/M/3  
6400/14T/14GB/V/M/1

Intel Mobile Pentium II processor 366 MHz  
6366/14T/14GB/V/M/3  
6366/14T/14GB/V/M/1

Intel Mobile Pentium II processor 300 MHz  
6300/14T/8GB/V/O/3  
6300/14T/8GB/V/M/1  
6300/14T/8GB/V/O/1

### Cache Memory

512-KB L2  
6300/14T/8GB/V/O/3  
6300/14T/8GB/V/M/1  
6300/14T/8GB/V/O/1

Integrated 256-KB L2  
6400/14T/14GB/V/M/3  
6400/14T/14GB/V/M/1  
6366/14T/14GB/V/M/3  
6366/14T/14GB/V/M/1

### Memory

Standard	64 MB
Maximum	256 MB

### Communications

56K V.90<sup>1</sup> Modem  
6400/14T/14GB/V/M/3  
6400/14T/14GB/V/M/1  
6366/14T/14GB/V/M/3  
6366/14T/14GB/V/M/1

Integrated 33.6/14.4 Kb/s modem with DSV<sup>2</sup> upgradable to K56flex<sup>5</sup> protocol, direct cellular support and protection from power surges and digital phone lines

6300/14T/8GB/V/M/1

### Keyboard

101-key compatible keyboard with isolated, inverted-T cursor control keys and right-control key, four user-programmable keys, special feature hotkeys for instant access to power conservation QuickLock/QuickBlank, battery charge status, brightness, mute and toggle between internal and external, or simultaneous displays

### Pointing Device

Keyboard-integrated, textured, EasyPoint III

### PC Card Slots

Two Type II/One Type III PC Card Slot(s) which support both 32-bit CardBus<sup>6</sup> and 16-bit PC Cards; Zoomed Video support in bottom slot only; telephony support in top slot only

## Standard Features

### Storage

Diskette Drive 1.44 MB

DVD-ROM<sup>7</sup> Drive

#### Hard Drives

14-GB<sup>2</sup> SMART

6400/14T/14GB/V/M/3

6400/14T/14GB/V/M/1

6366/14T/14GB/V/M/3

6366/14T/14GB/V/M/1

8-GB<sup>2</sup> SMART

6300/14T/8GB/V/O/3

6300/14T/8GB/V/M/1

6300/14T/8GB/V/O/1

### Multimedia

16-bit Compaq *Premier•Sound*<sup>™</sup> for enhanced stereo audio (16-bit Sound Blaster Pro compatible), integrated stereo speakers and microphone, software volume control, stereo line-in, headphone out, microphone-in jacks, standard CD-ROM Drive or DVD-ROM Drive, software MPEG1 and hardware Wave Table audio for more realistic sound; software MPEG2 is available

### Interfaces

PC Card	Two Type II/One Type III Slot(s)
Enhanced Parallel	1
Serial	1
External Monitor	1
External Keyboard/ Pointing Device	1
Convenience Base	1
Headphone/Line-out	1
Microphone	1
AC Power	1
RJ-11	1 (model dependant)
Infrared	1 (4 Mb/s <sup>8</sup> support)
USB	1

### Graphics

AGP implementation with dedicated 66-MHz graphics bus. Frame mode supports S3 ViRGE/MX<sup>™</sup> graphics controller with 4 MB of 100-MHz SGRAM; up to 100 Hz external refresh at SVGA resolution up to 16.8M colors. Simultaneous display support in different resolutions

### Display

14.1-inch CTFT 1024 x 768 panel

## Standard Features

### Software

---

Windows NT Workstation 4.0 SP3, Compaq Intelligent Manageability, Security 32, Diagnostics for Windows NT, Compaq Power Management, Online Safety and Comfort Guide, Reference Guide, Carbon Copy

6400/14T/14GB/V/M/3  
6366/14T/14GB/V/M/3

---

Windows NT Workstation 4.0 SP3, Compaq Intelligent Manageability, Microsoft Internet Explorer and Compaq Power Management

6300/14T/8GB/V/O/3

---

Windows 95 OSR 2.5, Compaq Intelligent Manageability, Security 32, Diagnostics for Windows 95, Compaq Power Management, Online Safety and Comfort Guide, Reference Guide, Carbon Copy

6400/14T/14GB/V/M/1  
6366/14T/14GB/V/M/1

---

Windows 95 OSR 2.5, Compaq Intelligent Manageability, Microsoft Internet Explorer, Microsoft NetMeeting, Microsoft PC Card Manager and Compaq Power Management

6300/14T/8GB/V/M/1  
6300/14T/8GB/V/O/1

---

### OS Support

---

Windows NT Workstation 4.0 SP4  
Windows NT Workstation 4.0 SP3  
Windows 98  
Windows 95 OSR 2.5  
Windows 3.1x

### Intelligent Manageability

---

The Armada 7800 lowers total cost of ownership by providing enhanced security, asset management and fault prediction. It also provides system alerts such as SMART Drive alert, battery fault alert, thermal alert, and memory alert for investment and data protection.

### Security

---

Cable lock support  
Power-on and setup passwords  
QuickLock/QuickBlank  
Ability to disable serial port, parallel port, PC Card slots, diskette drive, diskette drive boot sequence, infrared port  
MultiBay and hard drive security screw  
Memory door security screw (tool included)  
DriveLock Security for advanced data protection  
Password protection resides on the drive

### Power Supply

---

Integrated AC Adapter for less bulky transportation, 8-foot power cord included

### Battery

---

Li-Ion Battery Pack provides over 2 hours of battery life<sup>9</sup>; a second battery can be supported in the MultiBay for increased battery life. Battery QuickCheck button on battery pack provides instant visual indication of charge status. A new enhanced battery option (standard on 366- or 400-MHz models) provides over 3.2 hours of battery life<sup>10</sup>.

### Power Conservation

---

Hibernation, Instant-On via Suspend; pop-ups with three presets and one custom level of power conservation

### Service and Support

---

Compaq Services provides a range of services for the Armada 7800, with 7 x 24 service line at 1-800-OK-COMPAQ (1-800-652-6672) and a three-year, Worldwide Limited Warranty<sup>3</sup> with second business day<sup>4</sup> pick-up and delivery service from Compaq. All shipping and handling materials are supplied and arranged by Compaq.

# QUICKSPECS

Compaq Armada 7800

## Options

### Memory

128-MB SDRAM Memory	315177-B21
64-MB SDRAM Memory	314891-B21
32-MB SDRAM Memory	314890-B21

### Monitors<sup>11</sup>

TFT8000 Flat Panel	307906-001
TFT5000 Flat Panel	325700-001
P1610 Color <sup>12</sup>	305708-001
P1100 Color <sup>12</sup>	325606-001
P900 Color	386326-001
P700 Color	380207-001
P110 Color <sup>12</sup>	325600-001
P75 Color	307806-001
V1100 Color <sup>12</sup>	386472-001
V1000 Color <sup>12</sup>	351757-001
V900 Color	303500-001
V700 Color (opal)	325800-001
V75 Color (carbon)	307712-002
V500 Color	325900-001
S910 Color <sup>12</sup>	138485-001
S900 Color <sup>12</sup>	360562-001
S710 Color	152991-001
S700 Color	360512-001

### Optical Drives

Armada 7400/7800 External Diskette Drive	297186-B21
--	------------

### Hard Drives

14-GB <sup>2</sup> SMART Hard Drive	354231-B25
8-GB <sup>2</sup> SMART Hard Drive	315043-B25

### MultiBay Devices

24X Max <sup>13</sup> CD-ROM Drive	298452-B25
DVD-ROM <sup>7</sup> Drive	314914-B25
SuperDisk LS-120 Drive	295402-B25
Armada 7800 Hard Drive Adapter	267868-B25
Armada 7000 Hard Drive Adapter	267868-001

### PC Cards/Communications

Compaq Microcom 420 56K <sup>5</sup> PC Card	317900-001
SpeedPac Cellular PC Card	221202-001
10/100 TX PC Card UTP Controller	335506-B21
10 T PC Card UTP Controller	292806-B21
10 2 PC Card Coax Controller	292807-B21
10/100 TX PC Card UTP Controller Upgrade	292813-B21
100 Base TX Ethernet Upgrade	225435-001

### PC Cards/Communications (continued)

Int'l Modem Adapter	248075-001
Int'l DAA Cables (country specific)	234407-xx3
16/4 TR PC Card IBM UTP/STP Controller	301208-B21

For additional compatible PC Cards, view the Compaq PC Card Solutions List on the Compaq website at <http://www.compaq.com/support/techpubs/pcmcia/pccardlist.html>. Please note this website is available in English only.

### Expansion/Convenience Bases

ArmadaStation II Expansion Base (opal)	203100-001
ArmadaStation II Expansion Base (carbon)	112162-001
ArmadaStation Tower Stand (opal)	267863-B25
Armada 7000 Half Height MultiBay Adapter	220681-001
Armada MiniStation E Convenience Base (opal)	327137-001
Monitor Support Stand for MiniStation E Convenience Base (opal)	319660-001

### Power

Armada 7000 Battery Charger	220461-001
Armada 7800 Li-Ion Battery Pack	220463-B25
Armada 7800 Enhanced Li-Ion Battery Pack	104723-B25
Auto/Aircraft adapter	296537-B21
AC Power cord, 10-foot	217932-002

### Input Devices

External Infrared Transceiver	220687-002
External Enhanced III Keyboard (opal)	294343-001
External Enhanced III Keyboard (carbon)	118003-008
Compaq Mouse (opal)	143315-B21
Compaq Mouse (carbon)	103180-B21
Compaq Microsoft Intellimouse	294306-B21

### Other

Security Lock	294316-B21
Portable Video Conferencing Kit	296954-001
Armada Headset with microphone	220460-001
Universal Monitor Stand	294315-B21

### Carrying Cases

CPQ Value Case	294266-B21
CPQ Workstation Case	294267-B21
CPQ Global Case	294268-B21
CPQ Professional Case (Nylon)	401366-B21
CPQ Professional Case (Leather)	401367-B21

For additional Compaq Brand cases, call 1-800-888-5903.

## Memory

Compaq Armada 7800 Models 6300/14T/8GB/V/O/3, 6300/14T/8GB/V/M/1 and 6300/14T/8GB/V/O/1

### STANDARD MEMORY

64-MB SDRAM – 32-MB SDRAM on System Board and 32-MB SDRAM Memory Upgrade installed in one slot

Standard	Slot	
	1	2
64 MB	32 MB	Empty

### STANDARD MEMORY PLUS

#### OPTIONAL MEMORY

Support for up to 192 MB of SDRAM memory is available with the installation of optional SDRAM Memory Upgrade.

Up To	Slot	
	1	2
96 MB	32 MB	32 MB
128 MB	32 MB	64 MB
192 MB	32 MB	128 MB

### STANDARD MEMORY REPLACED

#### WITH OPTIONAL MEMORY

Support for up to 256 MB of SDRAM memory is available with the removal of the standard 32-MB SDRAM Memory Kit and the installation of optional SDRAM Memory Upgrade in addition to the 32-MB SDRAM on the System Board.

Up To	Slot	
	1	2
128 MB	64 MB	64 MB
192 MB	128 MB	64 MB
256 MB	128 MB	128 MB

**Note:** Because one memory slot is occupied on these products, the 32-MB SDRAM Memory Upgrade (which ships standard on the Armada 7800) must be removed to reach the maximum memory of 256 MB. This chart does not represent all possible memory configurations. Maximum ROM memory support is 256 MB.

Following are memory options from Compaq:

- 128-MB SDRAM Memory Upgrade 315177-B21
- 64-MB SDRAM Memory Upgrade 314891-B21
- 32-MB SDRAM Memory Upgrade 314890-B21

## Memory

Compaq Armada 7800 Models 6400/14T/14GB/N/M/3, 6400/14T/14GB/N/M/1, 6366/14T/14GB/N/M/3 and 6366/14T/14GB/N/M/1,

### STANDARD MEMORY

64-MB SDRAM Memory Upgrade installed in one slot

Standard	Slot	
	1	2
64 MB	64 MB	Empty

### STANDARD MEMORY PLUS OPTIONAL MEMORY

Support for up to 192 MB of SDRAM memory is available with the installation of optional SDRAM Memory Upgrade.

Up To	Slot	
	1	2
96 MB	64 MB	32 MB
128 MB	64 MB	64 MB
192 MB	64 MB	128 MB

### STANDARD MEMORY REPLACED WITH OPTIONAL MEMORY

Support for up to 256 MB of SDRAM memory is available with the removal of the standard 64-MB SDRAM Memory Kit and the installation of optional SDRAM Memory Upgrade.

Up To	Slot	
	1	2
192 MB	128 MB	64 MB
256 MB	128 MB	128 MB

**Note:** Because one memory slot is occupied on these products, the 64-MB SDRAM Memory upgrade (which ships standard on the Armada 7800) must be removed to reach the maximum memory of 256 MB. This chart does not represent all possible memory configurations. Maximum ROM memory support is 256 MB.

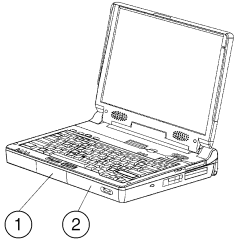
Following are memory options from Compaq:

- 128-MB SDRAM Memory Upgrade 315177-B21
- 64-MB SDRAM Memory Upgrade 314891-B21
- 32-MB SDRAM Memory Upgrade 314890-B21

# QUICK SPECS

Compaq Armada 7800

## Storage



- 1 MultiBay
- 2 Removable Hard Drive

### DRIVE SUPPORT

	Quantity Supported	Drive Bays Supported
<b>Removable Media</b>		
1.44-MB Diskette Drive	Up to 1	MultiBay
DVD-ROM <sup>7</sup>	Up to 1	MultiBay
24X Max <sup>13</sup> CD-ROM Drive	Up to 1	MultiBay
SuperDisk LS-120	Up to 1	MultiBay
<b>Hard Drives</b>		
14-GB <sup>2</sup> SMART Hard Drive	Up to 2	Removable Hard Drive and MultiBay
8-GB <sup>2</sup> SMART Hard Drive	Up to 2	Removable Hard Drive and MultiBay



## Technical Specifications

### System Unit

<b>Dimensions</b> (HxWxD)	2 x 12.6 x 10.2 in/5.08 x 32. x 25.9 cm
<b>Weight</b> (modem installed)	
CD-ROM/DVD-ROM configured (13.3-in)	
Without Power Cord	8.7 lbs/4 kg
With Power Cord (total carrying weight)	9 lbs/4.2 kg
Floppy Diskette Drive configured	
Without Power Cord	8.4 lbs/3.8 kg
With Power Cord (total carrying weight)	8.7 lbs/4 kg
Weight Saver configured	
Without Power Cord	7.9 lbs/3.6 kg
With Power Cord (total carrying weight)	8.2 lbs/3.7 kg
CD-ROM/DVD-ROM configured (14.1-in)	
Without Power Cord	8.8 lbs/4 kg
With Power Cord (total carrying weight)	9.2 lbs/4.2 kg
Floppy Diskette Drive configured	
Without Power Cord	8.5 lbs/3.8 kg
With Power Cord (total carrying weight)	8.8 lbs/4 kg
Weight Saver configured	
Without Power Cord	8 lbs/3.6 kg
With Power Cord (total carrying weight)	8.3 lbs/3.8 kg
<b>Stand-Alone Power Requirements</b>	
Average Operating Power	20W
Peak Operating Power	28W
<b>Power Supply</b>	
Rated Input Voltage	100 to 120/220 to 240 VAC
Rated Input Current	1.2/0.6A
Rated Frequency	50 to 60 Hz
<b>Temperature</b>	
Operating	50° to 104°F/10° to 40°C
Non-operating	-4° to 140°F/-20° to 60°C
<b>Relative Humidity</b>	
Operating	10% to 90% relative humidity, non-condensing
Non-operating	5% to 95% relative humidity, 101.6°F/38.7°C Maximum wet bulb temperature
<b>Shock</b>	
Operating	10 G, 11 ms, half sine
Non-operating	60 G, 11 ms, half sine
<b>Vibration</b>	
Operating	0.25 G, 50 to 500 Hz sine, 1/2 octave/minute sweep
Non-operating	1 G, 50 to 500 Hz sine, 1/2 octave/minute sweep
<b>Maximum Altitude</b>	
Operating	0 to 10,000 ft/3,048 m (14.7 to 10.1 psia)
Non-operating	0 to 30,000 ft/9,144 m (14.7 to 4.4 psia)

## Technical Specifications

### Display LCD

<b>Dimensions</b>	8.5 x 11.27 in/21.59 x 28.63 cm
<b>Diagonal Size</b>	14.1 in/35.81 cm
<b>Mounting</b>	Internal Panel Supports
<b>Number of Colors</b>	Up to 16.8M with dithering
<b>Contrast Ratio</b>	150:1
<b>Brightness</b>	130 cd/m <sup>2</sup>
<b>Pixel Resolution</b>	
Pitch	0.264 x 0.264 mm
Format	1024 x 768
Configuration	RGB stripe
<b>Backlight</b>	CCFT (Cold Cathode Fluorescent Tube)
<b>Character Display</b>	80 x 25
<b>Total Power Consumption (maximum)</b>	4.2W

### Hard Drives

<b>14 GB<sup>2</sup></b>	<b>Capacity</b>	14 GB <sup>2</sup>	<b>Seek Time</b> (typical reads, including settling)	
	<b>Height</b>	1 in/25.4 mm	Single Track	4 ms
	<b>Width</b>	2.5 in/63.5 mm	Average	12 ms (read)
	<b>Interface</b>	ATA	Full-Stroke	23 ms
	<b>Transfer Rate</b>		Rotational Speed	4900 rpm
	Synchronous (Maximum)	33.3 MB/s	<b>Physical Configuration</b>	
			Bytes/sector	512
			<b>Operating Temperature</b>	41° to 131°F/5° to 55°C
<b>8 GB<sup>2</sup></b>	<b>Capacity</b>	8 GB <sup>2</sup>	<b>Seek Time</b> (typical reads, including settling)	
	<b>Height</b>	1 in/25.4 mm	Single Track	4 ms
	<b>Width</b>	2.5 in/63.5 mm	Average	12 ms (read)
	<b>Interface</b>	ATA	Full-Stroke	23 ms
	<b>Transfer Rate</b>		Rotational Speed	4,902 rpm
	Synchronous (Maximum)	33.3 MB/s	<b>Physical Configuration</b>	
			Bytes/sector	512
			<b>Operating Temperature</b>	41° to 131°F/5° to 55°C

## Technical Specifications

### Diskette Drive

<b>Diskette Size</b>	3.5 in
<b>Light</b>	On system
<b>Height</b>	0.5 in/12.7 mm
<b>Bytes per Sector</b>	512
<b>Sectors per track</b>	
High density	18 (1.44 MB)/15 (1.2 MB)
Low density	9
<b>Tracks per side</b>	
High density	80 (1.44 MB)/80 (1.2 MB)
Low density	80
<b>Read/Write heads</b>	2
<b>Access Times</b>	
Track-to-track (high/low)	3 ms/6 ms
Average (high/low)	94 ms/174 ms
Settling time	15 ms
Latency average	100 ms

### Li-Ion Battery Pack

<b>Dimensions</b>	0.92 x 3.46 x 5.44 in/2.34 x 8.8 x 13.82 cm
<b>Weight</b>	0.89 lb/0.4 kg
<b>Energy</b>	
<b>266/300 MHz</b>	
Voltage	14.4 V
Amp-hour capacity	2.7 Ah
Watt-hour capacity	38.8Wh
<b>366/400 MHz</b>	
Voltage	14.4 V
Amp-hour capacity	3.2 Ah
Watt-hour capacity	46Wh (with calibration)
<b>Performance</b>	
<b>266/300 MHz</b>	
Single battery life	Over 2 hours <sup>9</sup>
<b>366/400 MHz</b>	
Single battery life	Over 3.2 hours <sup>10</sup>
<b>Temperature</b>	
Operating	50° to 104°F/10° to 40°C
Non-operating - recommended storage	-12° to 140°F/-30° to 60°C

## Technical Specifications

### DVD-ROM<sup>7</sup>

Center Hole Diameter	0.59 in/0.39 cm
Disc Diameter	12 cm, 8 cm
Disc Thickness	1.2 mm
Track Pitch	0.74 $\mu$ m
<b>Access Times</b> (typical reads, including settling)	
Random	< 150 ms
Full-Stroke	< 225 ms
<b>Audio Output Level</b>	
Line-Out	0.7 Vrms (typical)
<b>Cache Buffer</b>	128 Kb/s (minimum)
<b>Data Transfer Rates</b>	
Sustained 1X	150 Kb/s
Sustained DVD	2,760 Kb/s
Normal PIO Mode 4 (single burst)	16.6 Mb/s
<b>Start-up Time</b>	< 15 sec (typical)
<b>Stop Time</b>	< 6 sec

### 24X Max<sup>13</sup> CD-ROM Drive

<b>Applicable Disc</b>	CD-ROM (Mode 1, 2 and 3), CD-XA ready (Mode 2, Form 1 and 2), CD-I ready (Mode 2, Form 1 and 2), CD-R (read only), CD Plus, Photo CD (Single and Multi-session), CD Extra, Video CD, CD-WO (fixed packets only) CD-Bridge
Center Hole Diameter	0.59 in/.39 cm
Disc Diameter	12 cm, 8 cm
Disc Thickness	1.2 mm
Track Pitch	1.6 $\mu$ m
<b>Access Times</b> (typical reads, including settling)	
Random	< 150 ms
Full-Stroke	< 300 ms
<b>Audio Output Level</b>	
Line-Out	0.7 Vrms
<b>Cache Buffer</b>	128 KB
<b>Data Transfer Rates</b>	
Sustained	150 KB/s (sustained 1X)
Variable	1500 to 3600 KB/s (10X to 24X)
<b>Start-up Time</b>	< 8 sec
<b>Stop Time</b>	< 4 sec

## Technical Specifications

- <sup>1</sup> Designed only to allow faster downloads from 56K V.90 compliant sources. Maximum achievable download transmission rates currently do not reach 56 KB/s, and will vary with line conditions. Modem only supports Windows 9.x and Windows NT Workstation 4.0.
- <sup>2</sup> For Hard Drives, GB = Billion Bytes.
- <sup>3</sup> Certain restrictions and exclusions apply. Service and support programs vary by geographic regions. Consult the Compaq Customer Support Center for details. In Canada consult the Product Information Center at 1-800-567-1616 for details.
- <sup>4</sup> Pick up and delivery service is available in 48 contiguous US States and Canada. Eligibility for priority pick-up (second business day return) is limited to certain geographic locations. Carry-in services available outside the US and Canada.
- <sup>5</sup> Designed only to allow faster downloads from K56flex compliant sources. Maximum achievable download transmission rates currently do not reach 56 KB/s, and will vary with line conditions. Modem only supports Microsoft Windows 9.x and Microsoft Windows NT 4.0.
- <sup>6</sup> Full support in Windows 9.x.
- <sup>7</sup> DVD Express software is available through the Business Reply card that ships standard with the portable or optional DVD-ROM Drive. DVD Express allows video playback of DVD movies, etc, except under Windows NT Workstation 4.0. The DVD-ROM Drive has the capacity to store up to seven times the capacity of a CD-ROM Drive.
- <sup>8</sup> IrDA 4 MB compliant. IR performance will vary depending on performance of IR peripherals and applications used.
- <sup>9</sup> Actual results may vary with individual usage. When tested in standard configuration, using the Ziff-Davis BatteryMark Test v 2.0, the battery life of the Armada 7800 will range up to 2.2 hours. Standard configuration at time of announcement (4/2/98) is considered to be one battery, a 1024 x 768 (256 colors) 13.3" panel set at 50 percent brightness, 64-MB RAM and no drives other than the hard drive active.
- <sup>10</sup> Actual results may vary with individual usage. When tested in standard configuration, using the Ziff-Davis BatteryMark Test v 2.0, the battery life of the Armada 7800 will range up to 3.3 hours. Standard configuration at time of announcement (1/25/99) is considered to be one battery, a 1024 x 768 (256 colors) 14.1" panel set at 50 percent brightness, 64-MB RAM and no drives other than the hard drive active.
- <sup>11</sup> AssetControl monitor. AssetControl features are accessible with Compaq desktops featuring Intelligent Manageability.
- <sup>12</sup> May not be compatible with the ArmadaStation Monitor Support Stand, the Convenience Base I, or the Convenience Base II due to weight limitations.
- <sup>13</sup> Data transfer rates will vary from 150 Kb/s to 3600 Kb/s.