

OVERVIEW

Compaq Armada 7700

BENEFITS AT A GLANCE

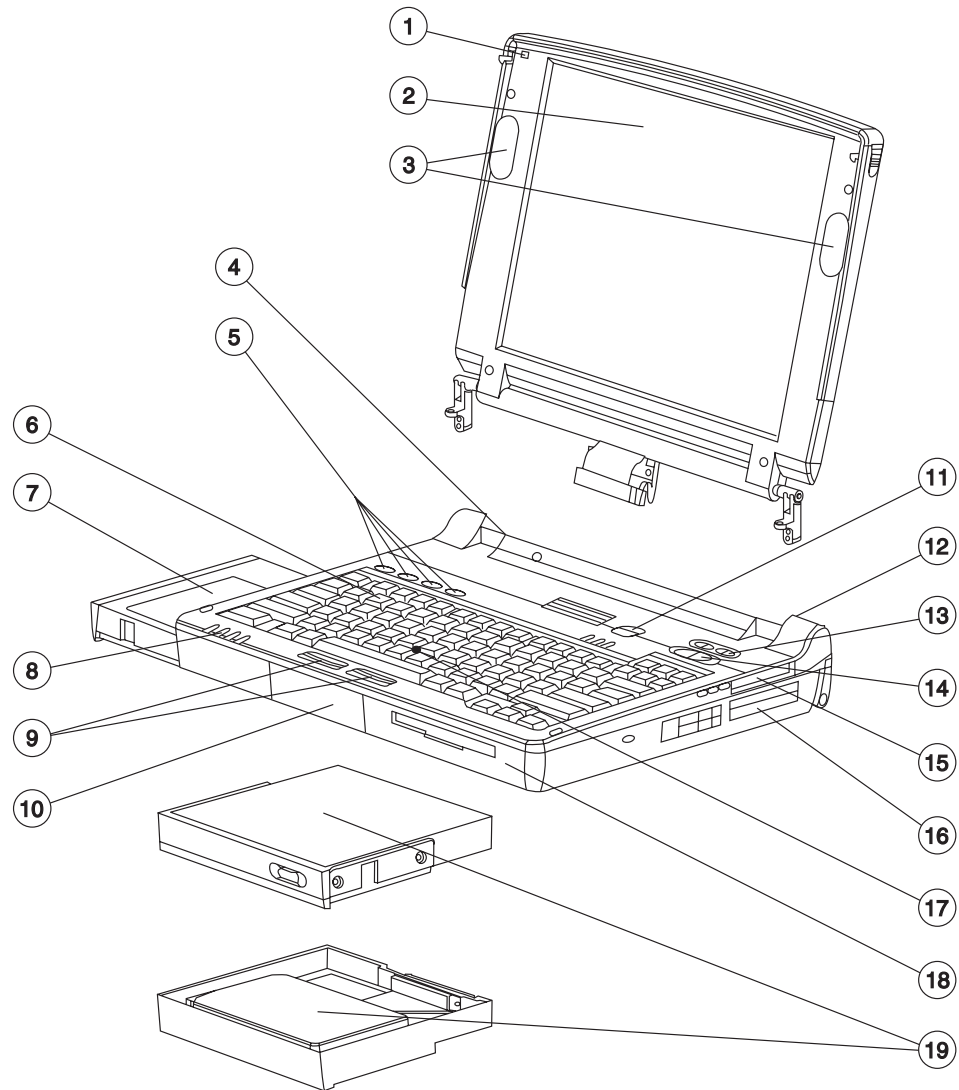
- Powerful 150-, 166- or 233-MHz Intel Pentium® processors with MMX technology and 256- or 512-KB level two cache (64-bit architecture)
- Large 12.1-inch TFT displays with either 800 x 600 or 1024 x 768 resolution
- Simultaneous display support in any resolution
- 64-bit local bus graphics
- Integrated AC Adapter
- 1.6-, 2.1- or 3.0-GB removable SMART hard drives; notebook supports up to 10 GB of storage using optional 5-GB hard drives
- 16 or 32 MB standard EDO DRAM, expandable up to 144 MB (two slots)
- Integrated 33.6 Kb/s data/14.4 Kb/s fax modem with telephony and DSVD
- MultiBay design allows user customization with CD-ROM, second hard drive or battery, diskette drive or weight saver
- ArmadaStation expansion base with PCI/ISA slots and half-height modular bays
- Intelligent Manageability lowers cost of ownership
- Multimedia functionality with Compaq PremierSound, integrated 16-bit stereo, dual speakers, 8X or 20X MAX CD-ROM Drive¹ (20X standard on 7770DMT), software MPEG1 and hardware WaveTable audio
- Li-Ion Battery Pack provides up to three hours battery life²
- Protected by CompaqCare including a three-year, worldwide Limited Warranty³

¹ Data transfer rates vary from 150 KB/s to 3.0 KB/s.

² When tested in standard configuration using the Ziff-Davis BatteryMark test version 1.0, the battery life of the Armada 7750MT will range from 1 hour and 30 minutes to 2 hours and 30 minutes of the 7730MT and 7710MT will range from 1 hour and 30 minutes to 3 hours and 00 minutes and the 7770DMT will range from 1 hour and 45 minutes to 3 hours, depending on individual usage.

³ Certain restrictions and exclusions apply. Consult the Compaq Customer Support Center for details.

⁴ Full support in Windows 95.



1. Microphone
 2. 12.1-inch Color TFT Display
 3. Stereo Speakers
 4. Integrated AC Adapter (on back)
 5. Four User-programmable Keys
 6. Keyboard with Dedicated Home, End, Page-up and Page-down Keys and Inverted "T" Cursor Keys
 7. Li-Ion Battery Pack
 8. Suspend Power/Battery/Hard Drive and MultiBay Status LEDs
 9. Pointing Device Buttons
 10. Removable 1.6-, 2.1- or 3.0-GB SMART Hard Drive
 11. AC/Suspend Power
 12. Integrated 33.6 Kb/s Data/14.4 Fax Modem
 13. Volume Up/Down Switch, Mute
 14. Power Switch
 15. 25-pin International DAA/Cellular Phone Connector
 16. Two Type II/One Type III PC Card Slot(s); CardBus-capable⁴
 17. EasyPoint III Pointing Device
 18. MultiBay (Floppy Drive installed)
 19. MultiBay Device (CD-ROM Drive and additional hard drive shown; batteries or diskette also available)
- Two Memory Expansion Slots (on bottom)

QUICKSPECS

Compaq Armada 7700

MODELS

Armada 7710MT
220702-002

Armada 7730MT
277706-003

Armada 7750MT
220806-003

Armada 7770DMT
291920-001

The ultimate notebook designed with mobile convenience and exceptional desktop expandability.

STANDARD FEATURES

Processor

Armada 7710MT: 150-MHz Intel Pentium® with MMX technology with 256 KB level two write-back cache

Armada 7730MT and 7750MT: 166-MHz Intel Pentium with MMX technology with 256 KB level two write-back cache

Armada 7770DMT: 233-MHz Intel Pentium with MMX technology and 512 KB level two write-back cache

Architecture

64-bit CPU, cache and memory bus; 32-bit PCI bus; 64-bit local graphics bus

Display/Graphics

Armada 7710MT, 7730MT and 7770DMT: 12.1-inch color TFT with 800 x 600 resolution (up to 16 million colors)

Armada 7750MT: 12.1-inch color TFT with 1024 x 768 resolution (up to 64,000 colors)

All models support simultaneous display in any resolution and use 64-bit local bus graphics with 2 MB EDO DRAM video memory.

Memory

Armada 7710MT: 16 MB of RAM, expandable to 144 MB (two slots open)

Armada 7730MT, 7750MT and 7770DMT: 32 MB of RAM, expandable to 144 MB (one slot open, one slot occupied)

All models have two memory expansion slots for greater expansion flexibility

Modular Design

MultiBay design allows for user-customization with a diskette drive (included standard), second battery or hard drive, CD-ROM drive (standard on Armada 7770DMT), or a weight saving device (included). For greater modularity, MultiBay devices are interchangeable between notebook and ArmadaStation expansion base. All LTE Elite and LTE 5000 hard drives are also supported in the MultiBay with the Armada 7000 Hard Drive Adapter (only cable select drives are bootable).

Hard Drives

Armada 7710MT: 1.6-GB Removable SMART Hard Drive

Armada 7730MT and 7750MT: 2.1-GB Removable SMART Hard Drive

Armada 7770DMT: 3-GB Removable SMART Hard Drive

Optional 3- and 5-GB Removable SMART Hard Drives

CD-ROM Drive

Armada 7770DMT: 20X MAX CD-ROM Drive¹ standard. Other models support optional 8X or 20X MAX CD-ROM Drive¹

Storage

Notebook: Up to 10 GB

Notebook and Expansion Base: Up to 20 GB

Communications

Integrated 33.6 Kb/s data/14.4 Kb/s fax telephony² modem with DSVD, full-duplex speakerphone capabilities, digital answering machine and direct cellular support; Just Connect Software (Windows 95) or TRIO Communications Software (Windows NT 4.0) included for increased ease of use in modem communications; protection from power surges and digital phone lines

PC Card Slots

Two Type II/One Type III PC Card Slot(s) which support both 32-bit CardBus¹ and 16-bit PC Cards; Zoomed Video support in bottom slot only; telephony support in top slot only

Infrared Communication Port

4 Mb/s³ infrared communication port for wireless communication with other infrared devices

AC Power

Integrated AC Adapter makes transportation less bulky—for AC power, connect the power cord to the notebook and plug it in (power cord included)

Battery

Li-Ion Battery Pack provides up to three hours battery life⁴; a second battery can be supported in the MultiBay for increased battery life; Battery QuickCheck button on battery pack provides clear visual indication of charge status

Multimedia

Compaq PremierSound for enhanced stereo audio including integrated 16-bit Sound Blaster Pro compatible stereo audio, integrated stereo speakers and microphone, software volume control, stereo line in, headphone out, microphone in jacks, optional 8X or 20X MAX CD-ROM Drive¹, software MPEG1 and hardware Wave Table audio for more realistic sound

Integrated Pointing Device

Keyboard-integrated, textured, EasyPoint III

STANDARD FEATURES (cont'd)

Keyboard

101-key compatible keyboard with isolated, inverted-T cursor control keys and right control key; four user-programmable keys; special feature hot-keys for instant access to power conservation QuickLock/QuickBlank, battery charge status, brightness, mute and toggle between internal, external, or simultaneous displays

Power Conservation

Hibernation, Instant-On via Suspend; pop-ups with three presets and one custom level of power conservation

Dimensions (HxWxD)

2.0 x 12.6 x 9.5 in/5.08 x 32 x 24.2 cm

Weight

Without Power Cord

Armada 7710MT and 7730MT: 7.9 lb/3.59 kg

Armada 7750MT: 7.8 lb/3.54 kg

Armada 7770DMT: 8.1 lb/3.67 kg

With Power Cord

Armada 7710MT and 7730MT: 8.2 lb/3.72 kg

Armada 7750MT: 8.1 lb/3.67 kg

Armada 7770DMT: 8.47 lb/3.84 kg

Software

Armada 7770DMT: Single install of Windows 95, Compaq Intelligent Manageability, Microsoft Internet Explorer, Netscape, Compuserve and AOL, JustConnect, Microsoft NetMeeting, Microsoft PC Card Manager and PointCast; support for Windows NT 4.0 available

All other models: Dual install with choice of Microsoft Windows 95 or Microsoft Windows NT Workstation 4.0:

Windows 95 includes: Compaq Intelligent Manageability, Microsoft Internet Explorer, Netscape, Compuserve and AOL, JustConnect, Microsoft NetMeeting, Microsoft PC Card Manager and PointCast

Windows NT Workstation 4.0 includes: Compaq Intelligent Manageability, Microsoft Internet Explorer and TRIO Communications

Interfaces

Infrared (IrDA-2.0 compliant), enhanced parallel, serial, external monitor, keyboard/pointing device (also supports optional "Y" cable for dual external mouse and keyboard), PC Card, microphone in, headphone out, stereo line-in

Compaq Intelligent Manageability Software

Lowers cost of ownership by providing enhanced security, asset management and fault prediction

Security Features

Cable lock support; power-on and set-up passwords; QuickLock/QuickBlank; ability to disable serial port, parallel port, PC Card slots, diskette drive,

Security Features

diskette drive boot sequence, infrared port; MultiBay and hard drive security screw, memory door security screw (tool included)

Carrying Case

Deluxe portfolio case complete with integrated handle and pocket

Service and Support

CompaqCare provides a range of services, including a three-year, Worldwide Limited Warranty⁵, pick-up or carry-in; upgrade to on-site warranty available; toll-free 7x24 hardware technical phone support

OPTIONS

Memory

16-MB EDO Memory	272109-001
32-MB EDO Memory	220580-001
64-MB EDO Memory	220685-001

Hard Drives/CD-ROM Drives

Armada 7700 3-GB SMART Hard Drive ⁶	296158-B21
Armada 7700 5-GB SMART Hard Drive ⁶	297189-B21
Armada 7700 8X CD-ROM Drive	220462-001
Armada 7700 20X MAX CD-ROM Drive ¹	297707-B21
Armada 7000 Hard Drive MultiBay Adapter (for second hard drive)	267868-001

PC Cards/Communications

Netelligent 56K PC Card Modem ⁷	295050-001
SpeedPaq Cellular PC Card	221202-001
10/100 TX PC Card UTP Controller	292812-B21
10 T PC Card UTP Controller	292806-B21
10 2 PC Card Coax Controller	292807-B21
10/100 TX PC Card UTP Controller Upgrade	292813-B21
Intl Modem Adapter for Armada 7700	248075-001
Intl DAA Cables (country specific)	234407-xx2

For additional compatible PC Cards, view the Compaq PC Card Solutions List on the Compaq Web site at <http://www.compaq.com/productinfo/notebooks>

OPTIONS (cont'd)

Expansion/Convenience Bases

ArmadaStation Expansion Base	220680-001
ArmadaStation Tower Stand	267863-001
Armada 7000 Half-Height MultiBay Adapter	220681-001
LTE 5000 Half-Height MultiBay Adapter	267864-001
Armada MiniStation E Convenience Base	272187-001
Monitor Support Cover for MiniStation E Convenience Base	272341-001

Power

Armada 7700 Li-Ion Battery Pack	220463-001
Armada 7000 Battery Charger Automobile Adapter	220461-001 217934-002

Monitors

V50 Color	264150-001
V70 Color	255606-001
V90 Color	305609-001
P50 Color	264200-001
P70 Color	255650-001
P110 Color	284956-001
TFT500 Flat Panel	285006-001

PC companion

C120	266500-001
C120+	266502-001
C140	266550-001

Other

Compaq Armada Headset	220460-001
TR4 4 GB IDE Tape Drive ⁸	186703-001
Compaq Multimedia Sound System ⁹	294106-001
USB Card Bus PC Card ¹⁰	296501-B21

Carrying Cases

A full line of Compaq brand carrying cases are available through Targus/Fabrique. For information please contact Targus/Fabrique at 801-572-8908 or 714-523-5429.

- ¹ Data transfer rates will vary from 150 KB/s to 3.0 MB/s; available as an option in early 4Q 97 .
- ² Full support in Windows 95.
- ³ IrDA 4MB compliant. IR performance will vary depending on performance of IR peripherals and applications used.
- ⁴ When tested in standard configuration using the Ziff-Davis BatteryMark test version 1.0, the battery life of the Armada 7750MT will range from 1 hour and 30 minutes to 2 hours and 30 minutes of the 7730MT and 7710MT will range from 1 hour and 30 minutes to 3 hours and 00 minutes and the 7770DMT will range from 1 hour and 45 minutes to 3 hours, depending on individual usage.
- ⁵ Certain restrictions and exclusions apply. Consult the Compaq Customer Support Center at 1-800-OK-COMPAQ for details.
- ⁶ Includes Armada 7000 Hard Drive Adapter (part number 267868-001).
- ⁷ Transmission rates will vary with line conditions.
- ⁸ With ArmadaStation only.
- ⁹ For use with P50, V70, P70, V90, P110 and TFT500 Flat Panel monitors.
- ¹⁰ Available November 1997.

FEATURES

Compaq Armada 7700

	Compaq Armada 7710MT	Compaq Armada 7730MT	Compaq Armada 7750MT	Compaq Armada 7770DMT
System Unit				
Microprocessor	Intel Pentium® 150-MHz with MMX technology	Intel Pentium 166-MHz with MMX technology	Intel Pentium 166-MHz with MMX technology	Intel Pentium 233-MHz with MMX technology
Secondary Cache	256 KB level two write-back	256 KB level two write-back	256 KB level two write-back	512 KB level two write-back
Architecture	64-bit CPU cache and memory bus; 64-bit local bus graphics	64-bit CPU cache and memory bus; 64-bit local bus graphics	64-bit CPU cache and memory bus; 64-bit local bus graphics	64-bit CPU cache and memory bus; 64-bit local bus graphics
RAM				
Standard	16 MB	32 MB	32 MB	32 MB
Maximum	144 MB	144 MB	144 MB	144 MB
Coprocessor	Integrated	Integrated	Integrated	Integrated
Advanced Power Management	Yes	Yes	Yes	Yes
AC Adapter	Integrated	Integrated	Integrated	Integrated
Display				
Type	12.1-inch color TFT	12.1-inch color TFT	12.1-inch color TFT	12.1-inch color TFT
Resolution	800 x 600 with up to 16 million colors	800 x 600 with up to 16 million colors	1024 x 768 with up to 64,000 colors	800 x 600 with up to 16 million colors
Extended Text	Yes	Yes	Yes	Yes
Graphics				
64-bit Local Graphics Bus	Yes	Yes	Yes	Yes
Simultaneous Display Support	Yes	Yes	Yes	Yes
1024 x 768 External	Yes	Yes	Yes	Yes
Storage				
1.44-MB Diskette Drive	Standard	Standard	Standard	Standard
Removable SMART Hard Drives				
Standard	1.6-GB	2.1-GB	2.1-GB	3-GB
Optional	3-GB, 5-GB	3-GB, 5-GB	3-GB, 5-GB	3-GB, 5-GB
8X CD-ROM Drive	Optional	Optional	Optional	Optional
20X MAX CD-ROM Drive ¹	Optional	Optional	Optional	Standard
Communications				
Integrated 33.6 Kb/s Modem	Standard	Standard	Standard	Standard
Interfaces				
PC Card Slots	Two Type II/One Type III	Two Type II/One Type III	Two Type II/One Type III	Two Type II/One Type III
Resume on Ring Support	Yes	Yes	Yes	Yes
Infrared Communication Port	1	1	1	1
Enhanced Parallel Port	1	1	1	1
Serial Port	1	1	1	1

	Compaq Armada 7710MT	Compaq Armada 7730MT	Compaq Armada 7750MT	Compaq Armada 7770DMT
--	----------------------	----------------------	----------------------	-----------------------

Interfaces (cont'd)

External Monitor	1	1	1	1
External Keyboard/Pointing Device	1	1	1	1
Expansion Base	1	1	1	1
RJ-11 Jack	1	1	1	1
Microphone In	1	1	1	1
Headphone Out	1	1	1	1
Stereo Line In	1	1	1	1
Support for Third-Party Y-Cables (for external mouse and keyboard)	Yes	Yes	Yes	Yes

Monitors

V50 Color	Optional	Optional	Optional	Optional
V70 Color	Optional	Optional	Optional	Optional
V90 Color	Optional	Optional	Optional	Optional
P50 Color	Optional	Optional	Optional	Optional
P70 Color	Optional	Optional	Optional	Optional
P110 Color	Optional	Optional	Optional	Optional
TFT500 Flat Panel Monitor	Optional	Optional	Optional	Optional

Keyboard

101-key compatible keyboard with Inverted "T" Cursor Keys, Hotkeys and Right Ctrl Key	Standard	Standard	Standard	Standard
External Enhanced III Keyboard	Optional	Optional	Optional	Optional

Supported System Software

Software Included	Dual install with choice of Microsoft Windows 95 or Microsoft Windows NT Workstation 4.0: Windows 95 package includes: Compaq Intelligent Manageability, Microsoft Internet Explorer, Netscape, CompuServe and AOL, JustConnect, Microsoft NetMeeting, Microsoft PC Card Manager and PointCast Windows NT Workstation 4.0 package includes: Compaq Intelligent Manageability, Microsoft Internet Explorer and TRIO Communications	Dual install with choice of Microsoft Windows 95 or Microsoft Windows NT Workstation 4.0: Windows 95 package includes: Compaq Intelligent Manageability, Microsoft Internet Explorer, Netscape, CompuServe and AOL, JustConnect, Microsoft NetMeeting, Microsoft PC Card Manager and PointCast Windows NT Workstation 4.0 package includes: Compaq Intelligent Manageability, Microsoft Internet Explorer and TRIO Communications	Dual install with choice of Microsoft Windows 95 or Microsoft Windows NT Workstation 4.0: Windows 95 package includes: Compaq Intelligent Manageability, Microsoft Internet Explorer, Netscape, CompuServe and AOL, JustConnect, Microsoft NetMeeting, Microsoft PC Card Manager and PointCast Windows NT Workstation 4.0 package includes: Compaq Intelligent Manageability, Microsoft Internet Explorer and TRIO Communications	Windows 95, Compaq Intelligent Manageability, Microsoft Internet Explorer, Netscape, CompuServe and AOL, JustConnect, Microsoft NetMeeting, Microsoft PC Card Manager and PointCast; support for Windows NT 4.0 available
-------------------	---	---	---	---

Physical Specifications

Dimensions (HxWxD)	2.0 x 12.6 x 9.5 in/ 5.08 x 32 x 24.2 cm	2.0 x 12.6 x 9.5 in/ 5.08 x 32 x 24.2 cm	2.0 x 12.6 x 9.5 in/ 5.08 x 32 x 24.2 cm	2.0 x 12.6 x 9.5 in/ 5.08 x 32 x 24.2 cm
Weight				
Without Power Cord	7.9 lb/3.59 kg	7.9 lb/3.59 kg	7.8 lb/3.54 kg	8.1 lb/3.67 kg
With Power Cord	8.2 lb/3.72 kg	8.2 lb/3.72 kg	8.1 lb/3.67 kg	8.47 lb/3.84 kg

¹Data transfer rates will vary 150 KB/s to 3.0 MB/s.

MEMORY

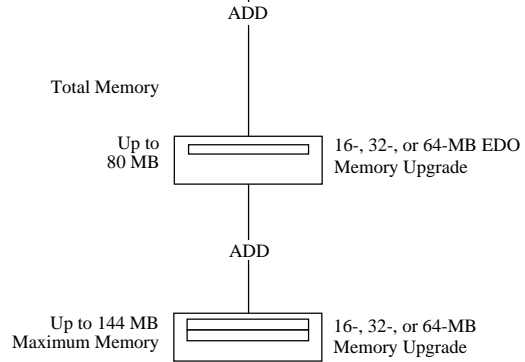
Compaq Armada 7700

Compaq Armada 7710MT

STANDARD
MEMORY

16 MB System Board

OPTIONAL
MEMORY



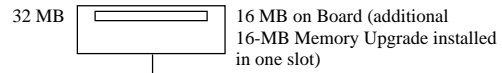
Notes:

The Armada 7710MT has two memory slots available. The memory options supported on the Armada 7710MT are as follows:

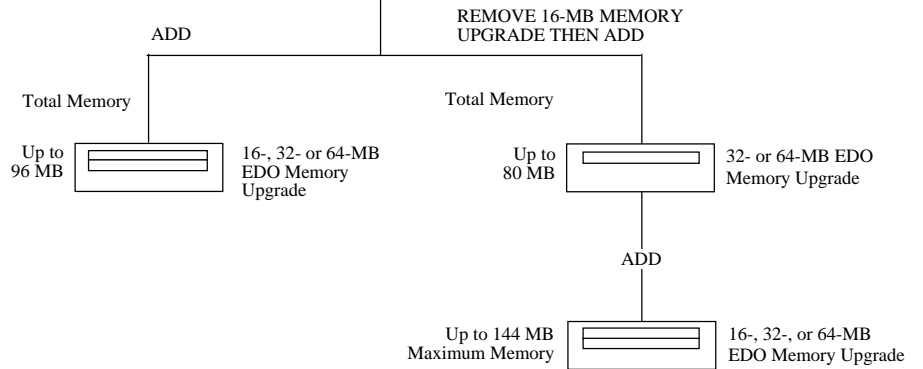
- 16-MB EDO Memory Upgrade 272109-001
- 32-MB EDO Memory Upgrade 220580-001
- 64-MB EDO Memory Upgrade 220685-001

Compaq Armada 7730MT, 7750MT and 7770DMT

STANDARD MEMORY



OPTIONAL MEMORY



Notes:

Because one memory slot is occupied on these products, the 16-MB EDO Memory upgrade (which ships standard on the Armada 7730MT, 7750MT and 7770DMT) must be removed to reach the maximum memory of 144 MB. The memory options supported on the Armada 7700 family are as follows:

- 16-MB EDO Memory Upgrade 272109-001
- 32-MB EDO Memory Upgrade 220580-001
- 64-MB EDO Memory Upgrade 220685-001

TECHSPECS

Compaq Armada 7700

System Unit

Dimensions (HxWxD)	2.0 x 12.6 x 9.5 in/5.08 x 32 x 24.2 cm
Weight	
Without Power Cord	
Armada 7710MT and 7730MT	7.9 lb/3.59 kg
Armada 7750MT	7.8 lb/3.54 kg
Armada 7770DMT	8.1 lb/3.67 kg
With Power Cord	
Armada 7710MT and 7730MT	8.2 lb/3.72 kg
Armada 7750MT	8.1 lb/3.67 kg
Armada 7770DMT	8.47 lb/3.84 kg
Stand-Alone Power Requirements	
Average Operating Power	15 W
Peak Operating Power	25 W
Power Supply	
Rated Input Voltage	100-120/220-240 VAC
Rated Input Current	1.2/0.6A
Rated Frequency	50-60 Hz
Temperature	
Operating	50 to 104° F/10 to 40° C
Nonoperating	-4 to 140° F/-20 to 60° C
Relative Humidity (noncondensing)	
Operating	10 to 90%
Nonoperating	5 to 95%
Shock	
Operating	10 G, 11 ms, half sine
Non operating	240 G, 2 ms, half sine
Vibration	
Operating	0.5 G
Nonoperating	1.5 G
Maximum Altitude (unpressurized)	
Operating	10,000 ft/3.05 km
Nonoperating	30,000 ft/9.14 km

12.1-Inch Color TFT 1024 x 768 (XGA) Display

Dimensions (HxW)	7.3 x 9.7 in/18.43 x 24.58 cm
Diagonal Size	12.1 in/30.72 cm
Mounting	Internal
Number of Colors	Up to 64 K
Contrast Ratio	100:1
Brightness	85 CD/M ² @ 6.0 mA
Pixel Resolution	
Pitch	0.240 x 0.240 mm
Format	1024 x 768
Configuration	RGB stripe
Backlight	Edge Lit
Character Display	80 x 25
Total Power Consumption (maximum)	3.8 W

12.1-Inch Color TFT
800 x 600 (SVGA) Display

Dimensions (HxW)	7.3 x 9.7 in/18.45 x 24.60 cm
Diagonal Size	12.1 in/30.75 cm
Mounting	Internal
Number of Colors	Up to 16M
Contrast Ratio	100:1
Brightness	95 CD/M ² @ 5.75 mA
Pixel Resolution	
Pitch	0.3075 x 0.3075 mm
Format	800 x 600
Configuration	RGB Stripe
Backlight	Edge Lit
Character Display	80 x 25
Total Power Consumption (maximum)	3.8 W

Hard Drives¹

	1.6-GB	2.1-GB	3-GB	5-GB
Capacity Per Drive	1631.9 MB	2167.6 MB	3080.0 MB	5132.1 MB
SMART, drive fault prediction capable	Yes	Yes	Yes	Yes
Drive Height	19 mm	19 mm	19 mm	19 mm
Transfer Rate				
Media	48.7 to 74.5 Mb/s	48.7 to 74.5 Mb/s	48.7 to 74.5 Mb/s	60.2 to 98.5 Mb/s
Interface	16.6 MB/s	16.6 MB/s	16.6 MB/s	16.6 MB/s
Sector Interleave	1:1	1:1	1:1	1:1
Seek Times (typical, including settling)				
Track-to-track	4 ms	4 ms	4 ms	4 ms
Average	12 ms	12 ms	12 ms	12 ms
Full Stroke	23 ms	23 ms	23 ms	23 ms
Disk Rotational Speed	4900 rpm	4900 rpm	4900 rpm	4902 rpm
Physical Configuration				
Cylinders	4927	4927	5119	6975
Heads	5	6	8	8
Sectors per track	178 to 112	178 to 112	175 to 110	225 to 137
Bytes per sector	512	512	512	512
Logical Configuration				
Cylinders	3215	4200	5968	10592
Heads	16	16	16	15
Sectors per track	63	63	63	63
Bytes per sector	512	512	512	512
Buffer Size	96 K	96 K	96 K	512 K

Diskette Drive

Diskette Size	3.5-inch
Light	On System
Drive Height	.5 in /12.7 mm
Bytes per Sector	512
Sectors per Track	
High density	18 (1.44-MB)/15 (1.2-MB)
Low density	9
Tracks per side	
High density	80 (1.44-MB)/80 (1.2-MB)
Low density	80
Read/Write heads	2
Access Times	
Track-to-track (high/low)	3 ms/6 ms
Average (high/low)	94 ms/173 ms
Settling time	15 ms
Latency average	100 ms

8X CD-ROM Drive

Applicable Disc	CD-ROM Mode 1, Mode 2 CD-Digital Audio CD-XA Mode 2 (Form 1, Form 2) Photo CD (single/multisession)
Center Hole Diameter	.59 in/1.5 cm
Disc Diameter	4.72 in, 3.15 in/12 cm, 8 cm
Rotational Speed	2100 to 4200 rpm, 8X speed
Disc Thickness	1.2 mm
Track Pitch	1.6 μ m
Access Times (typical including settling)	
Random	less than 275 ms
Full Stroke	less than 600 ms
Audio Output Level	
Line Out	.7 Vrms
Cache Buffer	256 K
Data Transfer Rates (typical, including settling)	
Sustained	1.2 MB/s
Startup Time	less than 10 seconds (typical)

20X MAX CD-ROM Drive³

Applicable Disc	CD-DA, CD-ROM Mode 1, Mode 2 CD-XA (Mode 2, Form 1, Form 2) CD-I (Mode 2, Form 1, Form 2) CD-I Ready, CD Extra, Video CD, CD-Bridge PhotoCD (Single and Multisession) CD-WD (Fixed packets only)
Center Hole Diameter	.59 in/1.5 cm
Disc Diameter	12 cm, 8 cm
Rotational Speed	2100 to 4500 rpm

**20X MAX CD-ROM
Drive (cont'd)**

Track Pitch	1.6 μ m
Access Times (typical including settling)	
Random	Less than 170 ms
Full Stroke	Less than 600 ms
Audio Output Level	
Line Out	.7 Vrms
Cache Buffer	128 KB
Data Transfer Rates (typical, including settling)	
Sustained (1X)	150 KB/s
Sustained (20X)	3.0 MB/s
Startup Time	Less than 10 seconds

Li-Ion Battery Pack

Dimensions (HxWxD)	.92 x 3.46 x 5.44 in/2.34 x 8.80 x 13.82 cm
Weight	.89 lb/.40 kg
Energy	
Voltage	14.4 V
Capacity	2.7 Ah
Battery Life	Up to 3 hours ²
Temperature	
Operating	50° to 104° F/10° to 40° C
Recommended Storage	32° to 113° F/0° to 45° C

ArmadaStation (optional)

Dimensions (HxWxD)	
Without Monitor Support Cover	5 x 17.3 x 16 in/12.7 x 46.5 x 40.6 cm
With Monitor Support Cover	5.6 x 17.3 x 16 in/14.2 x 46.5 x 40.6 cm
Weight	
ArmadaStation	22.7 lb/10.3 kg
Monitor Support Cover	3.3 lb/1.5 kg
Power Supply (Input)	
Operating Voltage	90-260 VAC
Operating Current	5.0 Amp Maximum
Rated Voltage	100-120 to 220-240 VAC
Rated Current	2.5-5.0 Amp
Line Frequency	50-60 Hz
Temperature	
Operating	5 to 95° F/10 to 35° C
Nonoperating	-22 to 140° F/-30 to 60° C
Relative Humidity	
Operating	20 to 80%
Nonoperating	5 to 90%
Maximum Altitude	
Operating	10,000 ft/3048 m
Nonoperating	30,000 ft/9144 m
Shock	
Operating	5 G, 11 ms, half sine
Nonoperating	140 G, 2 ms, half sine

ArmadaStation (optional)
(cont'd)

Vibration	
Operating	.25 G, 10 to 500 Hz sine .25 octave/minute sweep
Nonoperating	.75 G, 10 to 500 Hz sine .5 octave/minute sweep
Monitor Support (maximum)	55 lb/25 kg

Armada MiniStation E
(optional)

Dimensions (HxWxD)	
Without Monitor Support Cover	5.0 x 14.75 x 15.37 in/12.7 x 37.47 x 39.05 cm
With Monitor Support Cover	5.6 x 14.75 x 15.37 in/14.2 x 37.47 x 39.05 cm
Weight	
Armada MiniStation E	7.67 lb/3.48 kg
Monitor Support Cover Option	3.3 lb/1.5 kg
Power Supply (Input)	
Operating Voltage	90-260 VAC
Operating Current	3.0 Amp Maximum
Rated Voltage	100-120 VAC to 220-240 VAC
Rated Current	1.5-3.0 Amps Maximum
Line Frequency	50-60 Hz
Temperature	
Operating	5 to 95° F/10 to 35° C
Nonoperating	-22 to 140° F/-30 to 60° C
Relative Humidity	
Operating	20 to 80%
Nonoperating	5 to 90%
Maximum Altitude	
Operating	10,000 ft/3048 m
Nonoperating	30,000 ft/9144 m
Shock	
Operating	5 G, 11 ms, half sine
Nonoperating	140 G, 2 ms, half sine
Vibration	
Operating	.25 G, 10 to 500 Hz sine .25 octave/minute sweep
Nonoperating	.75 G, 10 to 500 Hz sine .5 octave/minute sweep
Monitor Support (Maximum)	55 lb/25 kg

¹ Hard drive specifications may vary slightly depending on vendor.² When tested in standard configuration using the Ziff-Davis BatteryMark test version 1.0, the battery life of the Armada 7750MT will range from 1 hour and 30 minutes to 2 hours and 30 minutes of the 7730MT and 7710MT will range from 1 hour and 30 minutes to 3 hours and 00 minutes and the 7770DMT will range from 1 hour and 45 minutes to 3 hours, depending on individual usage.³ Data transfer rates will vary from 150 KB/s to 3.0 MB/s