



LaserWriter 12/640 PS





Overview

LaserWriter 12/640 PS





About This Overview

This overview briefly describes the servicing issues of the LaserWriter 12/640 PS, especially those that distinguish it from previous Apple laser printers.





General

The LaserWriter 12/640 PS is a 600 dpi, 12 ppm monochrome laser printer that is positioned as the workgroup laser printing solution for Mac OS and Windows users.

It features excellent print quality, cross platform support, and state-of-the-art paper handling options.

LaserWriter driver 8.4 releases concurrently with this printer.





LW 12/640 PS Options

Options

There are three options that are available for the Laser-Writer 12/640 PS:

- Duplexer unit
- Face-up catch tray
- 500-sheet feeder (accommodates either standard or envelope cassette)

Each of the options can be added independently of one another so there are several configurations that you might encounter. The animation “LW12/640 PS Options” shows how the options go together.





LW12/640 PS Paper Path

Paper Path

The printer has a basic S-shaped paper path and multi-purpose tray arrangement generally similar to the Laser-Writer 16/600 PS.

On the exit side of the fuser assembly, however, there is a brand new function: the paper deflector guide. This solenoid-actuated guide switches paper between one of two paths. The inside path is the face-down delivery path that continues straight up to the delivery rollers and output tray. The outside path serves three purposes.

- Paper feed into the optional duplexer.
- Paper delivery to the optional face-up tray.
- If no options are attached, the outside path will feed paper directly out the rear of the printer.

Note: The “LW 12/640 PS Paper Path” animation shows the sequence of a duplex print job.



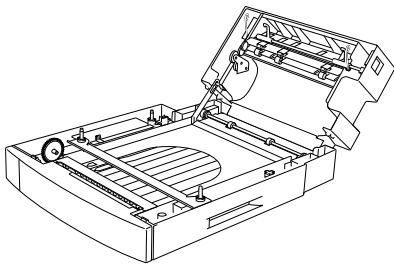


Duplexer

The most unique mechanical feature you will encounter is the optional duplexer unit. The term “duplex” denotes two-sided printing.

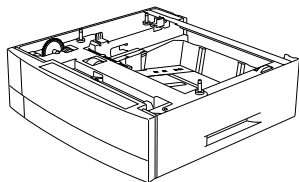
The duplexer is an L-shaped feeder that cradles the underside and rear of the printer. When duplex printing is selected through software, the paper deflector guide is actuated and the sheet of paper diverts into the duplexer. There the paper is flipped and circulated back to the cassette feed roller in preparation for its second imaging cycle.

The drive train in the horizontal leg of the duplexer receives drive directly through an idler gear in the pickup drive assembly in the printer. The feed roller at the entrance to the duplexer also receives drive from the printer, but the other feed rollers in the vertical leg of the duplexer are driven by the duplexer motor.





Sheet Feeder



An optional 500-sheet feeder is available. As with the LaserWriter 16/600 PS design, the sheet feeder fits squarely beneath the printer (or the duplexer, if present) to form a dual front-loading cassette arrangement. An envelope cassette is available for the sheet feeder only.

The feeder has a receptacle connector that mates with the printer and has its own circuit board. However, the feeder does not have its own motor. Instead it derives mechanical drive directly from the gear train above, either the pickup drive assembly in the printer or the intermediate gear train in the duplexer. There is a pickup roller and pickup solenoid in the sheet feeder.

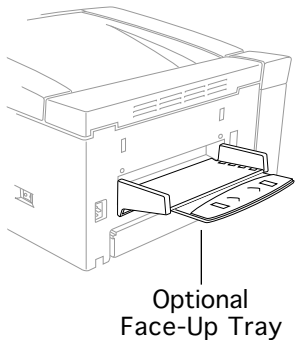




Face-Up Tray

The face-up tray is an option that attaches to the rear of the printer (or to the rear of the duplexer, if present).

This tray performs similarly to previous printers, except that output to this tray is selected through software, not by the setting of a lever. The presence of this tray is not sensed by the controller.





Duplex Scan Anomalies

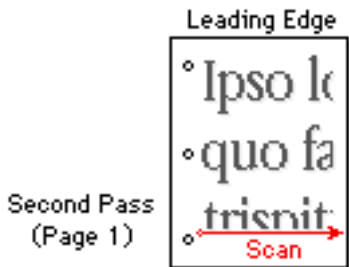
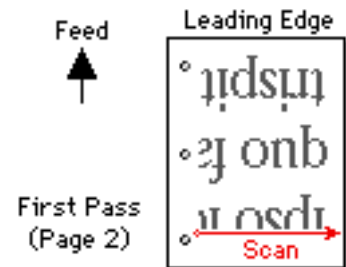
After side one prints during a duplex job, the paper parks itself onto a horizontal shelf beneath the cassette. The duplexer motor then reverses direction. The trailing edge of the paper becomes the leading edge, and the paper exits the shelf and continues the path toward side-two printing.

Order of Scanning

Duplex documents stack in the face-down delivery tray in correct book order (with odd-numbered pages facing down). To achieve this, page two is imaged during the first pass and page one during the second pass.

Long Edge Binding

The reversing action of the duplexer flips the paper over along its short axis. If you have chosen long edge binding in

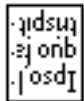
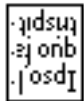
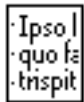


Long Edge Binding
Scan/Feed Directions





Feed

First Pass
(Page 2)Second Pass
(Page 4)Third Pass
(Page 1)Fourth Pass
(Page 3)Sequence of
Double-Page Batching

the software, the I/O controller flips the imaging data accordingly to counteract the reversal of the paper. The net effect is even-numbered pages scanned in reverse.

For example, page 2 of a portrait oriented job images right to left from the bottom up. (This anomaly does not occur with short edge binding). For this reason, be aware that some skew or image cutoff symptoms may appear to be 180 degrees off from normally scanned pages.

Double-Page Batching

If there is enough buffer memory space available, the controller will image a print job four pages (two sheets) at a time. For example, the imaging order of an eight-page document would be pages 2, 4, 1, and 3 (with sheets one and two then being delivered), followed by pages 6, 8, 5, and 7 (with sheets three and four delivered). This batching feature maximizes throughput speed.





Miscellaneous

Fuser Pressure Roller

The fuser pressure roller provides an opposing surface to the fuser heater roller, the same function as in previous laser printers. However in the LaserWriter 12/640 PS, this pressure roller is seated in the chassis and is not a part of the fuser assembly itself.

Power Supply Assembly

The power supply assembly is a large multifunctional circuit board located in the lower section of the engine. In addition to the DC power supply functions that are common in previous engines, this assembly also houses some sensors and switches, as well as the high-voltage power supply and various other functions.





Beam Detection

Laser beam detection occurs outside of the laser/scanner assembly, in the start-of-scan (SOS) sensor located in the mirror assembly.

Two Shutters

There are two laser shutters, one inside the laser/scanner assembly and one covering the mirror assembly. Both are actuated with the closure of the top cover.

Two "Exit" Sensors

Unlike previous printers, there are two paper sensors downstream of the fuser assembly. The first is the fuser exit sensor that monitors the exiting of paper from the fuser assembly. The second is the delivery sensor that monitors





paper after it passes the deflection guide in route to face-down delivery on top of the printer.

One Fan

There is only one fan in this printer.

Support for Heavy Paper

The LaserWriter 12/640 PS supports throughput of 50 lb. paper for simplex (single-sided) print jobs. You must print from the multipurpose tray and choose face-up delivery when using 50 lb paper.

RAM Upgrade

The LaserWriter 12/640 PS comes with 4 MB of RAM in the righthand of two SIMM slots. This amount does not allow for





duplex printing nor does it enable PhotoGrade. Upgrades are required if you want either of these additional features.

No SCSI

There is no SCSI support in the LaserWriter 12/640 PS.

Startup Page

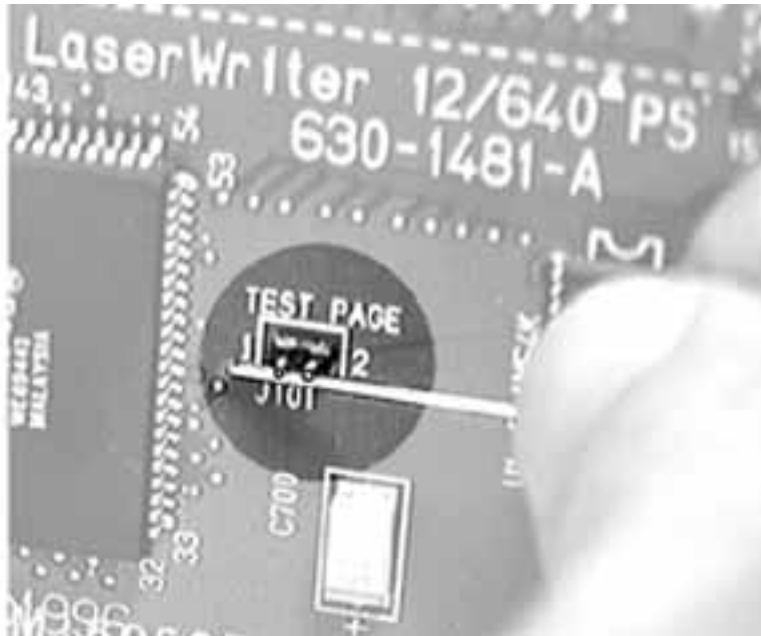
The startup page is a single-sided page with a layout similar to previous PostScript LaserWriter printers. The startup page does report the presence of a duplexer or sheet feeder but will not recognize the optional face-up tray.





Service Test Page

You may print a service test page by jumpering connector J101 on the I/O controller board. Consequently, unlike previous printers, the I/O controller board must be installed to run a service test page.





Top Cover Closure

The closing of the top cover initiates several more events than in previous printers. They are listed below and are described in detail in the “Principles of Operation” chapter.

- Actuation of cover interlock
- Opening of the laser shutter
- Opening of the mirror assembly shutter
- Latching of the top cover
- Pressing of the jam release plate
- Actuation of the toner cartridge latching mechanism
- Actuation of the fuser idler gear





Principles of Operation

LaserWriter 12/640 PS

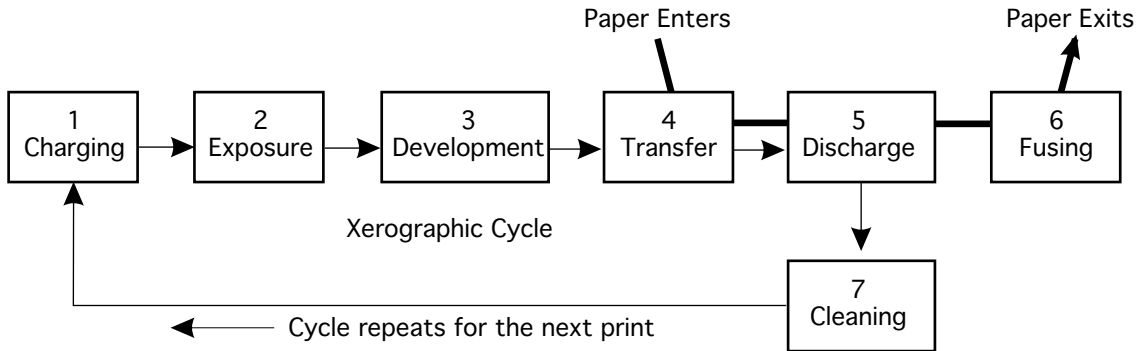




Print Process

Print Process Overview

The print process consists of the stages shown below, during which a toner image forms on the drum surface, transfers and then bonds to the paper. Each sheet of paper passes through steps 4 to 6. During printing, the drum surface repeatedly cycles through steps 1 to 5, as well as cleaning stage 7.



1 Charging

Places a uniform density of negative electric charge onto the drum surface.

2 Exposure

Scans the drum surface with a thin beam of laser light that switches on and off according to the video signal from the printer controller. This exposure forms an invisible electrostatic latent image on the drum surface.

3 Development

Attracts toner onto the electrostatic latent image on the drum surface, thus forming a visible toner image.

4 Transfer

Transfers the toner image from the drum surface to the paper.

5 Discharge

Enables the paper to come off the drum surface.

6 Fusing

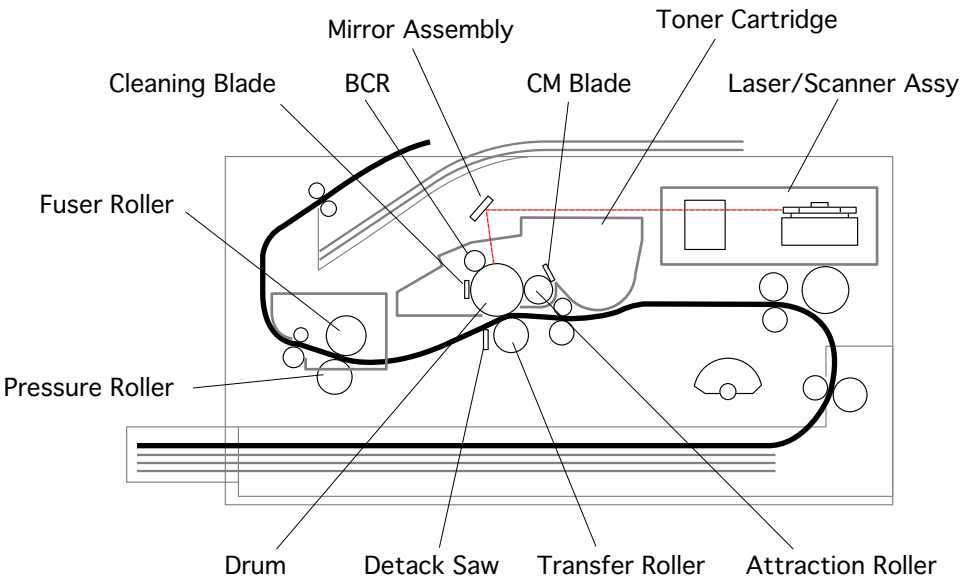
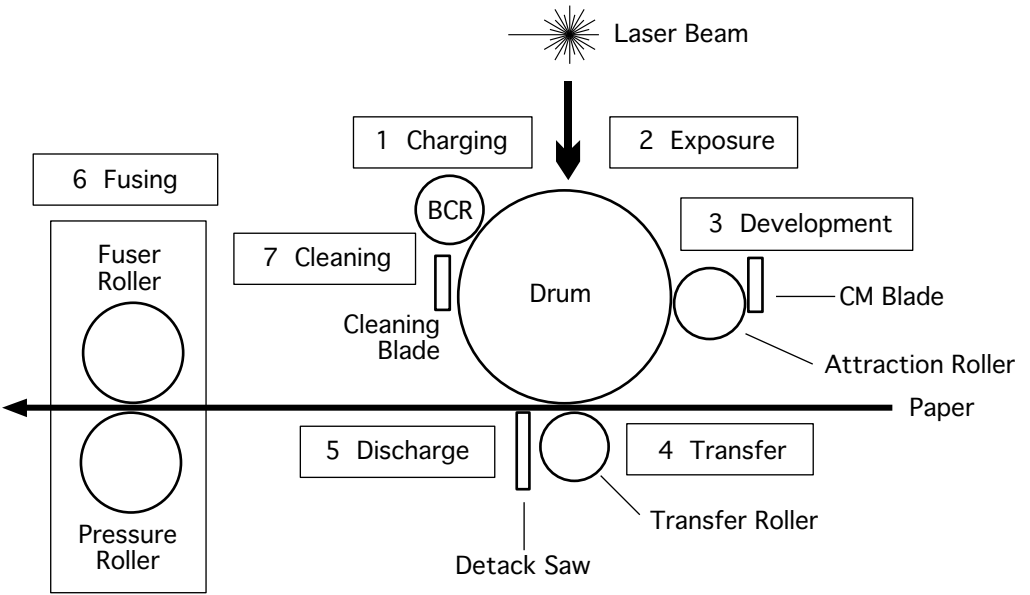
Fixes the toner image to the paper.

7 Cleaning

Cleans the drum surface of any residual toner.



Print Process Diagram and Paper Path





Print Process Description

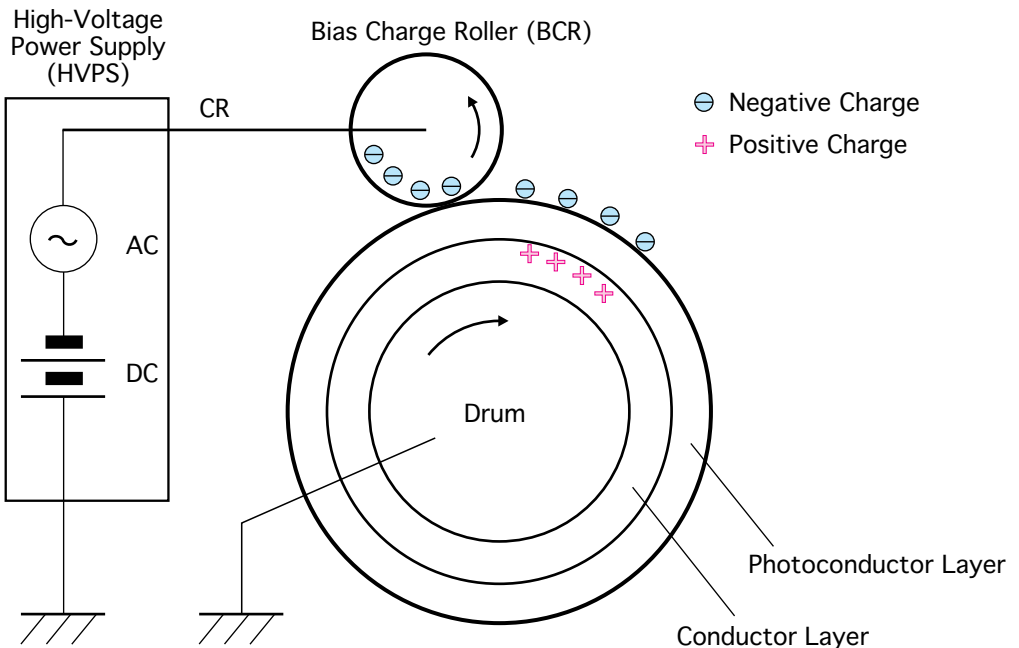
1 Charging

During this stage, the drum surface receives a uniform negative charge.

Note: The drum surface is made of a photoconductive material and the inner part of the drum is made of a conductive material. This negative charge is actually placed onto the outside surface of the photoconductor layer.

The charge is imparted by the bias charge roller (BCR) within the toner cartridge. The BCR is a conductive roller in contact with the drum surface and is supplied with a discharge voltage by the high-voltage power supply (HVPS). The discharge occurs through the small gaps between the BCR and the drum. The discharge voltage is an AC voltage with a negative DC voltage superposed. The negative DC voltage is about -330 V. The AC voltage varies within the range of about 1.6 to 2.0 kVp-p with the discharge current since the AC current is regulated to be constant.

Note: Before this stage, the drum surface will have been given a uniform negative charge relative to the inner conductor of the drum (see “Cleaning”).





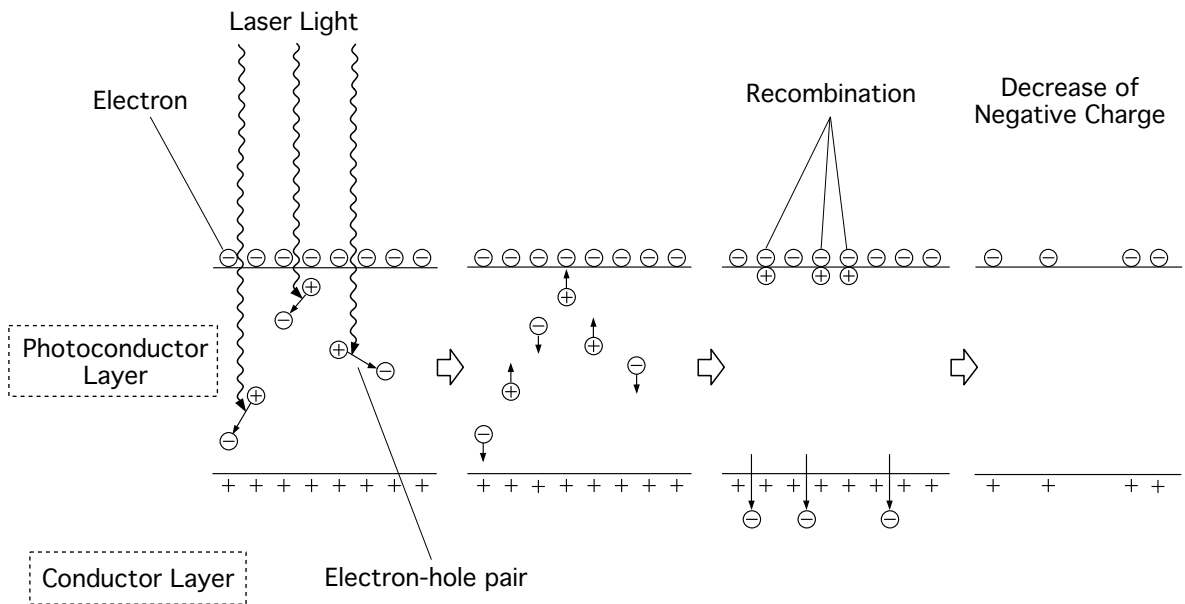
2 Exposure

During this stage, the laser beam scans across the negatively charged drum surface.

The laser beam is emitted from the laser diode in the laser/scanner assembly. This diode is stationary. Its beam reflects off the face of a rapidly rotating scanning mirror, through a correction lens, and outward off a stationary mirror which directs the beam onto the surface of the drum.

The laser beam is modulated according to the video signal from the printer controller, switched on when the video signal denotes a black pixel and off when it denotes a white pixel.

The laser beam that strikes the drum surface generates electron-hole pairs in the photoconductor layer, exciting electrons to the conduction band and thereby creating holes in the valence band. The electrons are attracted by the electric field and move toward the inner conductor of the drum to flow into it. The holes move toward the outside surface of the photoconductor layer and recombine with the negatively charged electrons at the surface to decrease the negative charge at the surface. The resultant less-negatively charged parts (parts whose potential has risen relative to the inner conductor) in the drum surface form an invisible electrostatic latent image.





3 Development

During this stage, the electrostatic latent image on the drum surface attracts toner and forms a visible toner image.

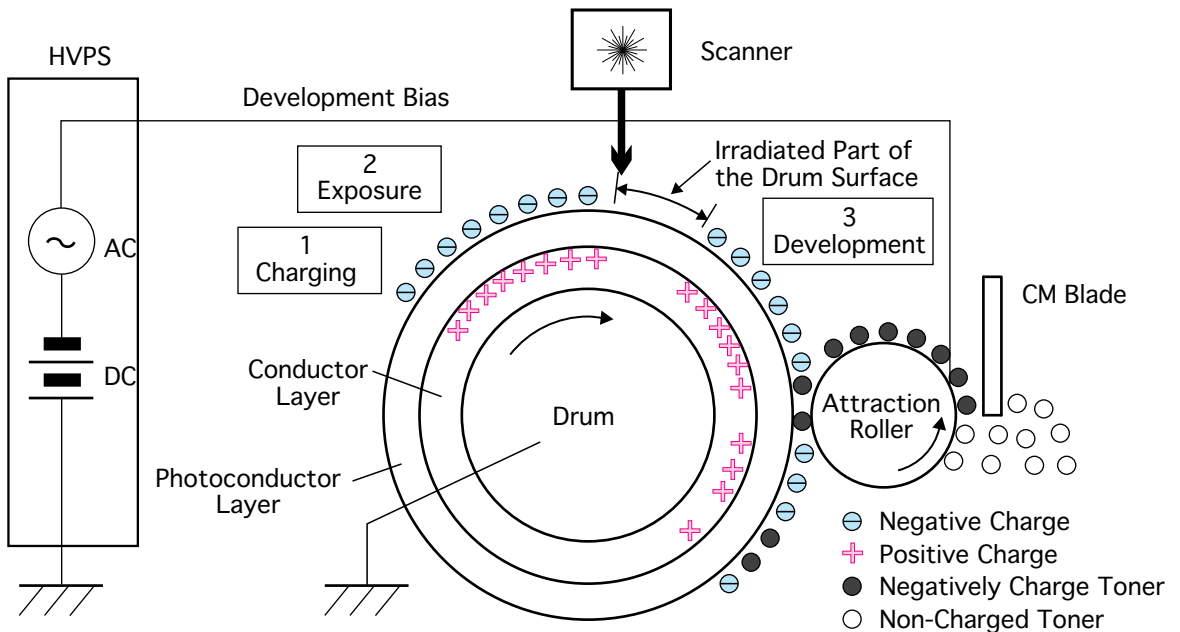
The LaserWriter 12/640 PS uses nonconducting magnetic toner that readily transfers to plain paper. The toner is supplied from the toner compartment to the attraction roller positioned close to the drum within the toner cartridge. Because of its slight magnetism, the toner is attracted to the surface of the attraction roller and is spread evenly into a very thin layer by the charging and metering blade (CMB). This blade is made of silicone rubber. As it comes into contact with the toner, the resulting friction imparts a negative charge onto the toner particles.

The attraction roller is covered with a thin conductive sleeve. A development bias (DB) voltage is applied to the conductive sleeve from the HVPS. The DB voltage is a negative DC voltage with an AC voltage superposed. The DC voltage is about -250 V and the AC voltage is about 1.7 kVp.

Since the attraction roller is kept at a potential of about -250 V DC relative to the conductor layer of the drum, the parts of the drum surface with the full negative charge have a lower electric potential than the attraction roller, and the parts with decreased negative charge have a higher electrical potential.

Therefore, the negatively charged toner on the attraction roller is pulled only to those areas of the drum with the decreased negative charge (since the attracting force of the positive charge on the conductor layer of the drum is greater than the repelling force of the negative charge on the drum surface, the toner is attracted in spite of the repelling force of the negative charge). As the toner adheres, the negative charge of those parts increases because of the negative charge of the toner, lowering the electric potential and increasing the repelling force of those parts to decrease the resultant attracting force.

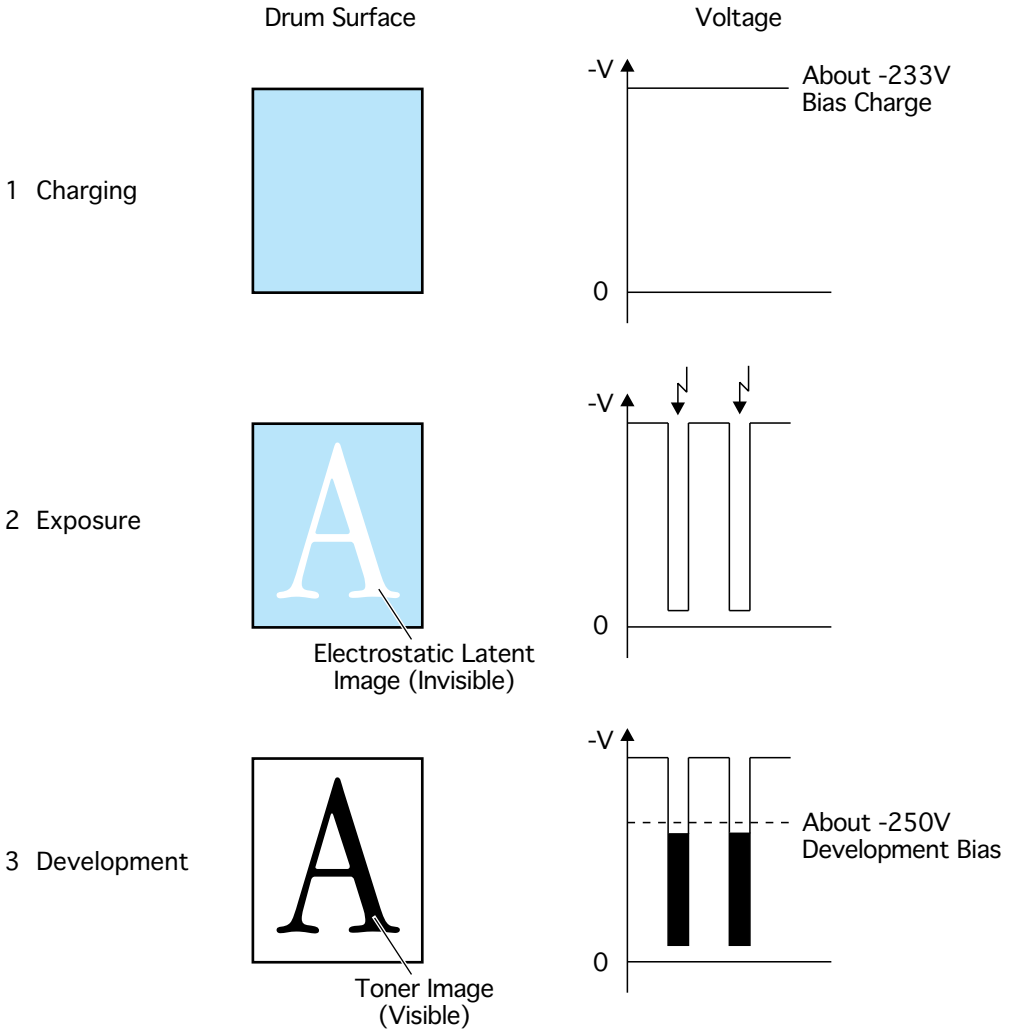
The AC voltage agitates the toner particles on the attraction roller surface and facilitates toner release. The invisible electrostatic latent image on the drum surface is thus developed into a visible toner image.





3 Development (cont.)

The diagram below illustrates the change of the potential as the drum surface passes from the charging through the development stages:

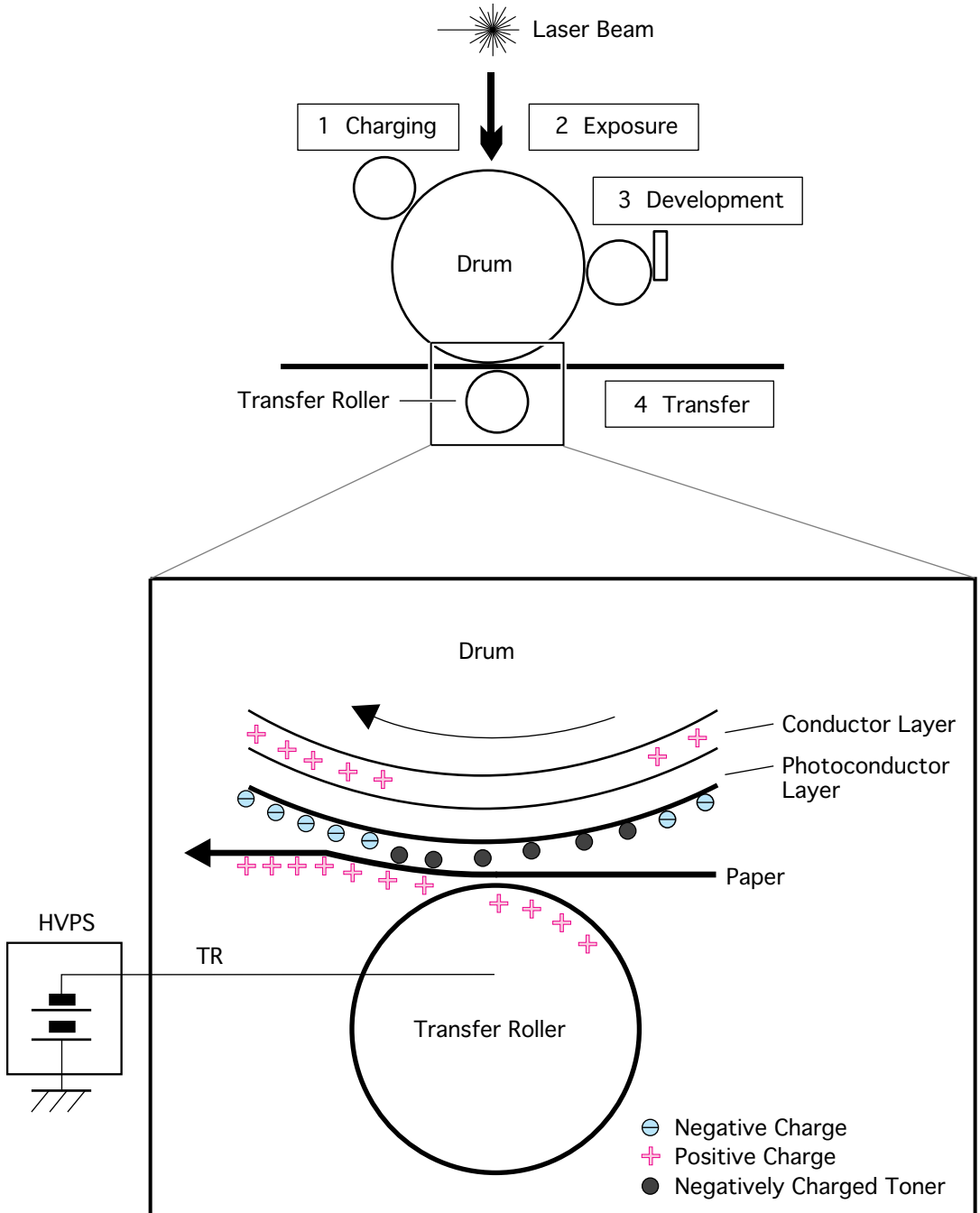


4 Transfer

During this stage, the toner transfers from the drum to the paper.

The bias transfer roller (BTR), referred to herein simply as the transfer roller, applies a positive charge to the back side of the paper as it feeds between the roller and the drum. The toner image transfers from the drum surface to the front side of the paper due to this positive charge on the back side of the paper.

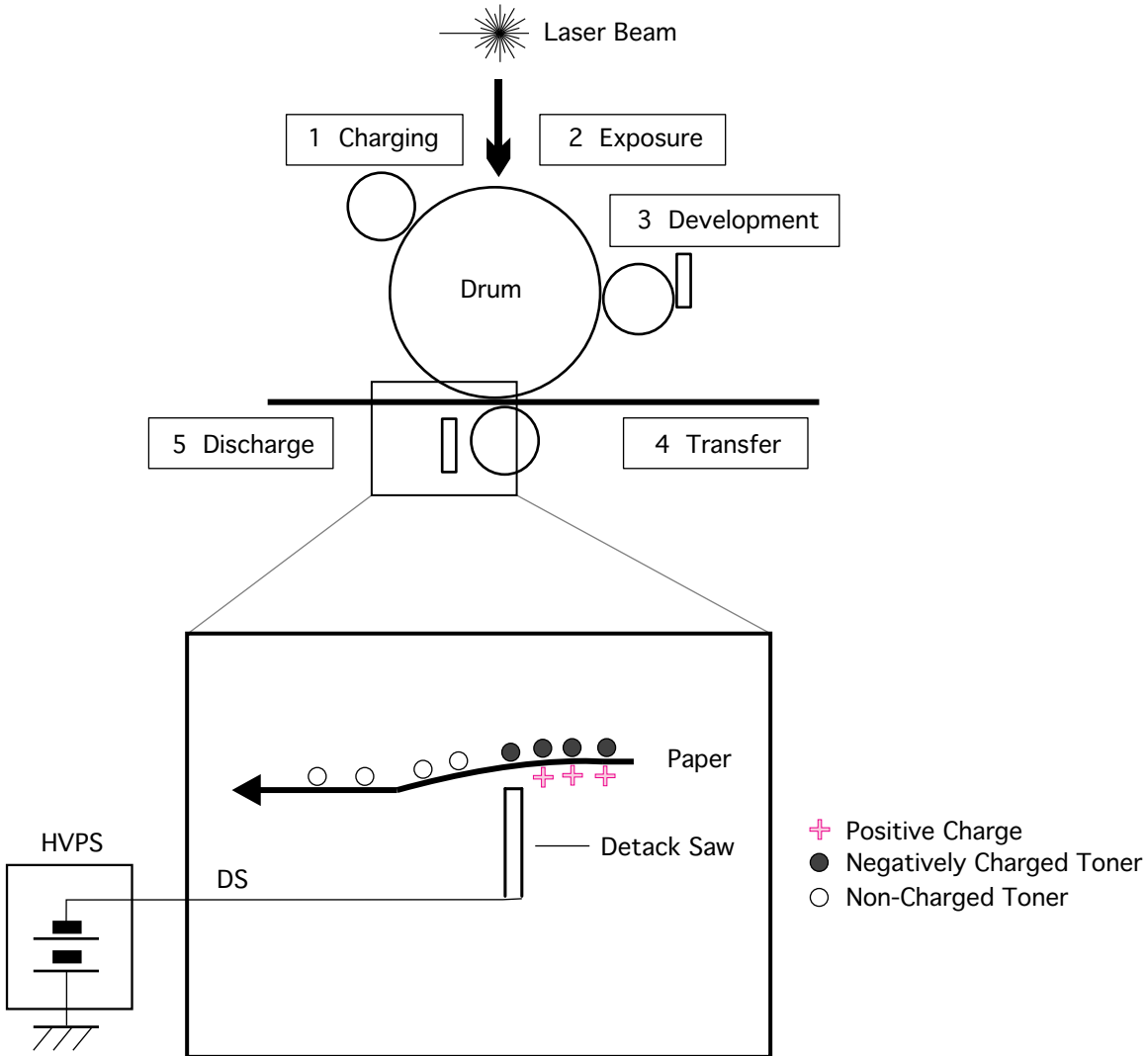
The paper is attracted by the negative charge induced in the inner conductor layer of the drum by the positive charge of the paper and sticks to the drum surface.



5 Discharge

During this stage, the paper comes off the drum surface.

The detack saw applies a negative charge to the back side of the paper to neutralize the positive charge previously applied by the transfer roller. The force which attracts the paper to the drum surface disappears, and the paper releases naturally from the drum due to gravity.





6 Fusing

During this stage, heat and pressure fix toner to the paper.

The toner image transferred from the drum surface to the paper is easily dislodged. To fix the image to the paper, the paper is passed between the fuser assembly and a pressure roller. The fuser roller applies the heat necessary to bond toner to paper and also supplies rotational force to help pull the paper evenly through. The pressure roller, though neither heated or mechanically driven, provides the surface against which the pressure and heat can be evenly applied.



Specifications

LaserWriter 12/640 PS





Introduction

Specifications information for this product can be found in this chapter and also in the Spec Database, which you can access in one of three ways:

- Launch it directly by double-clicking the Apple Spec Database runtime alias at the top level of the Main Service Source CD.
- Select "Apple Spec Database" from the Service Source drop-down main menu.
- Click the Acrobat toolbar icon for the database, which is near the right end of the toolbar with the letters "SP."





Engine

Marking Engine

Fuji Xerox P893 laser-xerographic

Laser

Type: Semiconductor laser GaAlAs

Wavelength: 780 nm

Output power: 5 mW

Speed

Simplex—12 pages per minute maximum using A4-size paper.
Actual speed depends on the images printed.

Duplex—8 pages per minute maximum using U.S. letter-size
paper. Actual speed depends on the images printed.

Life Expectancy (Printer)

Average number of prints between failure is 180,000 pages.





Life Expectancy (Toner Cartridge)

Life expectancy is 6,000 pages when printing text documents with average page coverage (5% black). An example of a 5% black page coverage is a page consisting of double-spaced 14-point courier type. Printing images and other graphics may impact toner cartridge life expectancy.

Printing Materials

16- to 28-pound laser-quality bond (60 to 90 g/m²); up to 50-pound (190 g/m²) stock when fed manually through the multipurpose tray and delivered through the face-up output tray. Accepts most textured and colored stock. Accepts medium-weight photocopier transparencies and labels. Envelopes can be printed from the multipurpose tray or from the optional envelope cassette (sheet feeder only).

The paper used should not scorch, melt, transfer material, or release hazardous emissions when heated to 200° C (393° F) for 0.1 seconds.





Paper Sizes and Capacity

Supports U.S. letter, A4, B5, executive, and legal in the standard paper cassette. The paper cassette holds 250 sheets of 20-pound (75 g/m²) paper. The multipurpose tray can hold up to 80 sheets of standard U.S. letter paper, and other paper sizes from postcard up to U.S. legal. An optional 500-sheet cassette is available that supports letter, A4, and U.S. legal-paper sizes. An envelope cassette that can automatically feed up to 50 envelopes is also available. The envelope cassette is compatible only with the 500-sheet feeder.





Dimensions

Printer only

Height 9.5 in. (24.2 cm)

Width 15.9 in. (40.5 cm)

Depth 16.7 in. (42.4 cm)

Printer with optional duplex printing unit

Height 11.89 in. (30.2 cm)

Width 15.9 in. (40.5 cm)

Depth 20.47 in. (52.0 cm)

Printer with optional 500-sheet cassette and feeder

Height 14.0 in. (35.6 cm)

Width 15.9 in. (40.5 cm)

Depth 16.7 in. (42.4 cm)

Printer with optional duplex printing unit and 500-sheet
cassette feeder

Height 16.2 in. (41.1 cm)

Width 15.9 in. (40.5 cm)

Depth 20.4 in. (52.0 cm)





Weight Approximately 30 lb. (14 kg)

Voltage Requirements
U.S.
103.5 to 126.5 VAC, 58 to 62 Hz
Europe/Australia
198 to 264 VAC, 48 to 52 Hz

Note: The LaserWriter 12/640 PS printer does not contain a universal power supply or fuser assembly.





Power Consumption

Energy-saving mode

26 W

Standby average

100/120 V, approximately 125 W

220/240 V, approximately 120 W

Operating average

110/120 V, approximately 390 W

220/240 V, approximately 370 W

Maximum power consumption

110/120 V, approximately 790 W, 6.8 A

220/240 V, approximately 770 W, 3.5 A





I/O Controller

Microprocessor

AMD Am29040 30-MHz RISC microprocessor

ROM

4 MB (including 35 Type 1 fonts)

RAM

4 MB (expandable to 64 MB)
72-pin, 70 ns or less SIMMs are required. See “Upgrades” for full information about possible configurations.





Ports

LocalTalk

Parallel

AAUI Ethernet port with three protocols:

 EtherTalk

 Novell NetWare IPX (PSERVER or RPRINTER)

 TCP/IP (BSD lpd)

External Ethernet transceivers available for:

 Thin Coax (10BASE-2)

 Twisted Pair (10BASE-T)

 Thick Coax (10BASE-5)

(All ports/protocols simultaneously active)

Two-position communication switch

Resolution

600 dpi





Grayscale Imaging

Standard

85 lines/inch dithered halftone, 101 gray levels

106 lines/inch dithered halftone, 129 gray levels

141 lines/inch dithered halftone, 73 gray levels

PhotoGrade (12 MB of RAM required)

85 lines/inch halftone, 201 gray levels

106 lines/inch halftone, 257 gray levels

141 lines/inch halftone, 145 gray levels

Languages

PostScript Level 2 (2015)

PCL5 (LaserJet IIID emulation)





Fonts on Disk

Sixty-four fonts are provided with the LaserWriter 12/640 PS, including such fonts as ITC Avant Garde ® , ITC Bookman ® , Chicago, Courier, Delphian, Garamond Condensed, Geneva, Helvetica ® , Helvetica Black, Helvetica Compressed, Helvetica Narrow, Lubalin Graph, Lucida Bright, Machine, Monaco, Nadianne, New Century Schoolbook, New York, Old English Text, Onyx, Oxford, Palatino ® , Swing, Symbol, Times ® , ITC Zapf Chancery ® , ITC Zapf Dingbats ® , and Zeal.





Fonts in ROM

PostScript

The following fonts are resident in the printer ROM:

AvantGarde Book, AvantGarde BookOblique, AvantGarde Demi,
AvantGarde DemiOblique

Bookman Demi, Bookman Demitalic, Bookman Light, Bookman
LightItalic

Courier, Courier Bold, Courier BoldOblique, Courier Oblique
Helvetica, Helvetica Bold, Helvetica Bold Oblique, Helvetica
Narrow, Helvetica Narrow Bold, Helvetica Narrow
BoldOblique, Helvetica Narrow Oblique, Helvetica Oblique

NewCentury Schoolbook Bold, NewCentury Schoolbook BoldItalic,
NewCentury Schoolbook Italic, NewCentury Schoolbook Roman

Palatino Bold, Palatino BoldItalic, Palatino Italic, Palatino Roman
Symbol

Times Bold, Times Bold Italic, Times Italic, Times Roman

Zapf Chancery MediumItalic

Zapf Dingbats



**PCL**

The following PCL fonts are resident in the printer ROM:

Times Roman, Time Bold, Time Italic, Times Bold Italic

Univers Medium, Univers Medium Bold, Univers Medium Italic,
Univers Medium Bold Italic

Courier 12 pitch, 10 point Medium; Courier 12 pitch, 10 point
Bold; Courier 12 pitch, 10 point Italic; Courier 10 pitch, 12
point Medium; Courier 10 pitch, 12 point Bold; Courier 10
pitch, 12 point Italic

Line Printer Font 16.67 pitch, 8.5 point, Medium





Environmental Information

Operating Temperature

50° to 90° F (10° to 32° C)

Operating Humidity

15 to 80 percent RH non-condensing

Storage (Toner Cartridge)

Temperature 32° to 95° F (0° to 35° C)
Humidity 15 to 85 percent RH non-condensing

Storage (Printer)

Temperature 32° to 122° F (0° to 40° C)
Humidity 35 to 85 percent RH non-condensing





Finished Goods Accessories

Ethernet

Apple Ethernet Thin Coax Transceiver M0329Z/B
Apple Ethernet Twisted Pair Transceiver M0437Z/B
Apple Ethernet AUI Adapter M0432LL/A

Toner Cartridge

LaserWriter 12/640 PS Toner Cartridge M4683G/A

Printer Options

LaserWriter 12/640 PS 500-Sheet Feeder M4682G/A (includes standard 500-sheet cassette). Envelope cassette M4680G/A is also available for the sheet feeder.

LaserWriter 12/640 PS Face-Up Output Tray M4698G/A
LaserWriter 12/640 PS Duplex Printing Unit M4697G/A

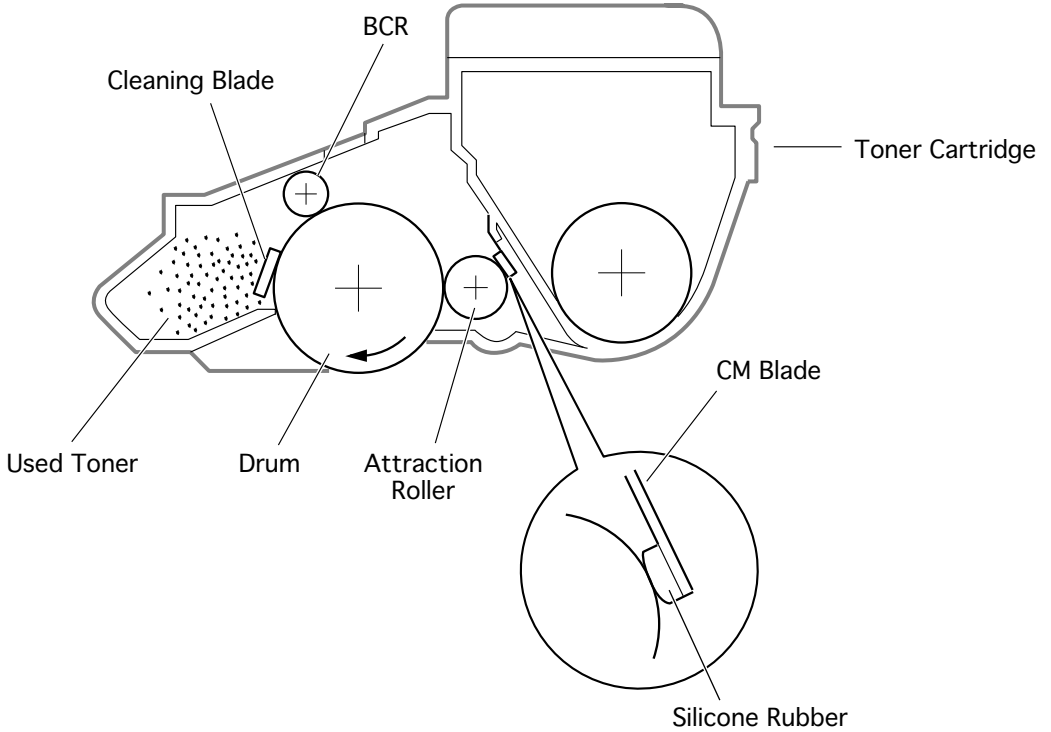




7 Cleaning

During this stage, any residual toner on the drum is cleaned off to prepare for the next print cycle.

The residual toner is collected in a special compartment separate from the fresh toner compartment. The transfer rate is more than 90%, but varies according to the percentage of printed pixels and the environmental conditions such as temperature and humidity. Residual toner cannot be re-used.

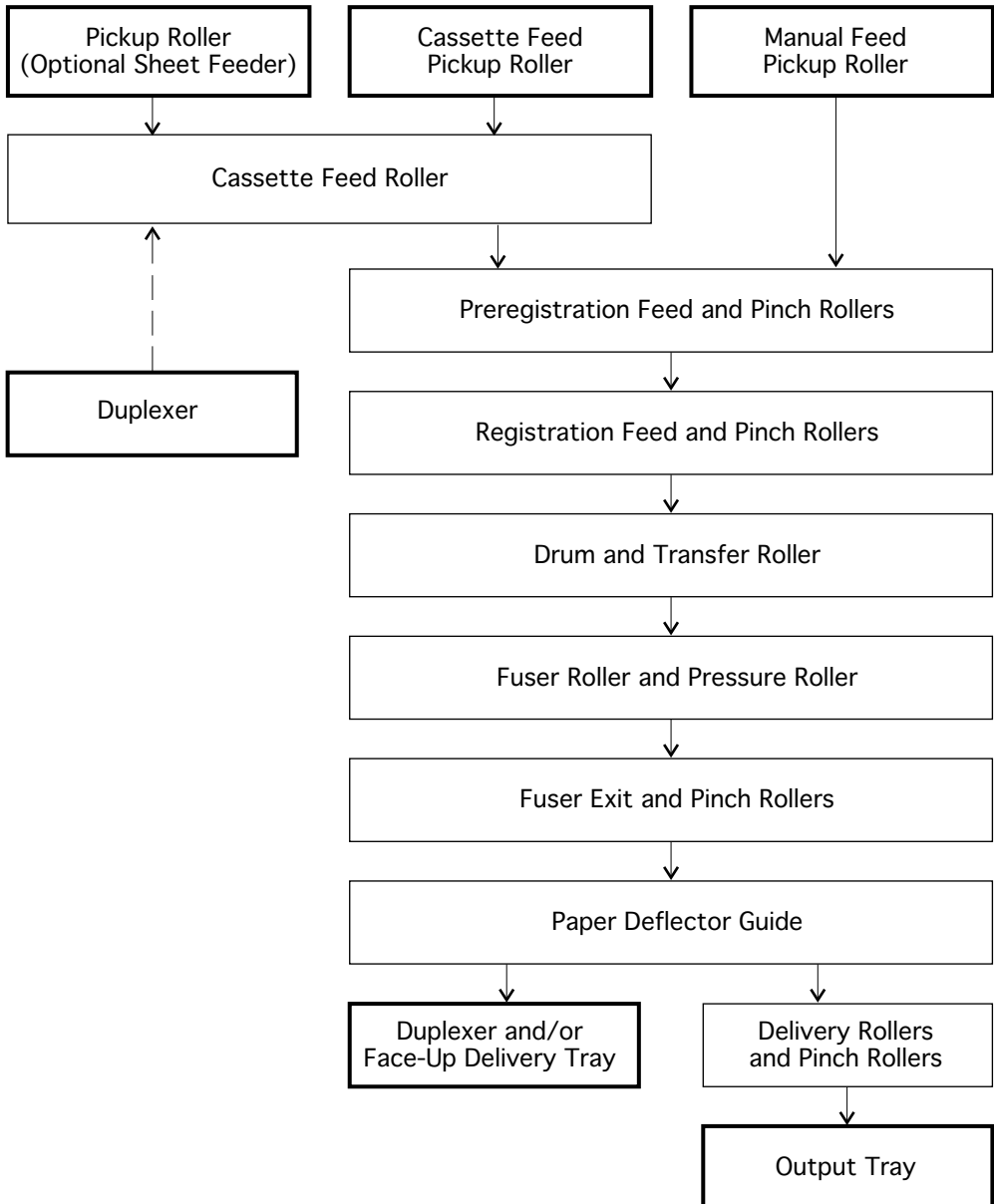




Paper Transportation

Paper Path Flowchart

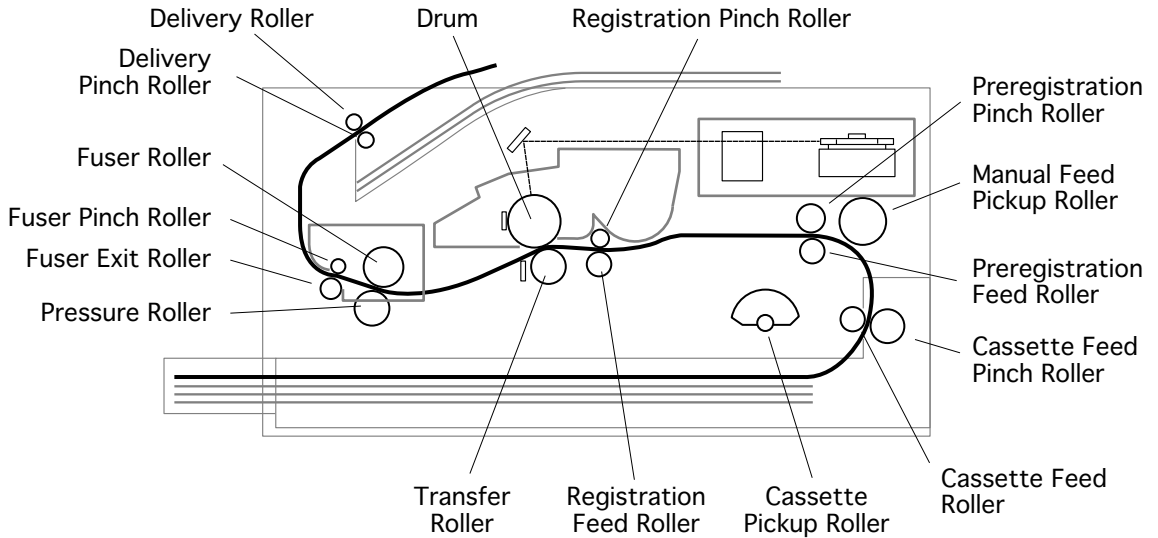
The chart below shows the parts that feed paper through the LaserWriter 12/640 PS engine. Parts are shown in the order in which they occur during a print cycle.





Paper Path Diagram

The cross-sectional diagram below illustrates the elements indicated in the previous chart. The roller diameters are listed below the diagram.



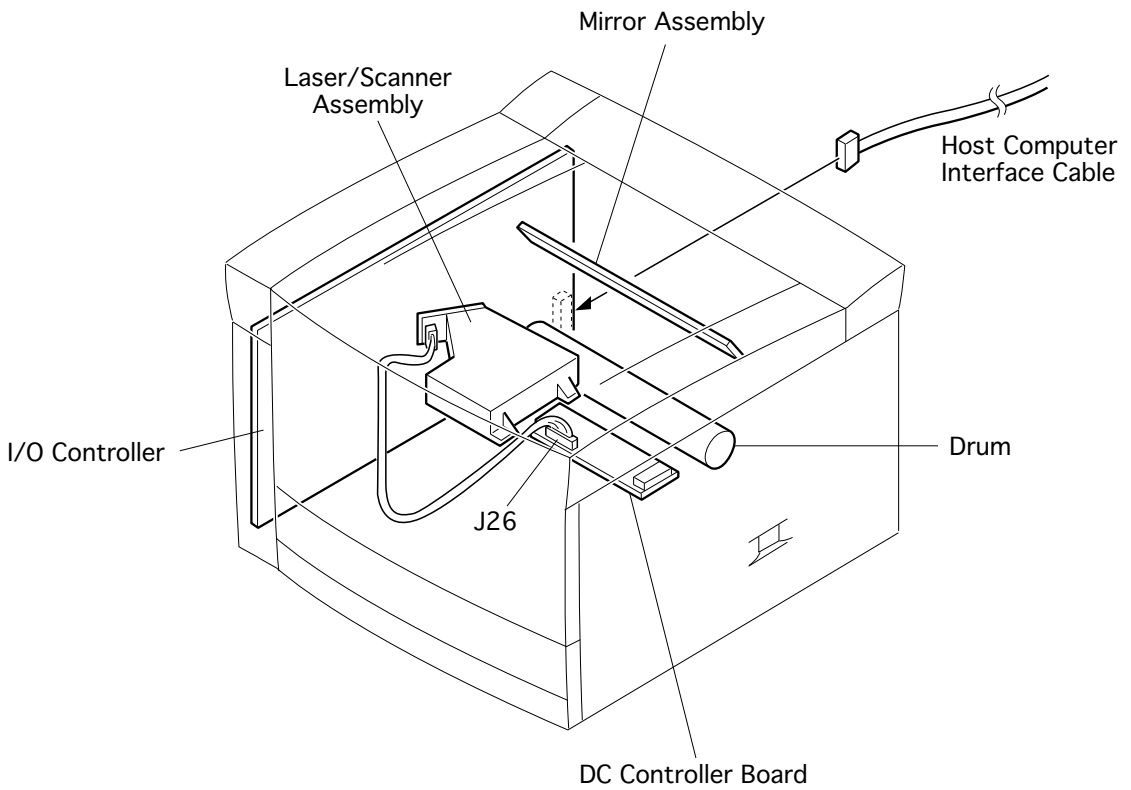
Roller	Diameter (inches/mm)	
Delivery Roller	.34 in.	8.8 mm
Drum	1.18	30.0
Registration Pinch Roller	.39	10.0
Delivery Pinch Roller	.39-.43	10.0-10.8
Fuser Roller	.89	22.6
Fuser Pinch Roller	31.0	8.0
Fuser Exit Roller	.53	13.6
Pressure Roller	.90	23.0
Transfer Roller	.63	15.9
Registration Feed Roller	.56	14.3
Cassette Pickup Roller	.79	20.0
Cassette Feed Roller	.55	14.0
Cassete Feed Pinch Roller	.79	20.0
Preregistration Feed Roller	.55	14.0
Manual Feed Pickup Roller	.55	14.0
Preregistration Pinch Roller	.63	16.0



Print Image Creation

Print Image Generation

The image data signal (VIDEO) is sent from the I/O controller board to the laser/scanner assembly via the DC controller board. The video signal is passed through the DC controller board as received from the I/O controller without buffering or additional processing. The signal is converted into laser light, which is scanned onto the surface of the photosensitive drum as described below. As a result, an electrostatic latent image is produced on the drum surface.





Laser/Scanner Assembly Structure and Operation

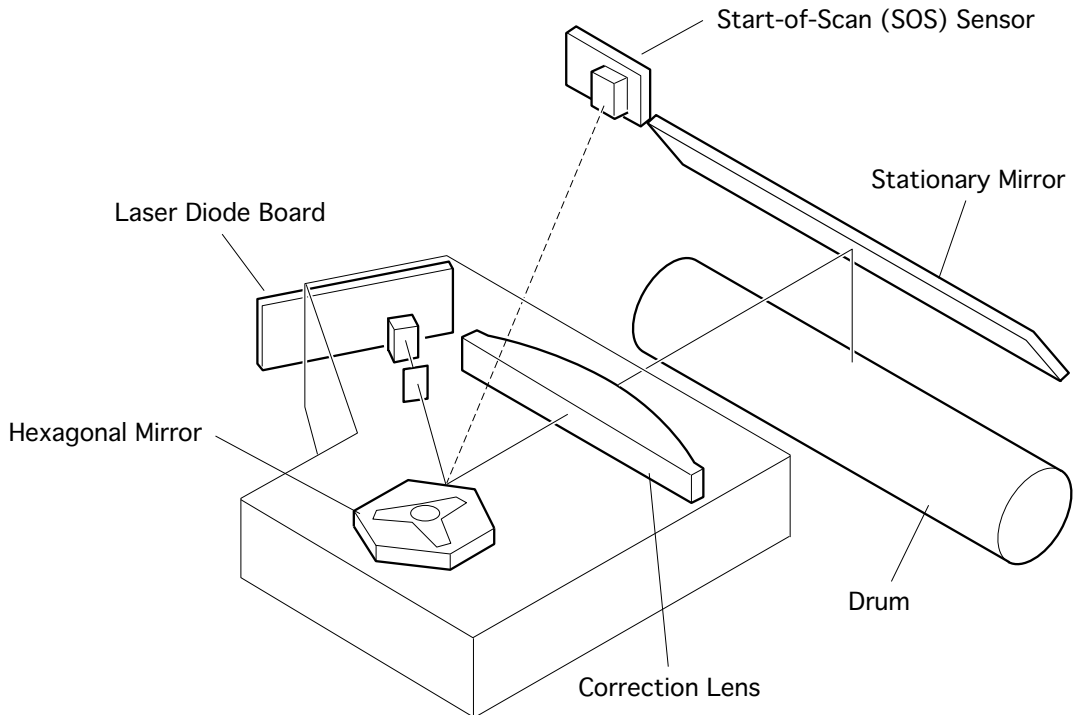
The laser light source used for the LaserWriter 12/600 PS is a semiconductor laser diode (LD) with a rated maximum output power of 5 mW.

The laser diode is switched on and off according to the video signal. The power of the laser light is monitored and controlled by the monitor circuit so that it remains constant.

The laser light from the diode is aimed directly at a hexagonal mirror that is being rotated at a very high speed by the scanner motor. The six facets of the mirror reflect the laser beam in turn as the mirror rotates.

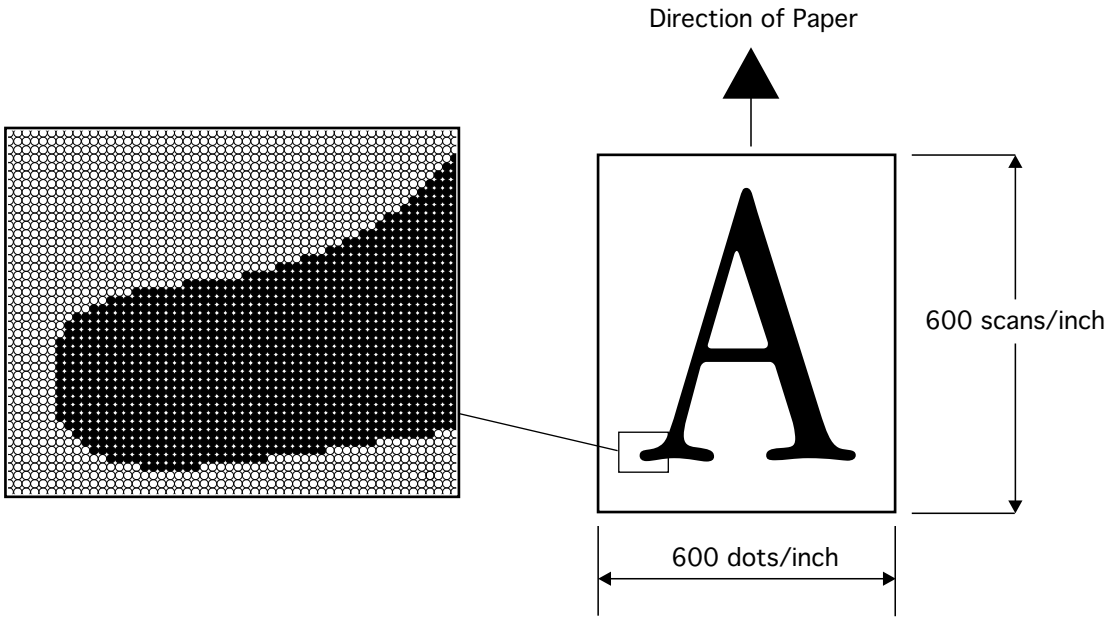
The beam reflected by the hexagonal mirror passes through a correction lens and outward from the laser/scanner assembly. The beam reflects downward off a stationary mirror and through a slit in the toner cartridge, striking the surface of the photosensitive drum.

At the beginning of each scan, the laser beam strikes the start-of-scan (SOS) sensor. The on and off switch of the laser light is determined by the signal from the SOS sensor.





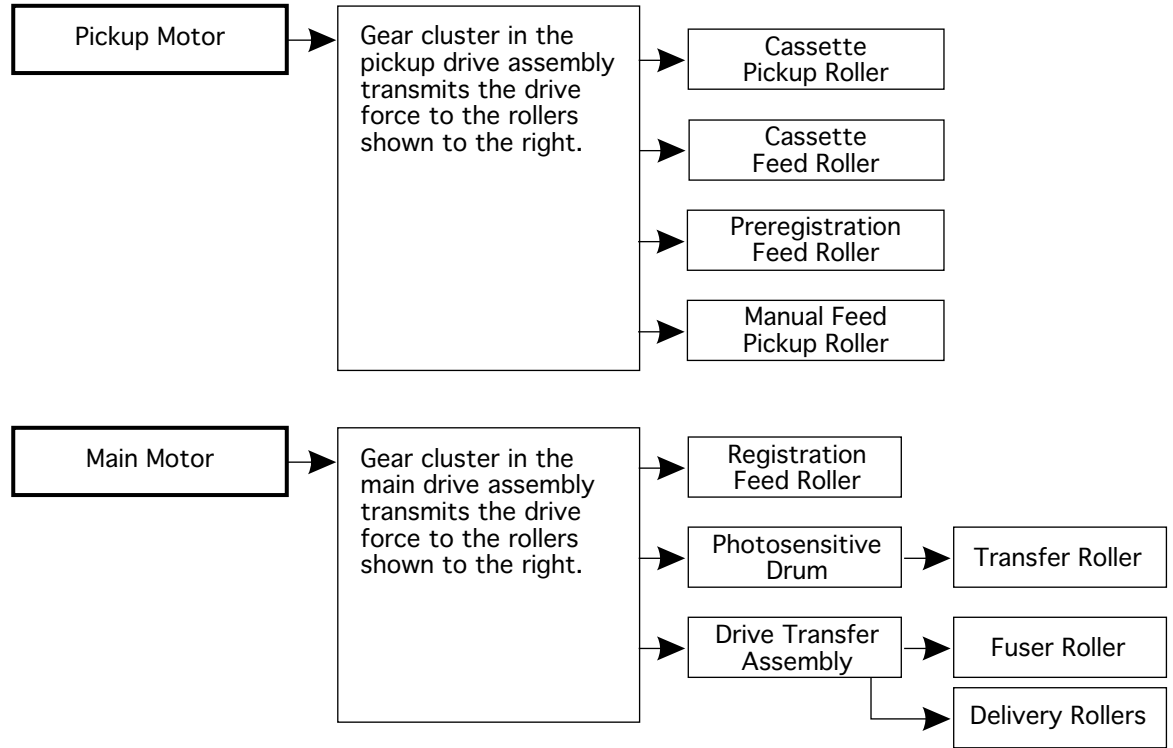
Note: One horizontal line of an image is drawn by scanning the pulsating laser beam across the drum. The timing and location of the pulse is a function of the VIDEO signal originating from the I/O controller board. By rotating the drum and scanning additional lines, a two-dimensional image is built. The resolution of a laser printer is determined by the number of pixels per inch (in the horizontal direction) and the number of scans per inch (in the vertical direction). The LaserWriter 12/640 PS has a resolution of 600 x 600.





Mechanical Drive

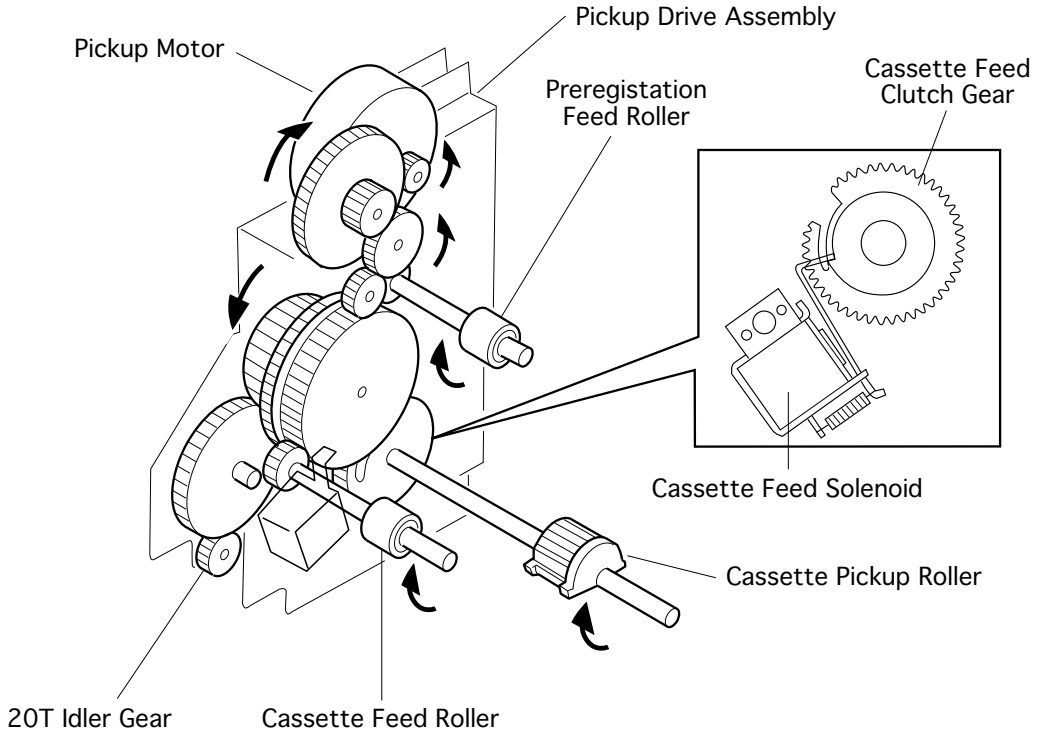
The generation and transmission of mechanical drive in the LaserWriter 12/640 PS is shown in the diagram below.





1 Pickup Motor Mechanical Drive (Part 1 of 2)

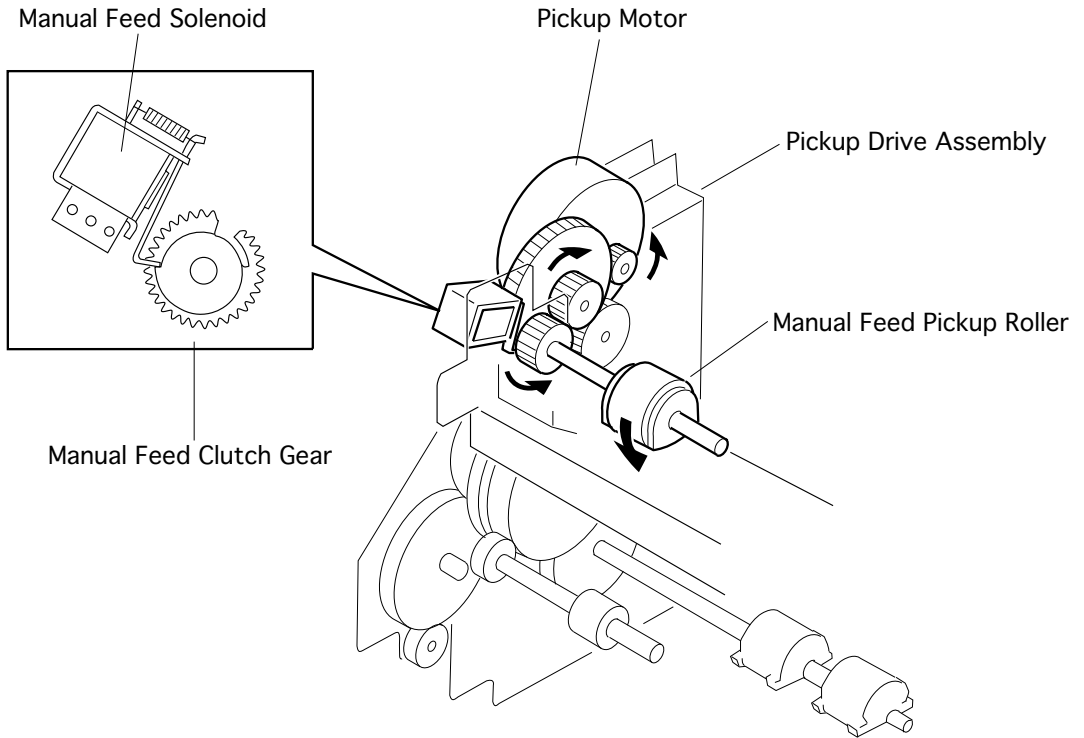
The drive force generated by the pickup motor is transmitted to the cassette and preregistration feed rollers and to the cassette feed clutch gear via the pickup drive assembly. The rotation of the cassette pickup roller is controlled by the cassette feed clutch gear and the cassette feed solenoid.





2 Pickup Motor Mechanical Drive (Part 2 of 2)

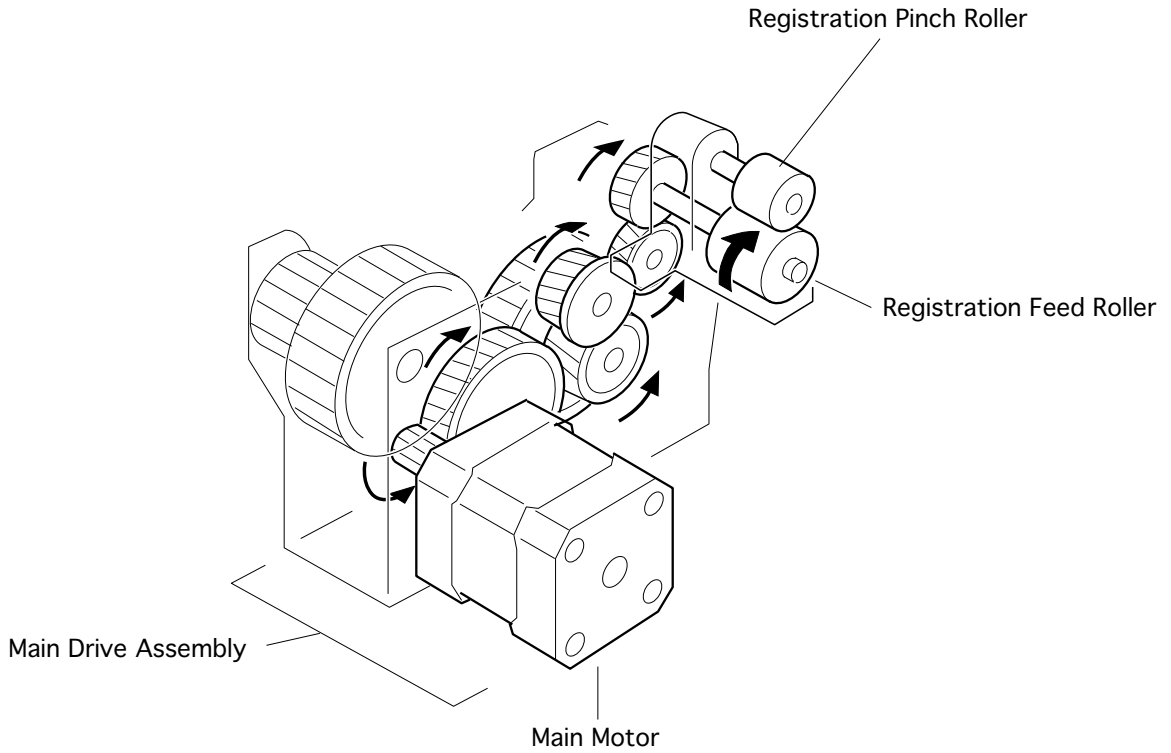
The drive force generated by the pickup motor is also transmitted to the manual feed clutch gear via the pickup drive assembly. The rotation of the manual feed pickup roller is controlled by the manual feed clutch gear and the manual feed solenoid.





3 Main Motor Mechanical Drive (Part 1 of 3)

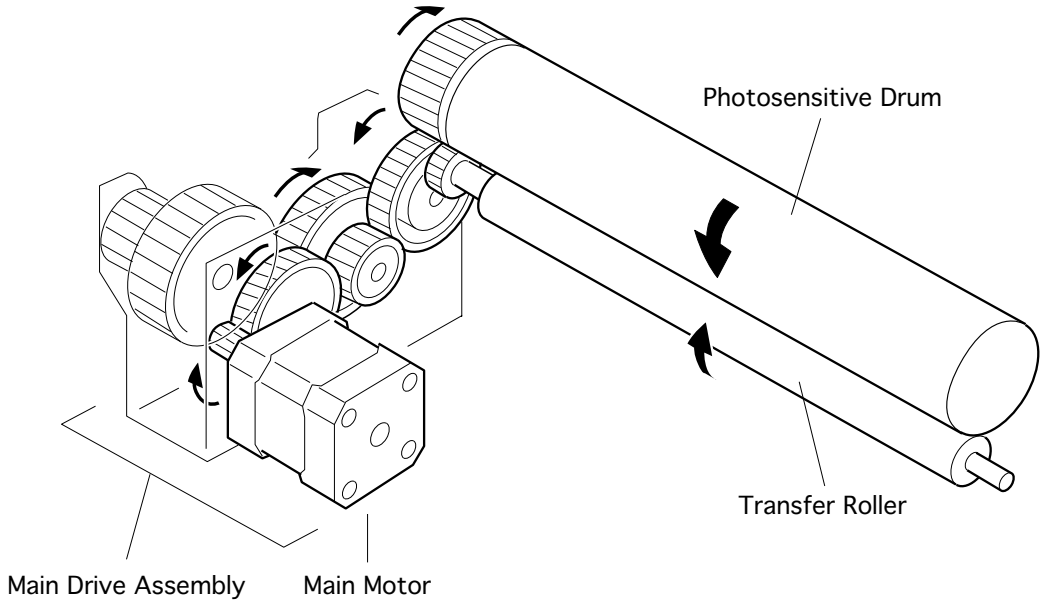
The drive force from the main motor is transmitted to the registration feed roller via the main drive assembly.





4 Main Motor Mechanical Drive (Part 2 of 3)

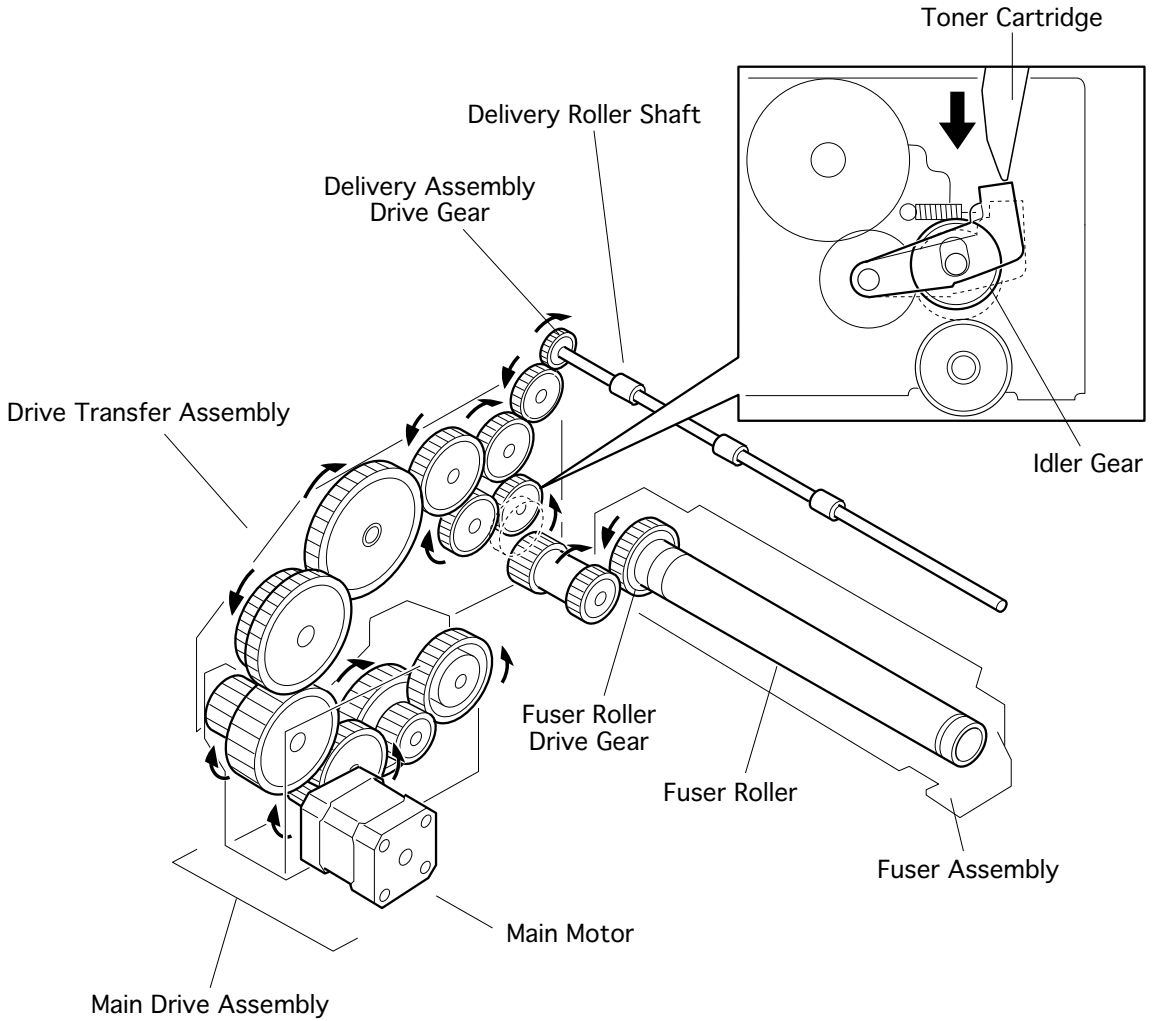
The drive force from the main motor is also transmitted through the main drive assembly to the photosensitive drum, and from the drum to the transfer roller.





5 Main Motor Mechanical Drive (Part 3 of 3)

The drive force from the main motor is also transmitted to the fuser roller drive gear and the delivery assembly drive gear via the drive transfer assembly. When the toner cartridge is removed, the idler gear opens the path of drive force transmission, thus cutting off mechanical drive to the fuser assembly.





Function of Major Components

The function of the major components of the LaserWriter 12/640 PS is briefly described below. The components are divided into the following seven blocks, which correspond to the exploded views that appear in the exploded view chapter.

- Cassette (Deck 1)
- Paper Transport
- Fusing and Paper Exit
- Drive & Xerographic
- Electrical
- Frame

Cassette (Deck 1)

Paper Cassette

The cassette holds cut sheets of plain paper. Envelopes must be fed from the multipurpose tray or the optional envelope cassette, and post cards must be fed from the multipurpose tray.

The cassette has an adjustable paper guide at the left rear. By adjusting this rear paper guide to the size of the paper used, individual actuator tabs on the left side of the cassette are engaged, thereby actuating the corresponding microswitch on the cassette sizing assembly board.

The cassette has a slot that allows passage of paper from the optional lower deck.

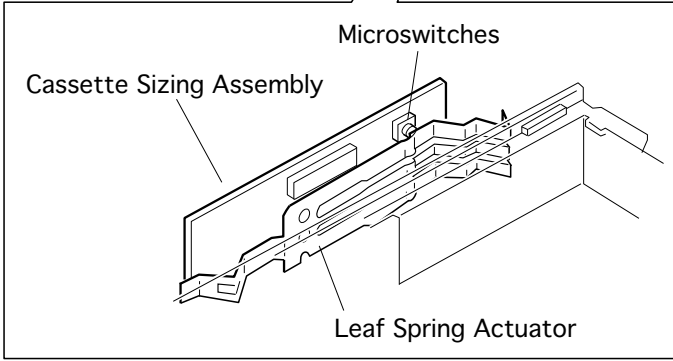
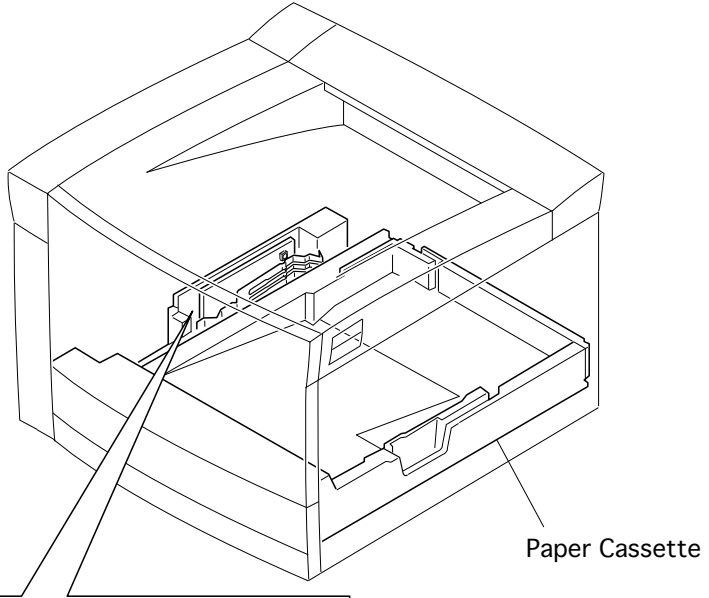
Cassette Sizing Assembly

Three paper size microswitches and the leaf spring actuator are mounted onto the cassette size assembly printed circuit board.

Each microswitch is on when it is being pressed by the spring actuator. The size of paper (or a no-cassette-present state) is detected by the combination of on and off switches.



Cassette (Deck 1)





Paper Transport (1 of 2)

Pickup Drive Assembly

The pickup drive assembly is responsible for mechanical drive to the cassette and manual feed pickup rollers and to the cassette and preregistration feed rollers. It is powered by the pickup motor. Contained within the assembly itself are the two feed rollers and the cassette feed solenoid.

Main Drive Assembly

The main drive assembly is responsible for all mechanical drive from the registration roller through paper delivery. It is powered by the main motor.

Drive Transfer Assembly

The drive transfer assembly is the gear train that transfers mechanical drive from the main motor to the fuser assembly, delivery roller shaft, and photosensitive drum. An idler gear is located along the path of the drive force transmission to the fuser. The idler gear closes the path when the toner cartridge is installed.

Registration Feed Roller

The registration feed roller, which is driven by the operation of the main drive assembly, feeds paper in concert with the registration pinch roller. The pinch roller is spring-loaded but passive. It receives no mechanical drive.

Registration Sensor/Actuator

The registration sensor is mounted to the power supply assembly. The registration actuator is mounted to the frame. The sensor detects when paper reaches the registration position. The signal of the registration sensor is used to position paper in synch with the toner image on the drum.

Preregistration Sensor/Actuator

The preregistration sensor is mounted to the power supply assembly. The actuator is mounted to the chute registration assembly. The preregistration sensor detects when paper reaches the preregistration position.

Paper Deflector Solenoid

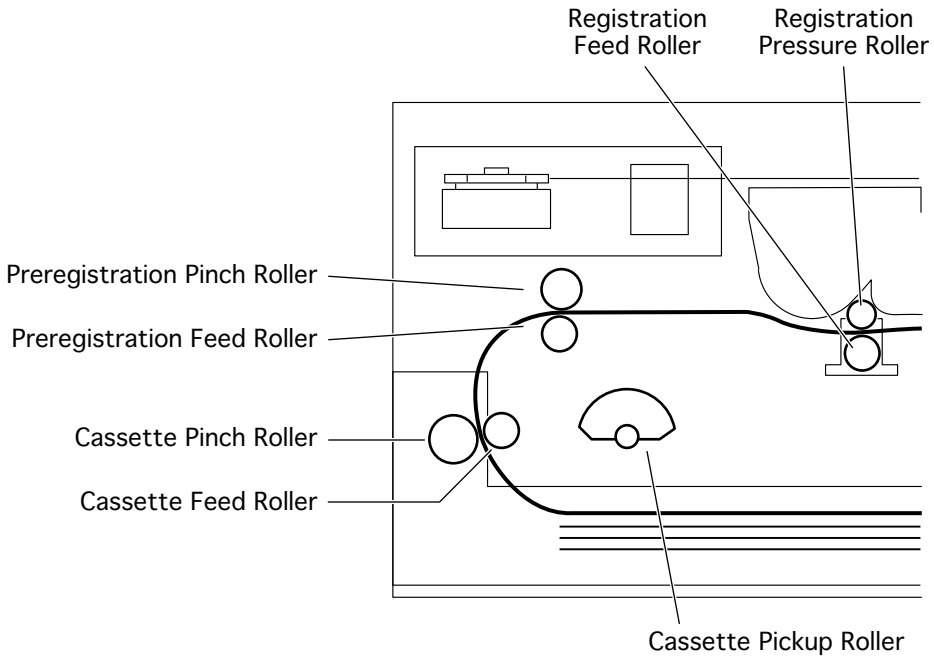
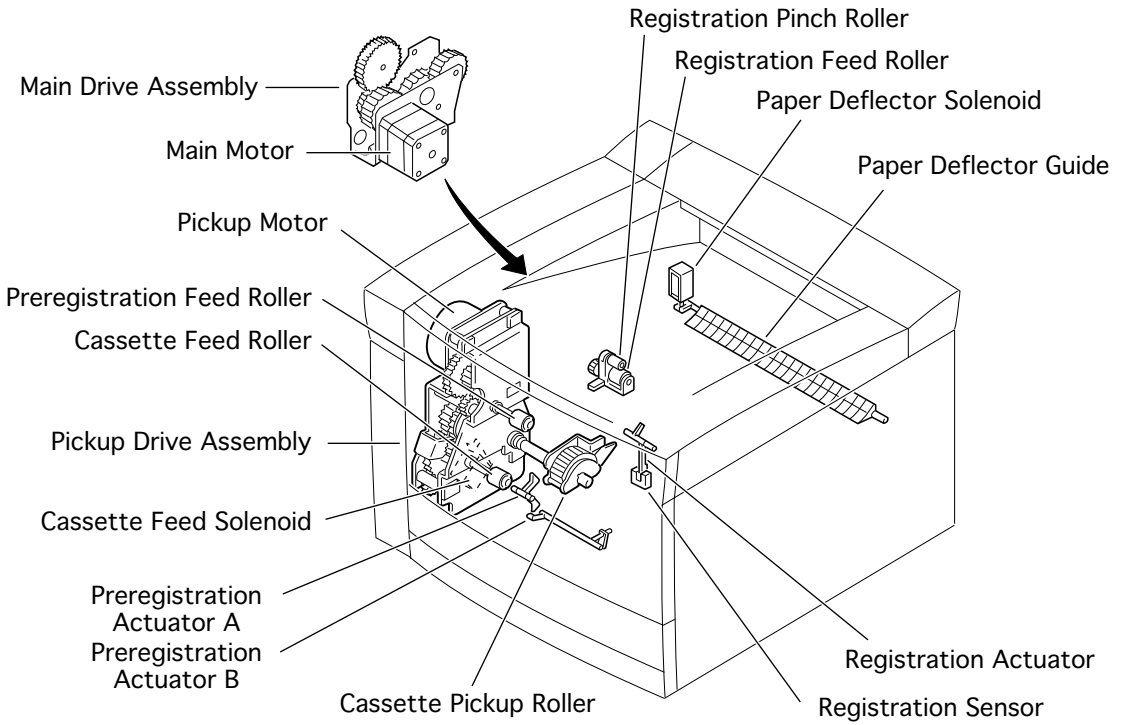
Switches the direction of the paper deflector guide.

Paper Deflector Guide

This guide is on the delivery side of the fuser. It controls whether paper passes into the duplexer/face-up tray or outward onto the output tray.



Paper Transport (1 of 2)





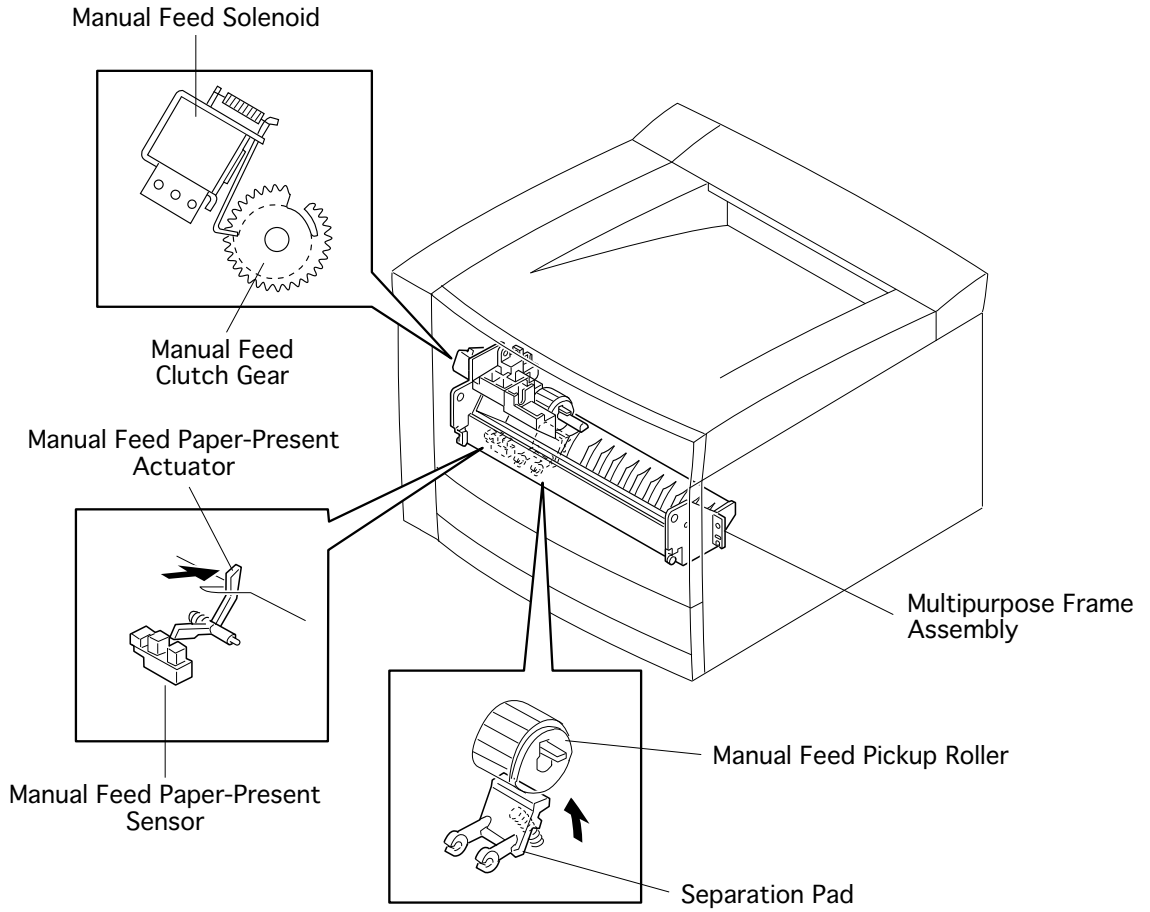
Paper Transport (2 of 2)

Multipurpose Frame Assembly

The multipurpose frame assembly includes the manual feed solenoid, manual feed clutch gear, manual feed pickup roller, separation pad, and the manual feed paper-present sensor and actuator.



Paper Transport (2 of 2)





Fusing and Paper Exit

Fuser Assembly

The major parts contained within the fuser assembly include the fuser heater bulb, fuser roller, thermostat, fuse, and temperature sensor assembly.

The fuser heater bulb is located inside the fuser roller. Power to the bulb is switched on and off so that the temperature of the fuser roller surface is kept constant. When the temperature of the fuser rises to the predetermined upper limit temperature, the power supply is switched off. This safeguard is known as first-stage overheating protection.

The fuser roller applies the heat for melting and fusing the toner to paper. It is connected to the frame ground through a diode so that negative charge flows, thereby preventing the toner image from being disturbed during the fusing process.

The thermostat is a part of the fuser bulb circuit and provides the second-stage overheating protection. If the first-stage overheating protection fails to prevent overheating and the thermostat reaches the predetermined temperature, the contacts of the thermostat open to break the circuit between the fuser bulb and the power supply.

The fuse is also a part of the fuser bulb circuit and provides the third-stage overheating protection. If the first and second stage protection both fail to prevent overheating and the fuse reaches the predetermined temperature, the fuse melts to open the circuit between the fuser and the power supply.

The temperature sensor is a resistor whose resistance varies rapidly with temperature. It is positioned in contact with the surface of the fuser roller. Power to the fuser bulb is switched on and off so that the temperature of the surface of the fuser roller is kept constant.

Fuser Pressure Roller

The fuser pressure roller is a sponge roller covered with a tube. It is located beneath the fuser assembly and is spring-loaded to apply pressure against the fuser roller as paper passes. The fuser pressure roller is not mechanically driven.

Fuser Exit Sensor/Actuator

The fuser exit sensor is actuated as paper exits the fuser assembly but before paper reaches the paper deflector guide.

Delivery Sensor/Actuators

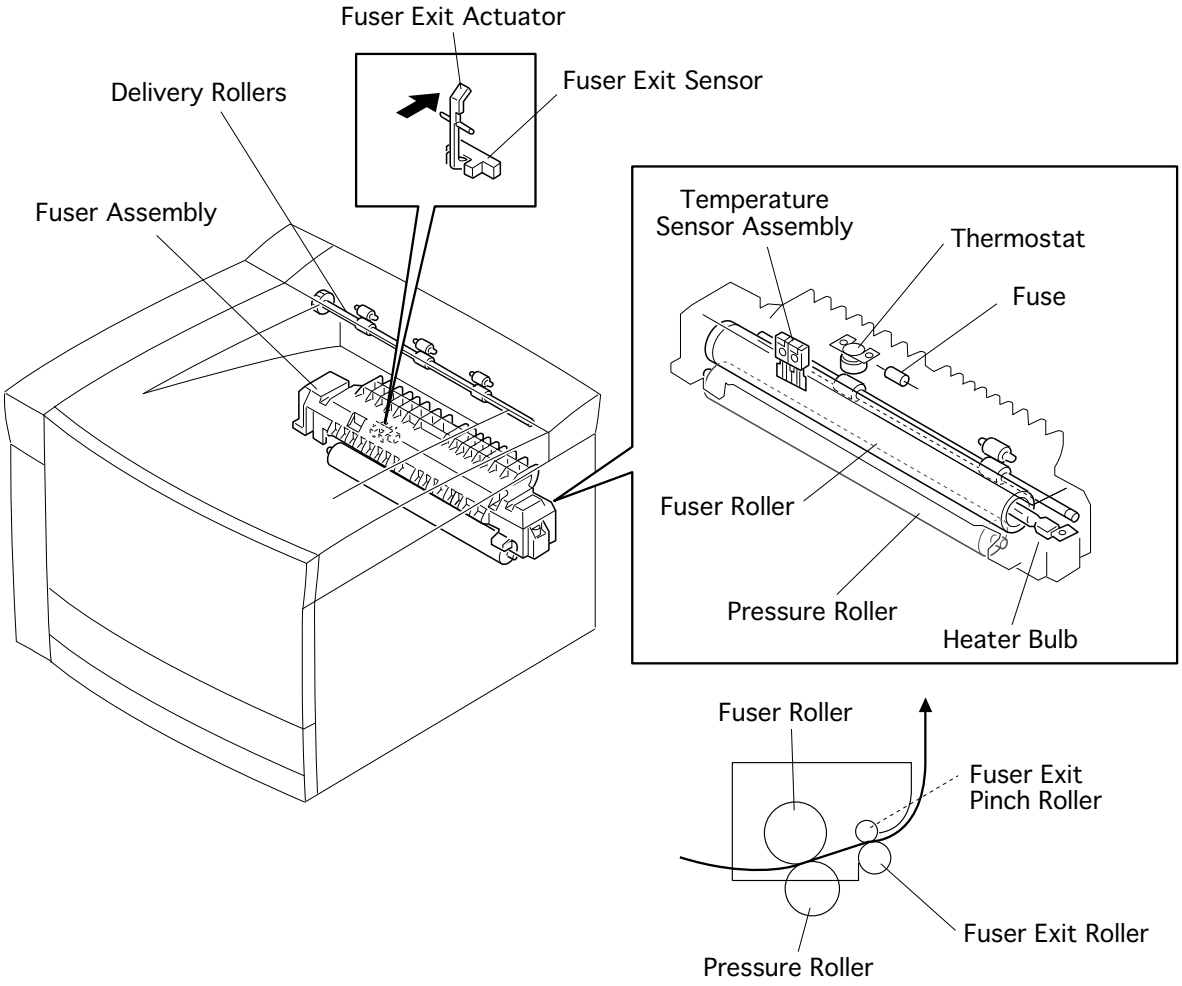
The delivery sensor is actuated as paper reaches the delivery rollers.

Delivery Roller Shaft

The delivery roller shaft holds three fixed delivery rollers that feed paper through to the output tray on the top of the printer.



Fusing and Paper Exit





Drive and Xerographic

For full description of the components in this section, see the “Print Image Creation” topic.

Laser/Scanner Assembly

The laser/scanner assembly includes the laser diode, scanner, lenses, and mirrors.

Note: The laser/scanner assembly is a precision optical system. Never open the cover. Touching the parts may result in permanent damage to the components.

Mirror Assembly

The mirror assembly includes the start-of-scan sensor (SOS) and the stationary mirror that reflects the beam from the scanner mirror onto the photosensitive drum.

Toner Cartridge

The toner cartridge consists of a photosensitive drum and a toner container integrated into one unit. It includes the following major components.

- Photosensitive Drum

- Bias Charge Roller (BCR)

- Attraction Roller

- Charging and Metering Blade (CMB)

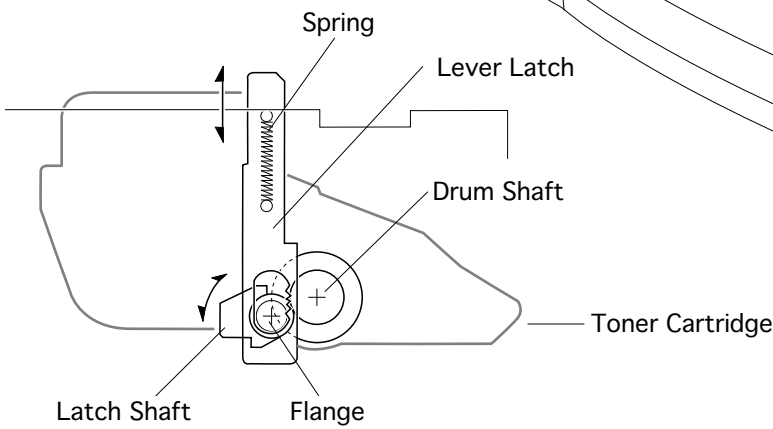
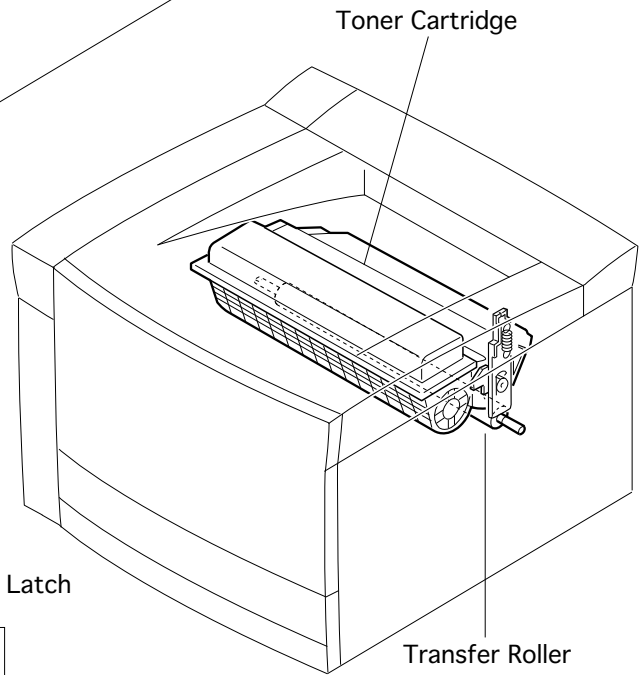
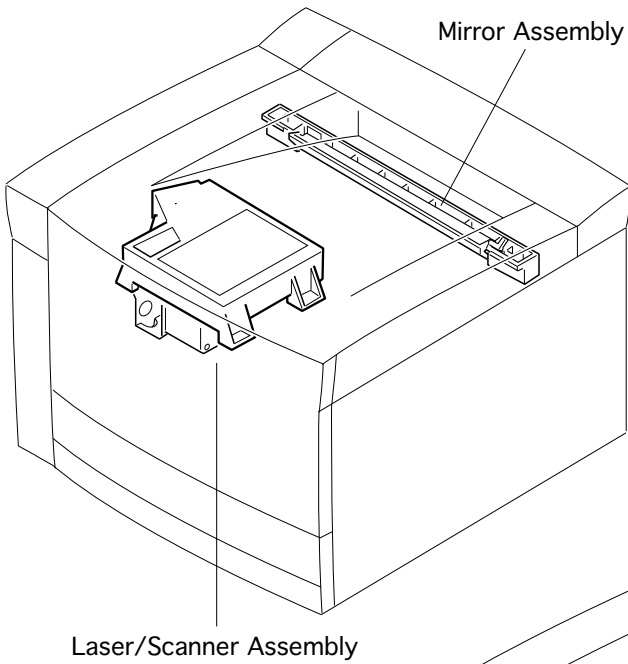
- Cleaning Blade

- Laser Shutter

Transfer Roller



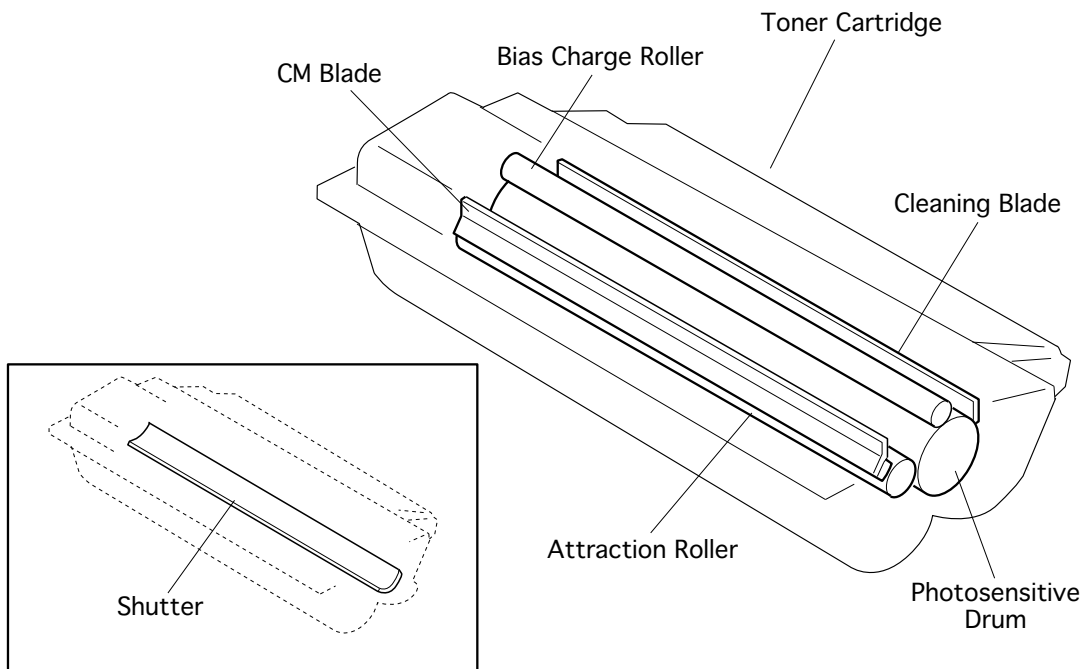
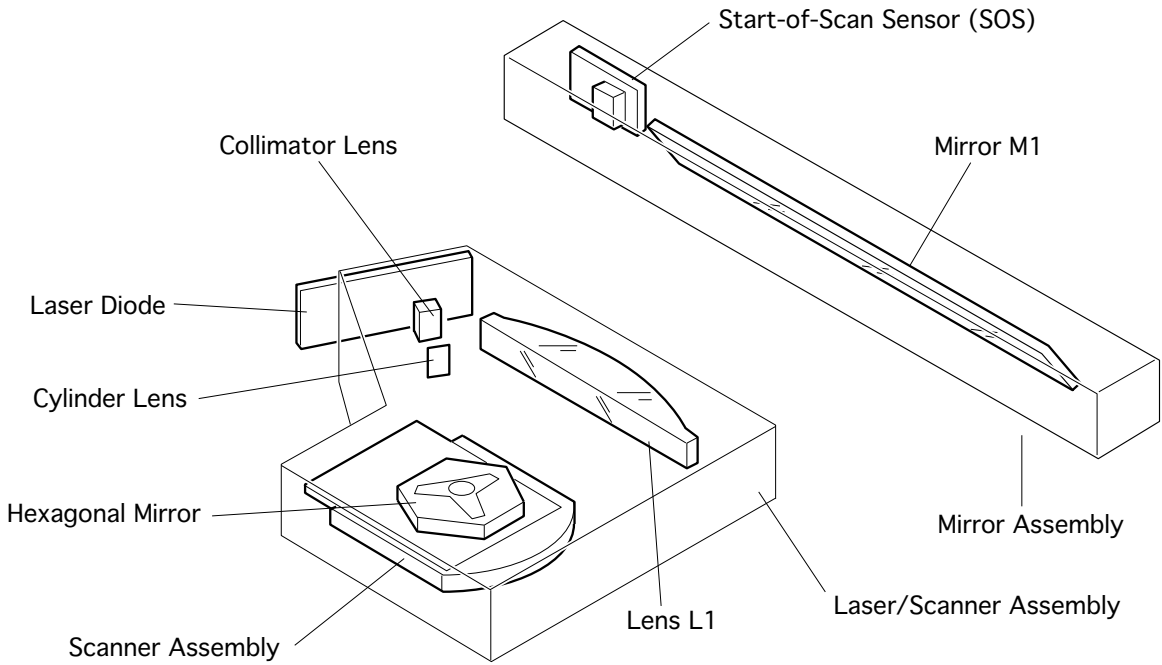
Drive and Xerographic (1 of 2).



Toner Cartridge Latching Mechanism



Drive and Xerographic (2 of 2)





Electrical

Power Supply Assembly

The power supply assembly is a large multifunctional circuit board located in the lower section of the engine. Listed below are its major components.

Low-voltage power supply (LVPS): The LVPS generates stabilized DC voltages of 5 V, 12 V, and 24 V and supplies these voltages to the electrical components of the printer.

High-voltage power supply (HVPS): The HVPS generates AC and DC high voltages for charge, development, transfer, and discharge in the print process. Those voltages are supplied to the bias charge roller, attraction roller, transfer roller, and detack saw.

Interlock switch: This switch opens the supply circuits of 24 VDC and 5 VDC (+B) for driving the laser diode.

Cassette paper-present sensor: This sensor is actuated by the cassette paper-present actuator and detects when the cassette runs out of paper.

Power inlet: The power inlet is hard-wired directly to the circuit board.

DC Controller Board

The DC controller board controls the whole operation of the printer. Listed below are its major functions:

Communication with the I/O board

Collection of the information from the sensors and switches.

Control of the laser/scanner assembly, fuser assembly, drive assemblies, and solenoids.

Control of the print sequence.

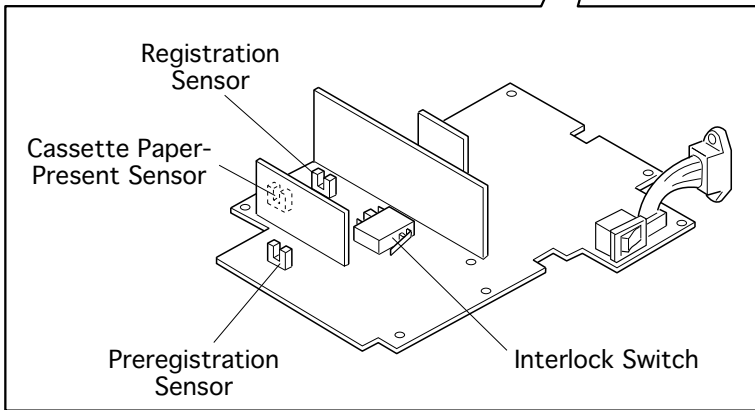
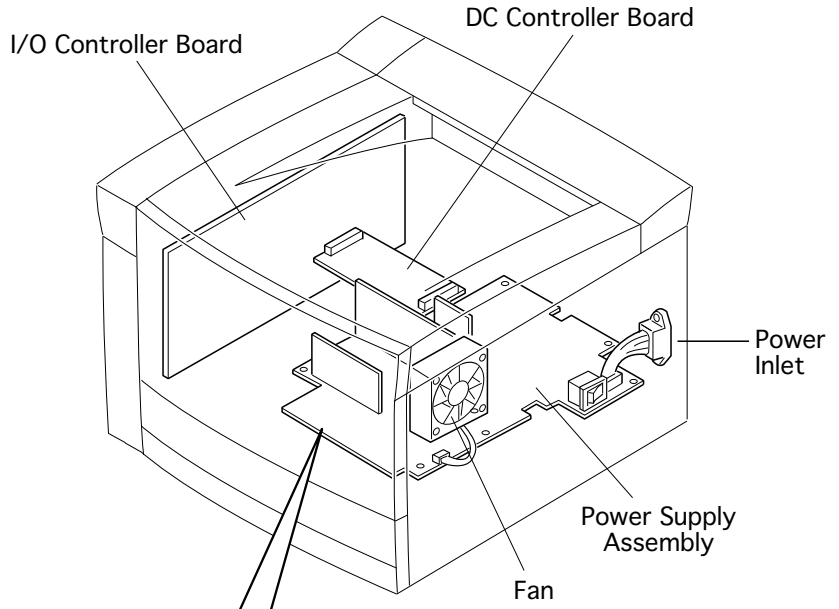
Distribution of the low DC voltages to electrical components from the power supply assembly.

Fan

The fan forces the air out of the printer to prevent overheating. There is only one fan in the LaserWriter 12/640 PS.



Electrical





Frame

When the top cover closes, the seven events described below take place.

Cover Interlock Actuator

Top cover closure actuates the interlock switch on the power supply assembly. There are three components that work together to actuate this switch.

Top cover actuator: The thin plastic post built into the top cover.

Spring-loaded actuator: The vertical assembly that transfers actuation downward.

Actuator arm: The arm that contacts the interlock switch on the power supply assembly.

Laser Shutter

A plastic post built into the top cover extends through a cutout in the top of the laser/scanner assembly. The laser shutter facing the mirror assembly opens, thus allowing the laser beam to leave the laser/scanner assembly.

Mirror Assembly Shutter

A plastic post built into the top cover presses open the shutter that covers the mirror assembly. Unless this shutter and the one above are in an open position, the laser can not reach the photosensitive drum.

Cover Latch

Two latches on the chassis hook onto the underside of the cover to assure tight closure of the cover. The right cover latch has an integral spring-loaded plate that is actuated by the top cover release lever.

Jam Release Plate

The top cover presses against the surface of the jam release plate to the left of the laser/scanner assembly. In a cover-closed position, this plate presses against the preregistration pinch roller assembly, resulting in a tight gripping surface for paper feed. In a cover-open condition, the pinch roller does not grip the paper, thus facilitating removal of paper jams.

Toner Cartridge Latching Mechanism

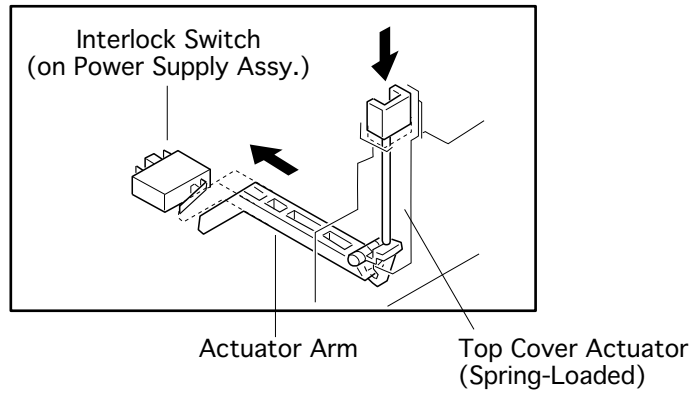
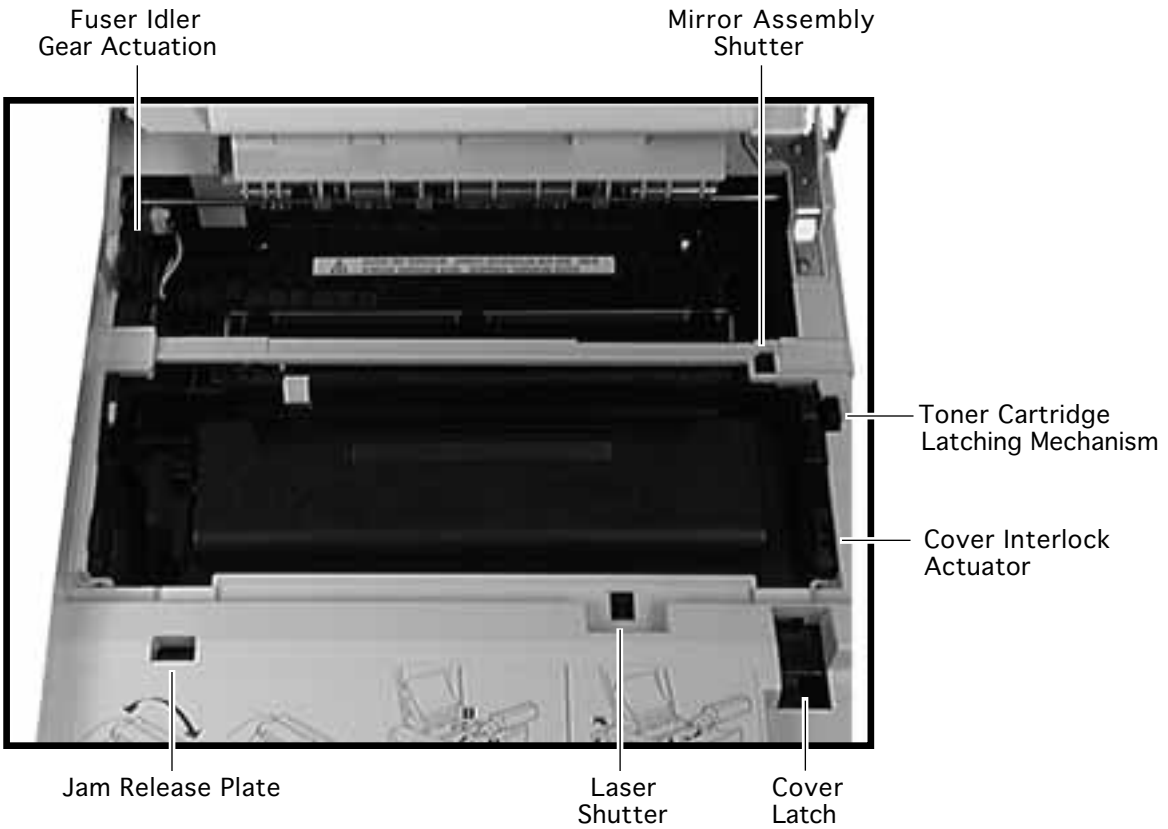
Top cover closure actuates a cam mechanism that presses and stabilizes the toner cartridge. See the "Drive and Xerographic (1 of 2)" illustration.

Fuser Idler Gear Actuation

There is a spring-loaded lever on the drive transfer assembly that controls the position of the fuser idler gear. When the top cover is closed, this lever is pressed, thus completing the drive train to the fuser assembly.

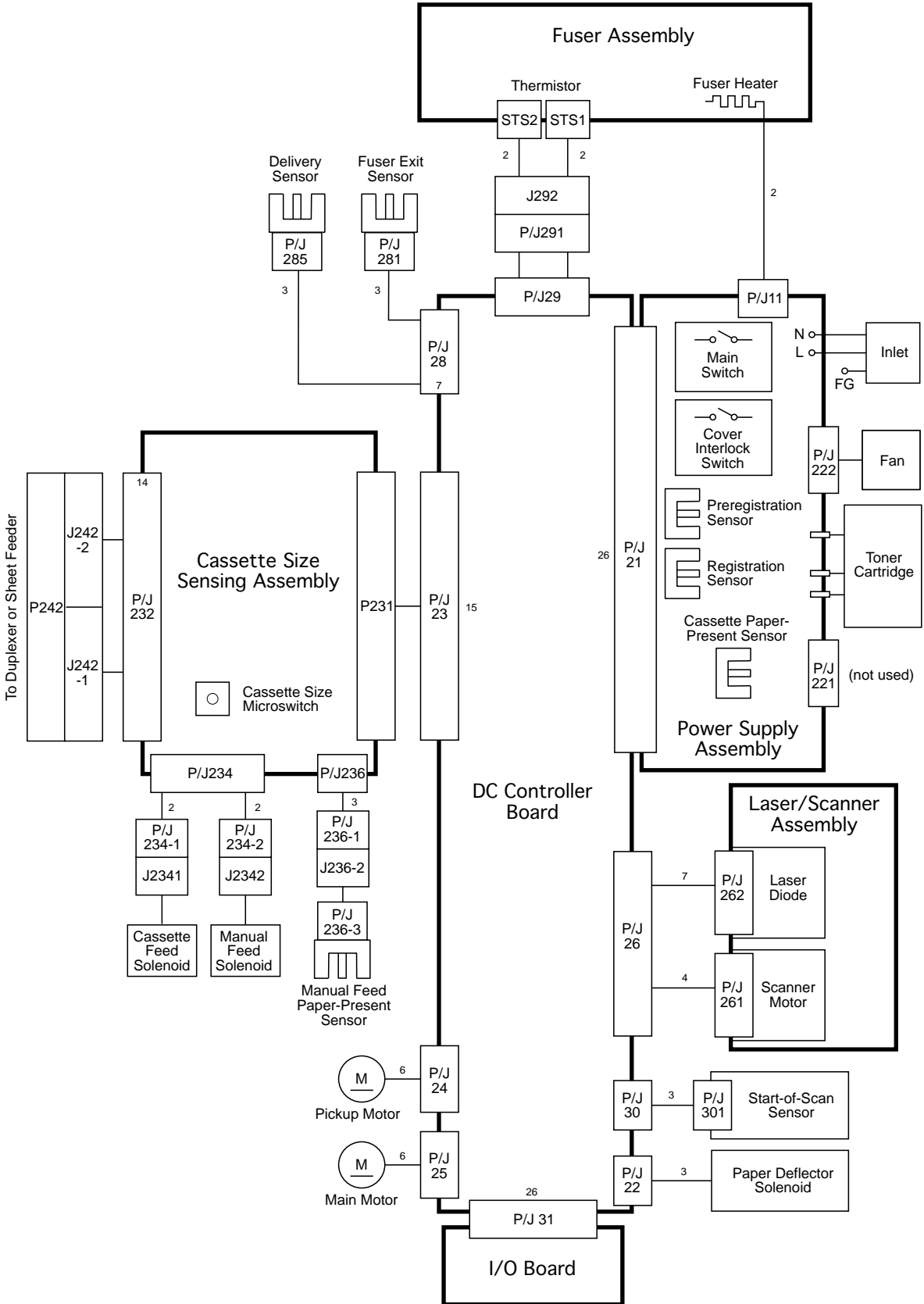


Frame



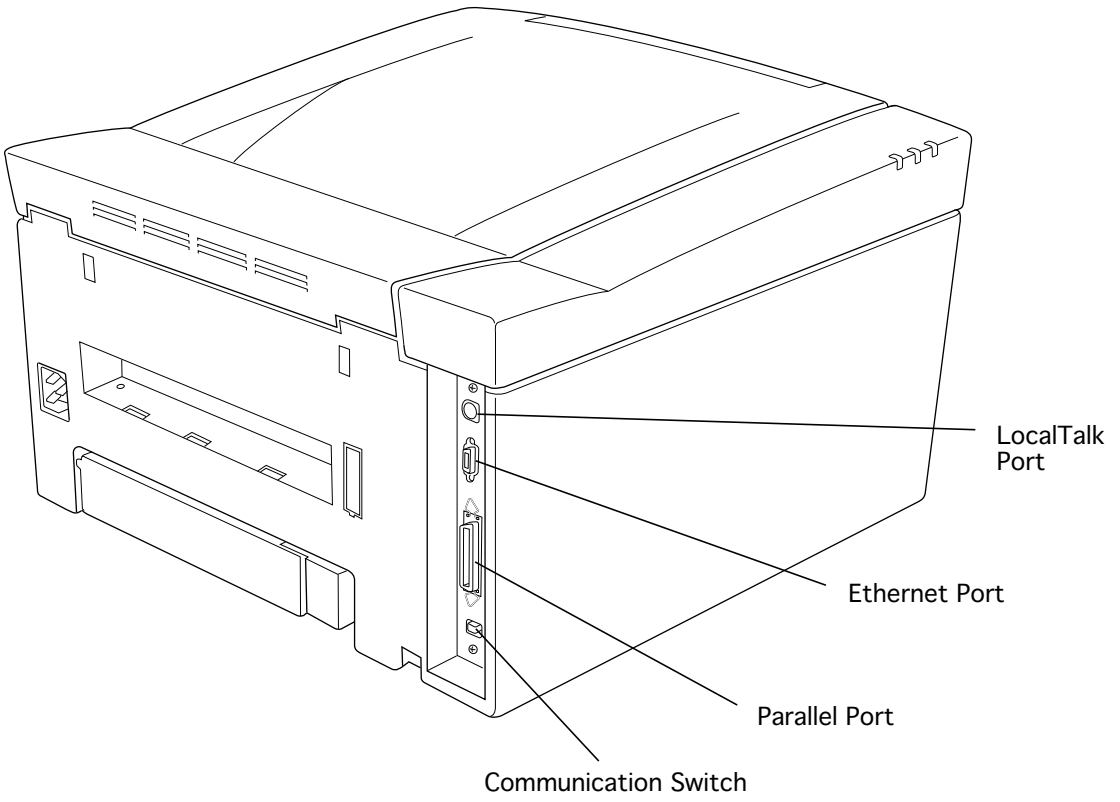


General Wiring Diagram





Ports





Troubleshooting

LaserWriter 12/640 PS





About the Status Panel

The LaserWriter 12/640 PS has a status panel that consists of three LEDs. The status reported through the LEDs is generated by the I/O controller board based upon signals that the board receives from the printer sensing system and other engine monitoring mechanisms. There are two types of reporting.

Ready		
Paper Out		
Paper Jam		

- End-user reporting consists of LED arrays that can be observed by end users without need of special tools. This type of reporting can be broken down into POST and PostScript reporting (see following topics).
- Service technician reporting consists of LED arrays that can only be observed through the use of a special tool. This reporting is also referred to as EPOST (see topic later in this chapter). Whereas end-user reporting can help you in troubleshooting over the phone, EPOST requires that you be at the printer location.





POST (Power-On Self Test)

When you switch on power, all the status panel LEDs illuminate briefly. This confirms that power is getting to the status panel and that all LEDs are operational. All LEDs then extinguish and come back on. This marks the start of POST.

POST is a set of diagnostic procedures that are written into firmware on the I/O controller board. POST executes in the first 10 seconds of startup and checks the following three areas of the printer in order:

- Stage 1 I/O controller (ROM & SIMMs)
- Stage 2 I/O controller (miscellaneous circuitry)
- Stage 3 D/C controller board





POST Example

Stage Failure/POST

POST extinguishes the LEDs from top to bottom as each test stage passes. (The Ready LED is considered here to be the top LED). In a functional printer, the testing process takes about 40 seconds, after which control passes to PostScript code in ROM and the normal warm-up continues (see “PostScript Reporting” in this chapter).

However, if POST detects a fault during any stage, the status panel enters an error state and flashes the bottom two LEDs forever. Making note of the stage from which this error array first appears can help you choose the modules to bring on a service call.

For example, suppose failure occurs during stage two (only the top LED had extinguished before the error array appears). This indicates an I/O board failure, so a replacement board should definitely accompany you on site.





PostScript Reporting


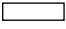


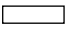

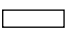


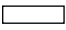





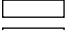





PostScript reporting starts as soon as POST is completed. Most of the time, PostScript will report according to the literal designation of the LED. (For example, the paper-out LED illuminates when the paper cassette is empty). However, there are some instances where closer observation is critical in interpreting the status panel.

- **Solid ready light:** In some cases, the ready light will illuminate for as long as 15 seconds before a PostScript fault is reported. Make sure to wait this extra time for PostScript to execute before shutting down to perform further troubleshooting.
- **Behavior before PostScript error:** As with stage-reporting during POST, it is sometimes necessary to note what occurs **before** the error array first appears. The chart on the following page notes where this is important.





End-User Error Codes

Array	Description	Explanation
  	Ready LED on	Printer is ready
  	Ready LED flashes	Printer is warming up or processing a job ¹ .
  	Paper-Out and Paper-Jam LEDs flash	An error has been detected in POST. Observation of LED behavior prior to this array can isolate the fault to one of three general area (see "POST") ² .
  	All LEDs off	The top cover is open.
  	Paper-Out LED illuminates	No paper or cassette is not installed ³ .
  	Paper-Jam LED illuminates	Paper is jammed in printer or toner cartridge is missing ⁴ .
  	Paper-Jam LED flashes	Laser/scanner assembly error.

- ¹ If the ready LED flashes forever, turn off the printer, disconnect it from the network, and restart the printer. If the flashing does not recur, the problem is most likely with networking or host computer software. If the flashing occurs with a stand-alone printer, a faulty fan may be the problem.
- ² If this array is preceded by the following behavior, the problem is likely with the fuser assembly: ready LED comes on; ready LED flashes; fan comes on; and paper for startup page is picked up but jams in the printer.
- ³ In some cases, this array can result from a faulty scanner motor or main motor.
- ⁴ For some residual paper jams (for example, where a jam exists in the delivery area at time of startup), the printer may exhibit a ready state to the point where the fan will come on and the paper for the startup page is picked up.





EPOST (Extended Power-On Self Test)

EPOST behaves exactly like POST in that it checks the same three areas in the same order and displays an error array if a fault is detected. However, EPOST has more extensive testing and its error arrays are completely different. When a fault is detected during EPOST, all LEDs extinguish and the status panel will loop through the following sequence until you switch off power:

- **All LEDs On** for approximately one second
- **All LEDs Off** for approximately one second
- **EPOST Error Code** for approximately one second
- **All LEDs Off** for approximately two seconds, then repeat loop

If no error is detected by EPOST, an EPOST test page will print before control is passed on to the PostScript interpreter (if a duplex unit is attached, two double-sided pages will print).





Initiating EPOST

To initiate EPOST, you must have the printer rollback test plug (P/N 922-1489). This test plug is colored bright green to differentiate it from the older version black plug. Do not use the black plug on the LaserWriter 12/640 PS. It won't harm anything; it just won't work.

Switch off the printer and install the test plug into the LocalTalk port on the back of the I/O controller board. Switch the printer back on.





Stage Failure/EPOST

An EPOST error code can either illuminate solidly (for I/O controller failures) or flash (for engine failures). The chart on the next page shows the possible error arrays. The “EPOST Example” animations demonstrate two of the combinations.



EPOST Example 1



EPOST Example 2

The “Example 1” animation simulates an I/O board error. Notice how the EPOST announcement sequence (all LEDs on for a second then all LEDs off for a second) is followed by a paper jam LED that illuminates solidly for about a second.



The “Example 2” animation simulates a DC controller board error. Notice how the EPOST announcement sequence is followed by a paper jam LED that flashes for about a second.





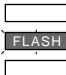

EPOST Error Codes



All LEDs on for a second, then off for a second, followed by a one-second display of...

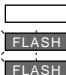



 ...Solid Jam LED
 = I/O Controller Board Error





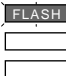
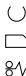
 ...Flashing Jam LED
 = DC Controller Board Error

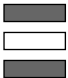



 ...Flashing Out LED
 = Fuser Assembly Error

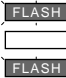



 ...Solid Jam & Out LEDs
 = ROM (I/O Controller) Error





 ...Flashing Jam & Out LEDs
 = Laser/Scanner Error

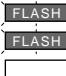



 ...Solid Ready LED
 = General SIMM Error





 ...Flashing Ready LED
 = Fan Error



 ...Solid Ready & Jam LEDs
 = SIMM (A/B) Error



 ...Flashing Ready & Jam LEDs
 = Miscellaneous Engine Error*



 ...Solid Ready & Out LEDs
 = SIMM (C/D) Error



 ...Flashing Ready & Out LEDs
 = Duplexer Error



 ...All Three LEDs Flashing
 = Toner Cartridge Missing

* Miscellaneous engine error includes paper jams, top lid open, missing paper cassette, no paper, or duplexer open.

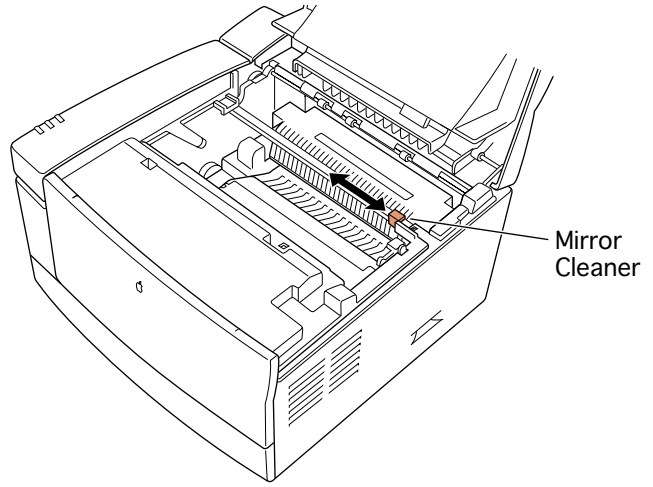
Note: Always check for paper jams when a miscellaneous engine error occurs. Many times paper is picked up to do a test print and an error occurs. When you restart, the test will detect the paper jam first if the jam has not been removed.





Cleaning the Mirror

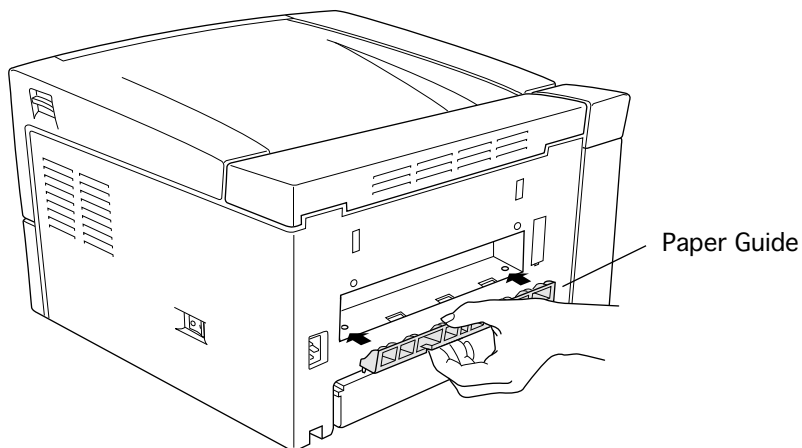
There is a small peach-colored square cleaner built into the mirror assembly. Slide this square back and forth to remove particles from the mirror.





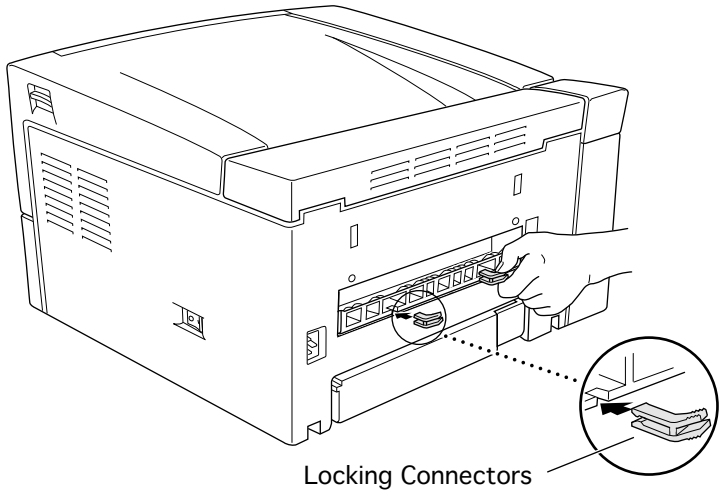
Duplexer Jams

The paper guide provided with the duplexer **must** be installed during setup. (Refer users to page 137 of the user manual). If you





fail to install this guide properly, jamming will frequently occur as paper enters the duplexer from the printer. Be sure that the two locking connectors are also fully snapped into place.





If accordion-style jamming still occurs in the duplexer after proper installation of the paper guide, replace the vertical duplexer assembly (P/N 922-2001)





Printing with 8.3 Driver

For purposes of troubleshooting paper feed, you can print with the LaserWriter 8.3 driver from Mac OS computers. Simply copy the PPD for the LaserWriter 12/640 PS into the Printer Descriptions folder in the System Folder, select the printer through the Chooser, and click on Setup.

You can print duplex jobs by clicking on the Options button in the print dialog and making the appropriate selection. However, you cannot print to the face-up tray with the 8.3 driver.

Note: The LaserWriter 12/640 PS PPD is available on the June 1996 Service Source CD (path: Service Source:Service Manuals:Clips).





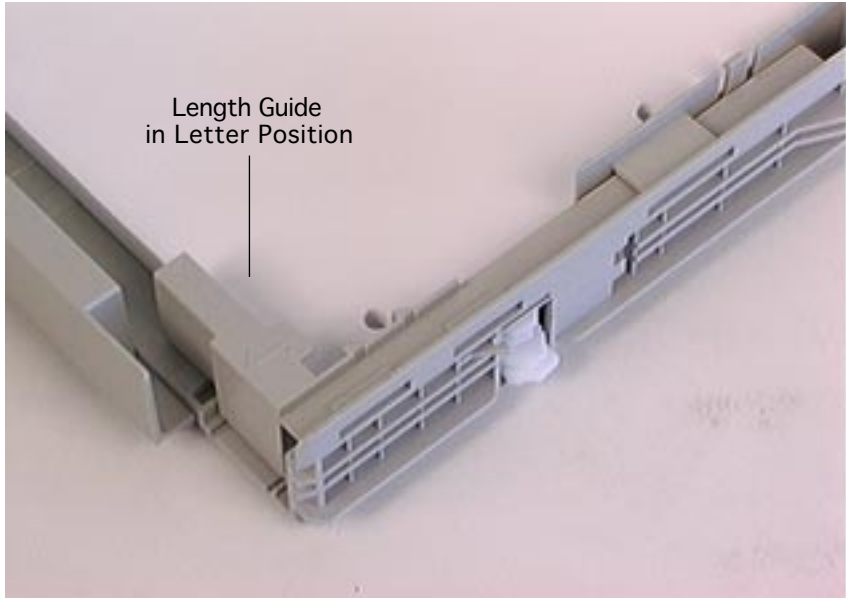
Out of Paper in Multipurpose Tray

If you are trying to print from the standard cassette and get an error message saying that there is no paper in the multipurpose tray, the problem may be in cassette setup.

There is a paper-length guide at the end of the cassette that must be adjusted for letter size paper (the position as shipped is for A4 paper). When the AutoSelect feature built into PostScript searches for letter size paper, the cassette will be passed over and the controller assumes that the paper should be in the multipurpose tray.

To rectify this situation, make sure that the length guide is adjusted for letter size paper.







Multipurpose Tray Paper Jams

There have been a number of reported problems with the multipurpose tray and its associated components. In the process of resolving these problems, service providers may inadvertently dislocate the solenoid flapper or actuator that is responsible for releasing the multipurpose tray paper pickup roller so that it can complete its paper pickup cycle. When this occurs the paper pickup roller rotates constantly resulting in paper jams (if paper is present) and annoying noises whenever the printer is being used. Correcting the problem requires a service call.

Refer to the [Multipurpose Tray Paper Jams pdf.](#) file in this chapter for the repair procedure.





False Paper Jam Error with Startup Page

Symptom: A false paper jam error occurs when the LaserWriter 12/640 tries to print the startup page. No paper is picked up. EPOST reports a DC Controller error. When the DC controller board is replaced, the problem remains. Upon initiating a service test print, the motor will spin for about a second and then will stop with no test page output.

Discussion: Observe the pickup solenoid through the small hole in the shield that covers the pickup drive assembly, and initiate a service test print. You should see the pickup motor spin, and about a second later see the solenoid trigger. If it does not, you either have a bad solenoid, bad cassette size sensor board, or a bad cable that runs between the solenoid and the sensor board. In the case of the bad cassette size sensor board, it can cause EPOST to display a DC controller error.





Image Quality Problems

It can be easily determined whether an image quality problem is being caused by the print engine or by the I/O controller board by producing a service test page. The service test page can be generated by jumpering the two pins of connector J101 on the I/O controller board.

If the test page is normal, but the regular prints have an image quality problem, the problem is probably with the I/O controller board. If the test print has also the image quality problem, the problem is probably in the print engine.

When troubleshooting an image problem, produce a test print using letter size or A4 paper, exactly identify the symptom, and isolate the problem by referencing the accompanying troubleshooting tables.

If the tables do not lead you to a solution to the problem, examine each part listed in the initial analysis of the table corresponding to the problem. The fault is probably among those parts. Replace the part or parts that in your judgment will most likely resolve the problem.

Roller Diameters

For a listing of the diameters of the rollers in the LaserWriter 12/640 PS, see page 13 in the Principles of Operation chapter. Knowing these diameters can assist in troubleshooting repetitive horizontal print defects.

List of Troubleshooting Tables

The troubleshooting tables cover the following typical fourteen image quality problems:

- Table P-1 Light Prints
- Table P-2 Blank Prints
- Table P-3 Black Prints
- Table P-4 Vertical Band Deletions
- Table P-5 Horizontal Band Deletions
- Table P-6 Vertical Streaks
- Table P-7 Horizontal Streaks
- Table P-8 Spot Deletions
- Table P-9 Spots
- Table P-10 Residual Image
- Table P-11 Background
- Table P-12 Skewed Image
- Table P-13 Damaged Prints
- Table P-14 Unfused Image
- Table P-15 No PhotoGrade
- Table P-16 No Duplex Printing
- Table P-17 Duplex Page Upside-Down
- Table P-18 No Multipurpose Tray Printing

Note: Vertical refers to the direction of paper travel. Horizontal refers to the direction perpendicular to the direction of paper travel.



P-1 Light Prints



Problem

The overall image density is lighter than normal.

Initial Analysis

Inspect the following components. Are they compatible with your printer version, correctly installed, not damaged, deformed or contaminated, or free of foreign objects sticking?

- Toner Cartridge
- Mirror Assembly
- Fuser Assembly
- Top Cover
- Power Supply Assy
- Laser/Scanner Assy
- Fuser Pressure Roller
- Transfer Roller Assy
- DC Controller Board
- Static Eliminator

Step	Actions and Questions	Action (When There Is Problem)
1	Paper conditions (moisture, warp, etc.) Is the problem solved if you use new sheets of paper?	Replace the paper. Advise the customer to stock paper in a dry place.
2	Toner cartridge Is the problem solved by replacing the toner cartridge with a new one?	Replace the toner cartridge.
3	Dirty reflecting mirror Is the problem solved if you use the peach-colored slider (built into the mirror assembly) to wipe the mirror clean?	Clean the mirror.
4	Drum ground Is the toner cartridge drum grounded securely? * Check the drum ground path: drum > drum shaft pin >	Restore the continuity of the drum ground path.
5	Laser beam path Are there obstructions or contamination on the laser beam path from the laser/scanner assembly to the Drum?	Remove the obstructions or contamination.
6	Transfer roller assembly Are there foreign objects or contamination on the roller portion of the transfer roller assembly?	Replace the transfer roller assembly.
7	Charging and development Is the toner image on the drum normally developed? * Switch off the printer power while the development is in progress, and visually check the toner image on the drum (the area upstream of the transfer step).	Go to FIP-2.18 Power Supply Assy (HV part) failure.
8	Transfer Is the toner image on the drum transferred normally on the paper? * Switch off the printer power while the transfer is in progress, and visually check the toner image on the drum.	Go to FIP-2.18 Power Supply Assy (HV part) failure.



P-2 Blank Prints



Problem

The entire print is blank.

Initial Analysis

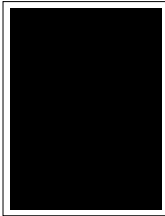
Inspect the following components. Are they compatible with your printer version, correctly installed, not damaged, deformed or contaminated, or free of foreign objects sticking?

- Toner Cartridge
- Mirror Assembly
- Fuser Assembly
- Top Cover
- Power Supply Assy
- Laser/Scanner Assy
- Fuser Pressure Roller
- Transfer Roller Assy
- DC Controller Board
- Static Eliminator

Step	Actions and Questions	Action (When There Is Problem)
1	Toner cartridge Is the problem solved by replacing the toner cartridge with a new one?	Replace the toner cartridge.
2	Drum ground Is the toner cartridge drum grounded securely? * Check the drum ground path: drum > drum shaft pin >	Restore the continuity of the drum ground path.
3	Laser beam path Are there obstructions or contamination on the laser beam path from the laser/scanner assembly to the Drum?	Remove the obstructions or contamination.
4	Transfer roller assembly Are there foreign objects or contamination on the roller portion of the transfer roller assembly?	Replace the transfer roller assembly.
5	Charging and development Is the toner image on the drum normally developed? * Switch off the printer power while the development is in progress, and visually check the toner image on the drum (the area upstream of the transfer step).	Go to FIP-2.18 HV failure.
6	Transfer Is the toner image on the drum transferred normally on the paper? * Switch off the printer power while the transfer is in progress, and visually check the toner image on the drum.	Go to FIP-2.18 Power Supply Assy (HV part) failure.



P-3 Black Prints



Problem

The entire print is black.

Initial Analysis

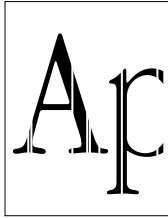
Inspect the following components. Are they compatible with your printer version, correctly installed, not damaged, deformed or contaminated, or free of foreign objects sticking?

- Toner Cartridge
- Mirror Assembly
- Fuser Assembly
- Top Cover
- Power Supply Assy
- Laser/Scanner Assy
- Fuser Pressure Roller
- Transfer Roller Assy
- DC Controller Board
- Static Eliminator

Step	Actions and Questions	Action (When There Is Problem)
1	Toner cartridge Is the problem solved by replacing the toner cartridge with a new one?	Replace the toner cartridge.
2	Charging Use a sheet of paper to cover the window through which the laser beam is emitted from the laser/scanner assembly. Does the problem still occur?	Replace power supply assembly. If problem persists, replace DC controller board.
3	Laser/scanner assy Use a sheet of paper to cover half of the window through which the laser beam is emitted from the laser/scanner assembly. Does the problem still occur?	Replace laser/scanner assembly. If problem persists, replace DC controller board.



P-4 Vertical Band Deletions



Problem

There are areas of the image that are extremely light or missing entirely. These missing areas form wide bands that run vertically along the page, in the direction of paper travel.

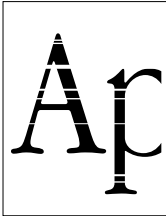
Initial Analysis

Inspect the following components. Are they compatible with your printer version, correctly installed, not damaged, deformed or contaminated, or free of foreign objects sticking?

- Toner Cartridge
- Mirror Assembly
- Fuser Assembly
- Top Cover
- Power Supply Assy
- Laser/Scanner Assy
- Fuser Pressure Roller
- Transfer Roller Assy
- DC Controller Board
- Static Eliminator

Step	Actions and Questions	Action (When There Is Problem)
1	Dirty reflecting mirror Is the problem solved if you use the peach-colored slider (built into the mirror assembly) to wipe the mirror clean?	Clean the mirror.
2	Paper conditions (moisture, warp, etc.) Is the problem solved if you use new sheets of paper?	Replace the paper. Advise the customer to stock paper in a dry place.
3	Toner cartridge Is the problem solved by replacing the toner cartridge with a new one?	Replace the toner cartridge.
4	Paper usability If the problem still occurs after the toner cartridge is replaced, again replace the toner cartridge with another new one, and replace paper with standard paper. Is the problem solved? * When acid paper is used, this problem may occur because of a component of paper.	Replace paper with standard paper.
5	Paper path Are there obstructions such as burrs or objects or contamination on the paper path?	Remove the obstructions or replace the component.
6	Laser beam path Are there obstructions or contamination on the laser beam path from the laser/scanner assembly to the Drum?	Remove the obstructions or contamination.
7	Transfer roller assembly Are there foreign objects or contamination on the roller portion of the transfer roller assembly?	Replace the transfer roller assembly.
7	Fuser heater roller and fuser pressure roller Are there scratches, contamination, or foreign objects on the fuser heater roller or the fuser pressure roller?	Replace the roller.

P-5 Horizontal Band Deletions



Problem

There are areas of the image that are extremely light or missing entirely. These missing areas form wide bands that run horizontally across the page and parallel with the direction of paper travel.

Initial Analysis

Inspect the following components. Are they compatible with your printer version, correctly installed, not damaged, deformed or contaminated, or free of foreign objects sticking?

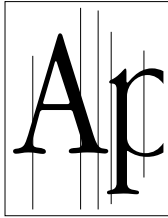
- Toner Cartridge
- Mirror Assembly
- Fuser Assembly
- Top Cover
- Power Supply Assy
- Laser/Scanner Assy
- Fuser Pressure Roller
- Transfer Roller Assy
- DC Controller Board
- Static Eliminator

Step	Actions and Questions	Action (When There Is Problem)
1	Paper conditions (moisture, warp, etc.) Is the problem solved if you use new sheets of paper?	Replace the paper. Advise the customer to stock paper in a dry place.
2	Toner cartridge Is the problem solved by replacing the toner cartridge with a new one?	Replace the toner cartridge.
3	Charging and development Is the toner image on the drum normally developed? * Switch off the printer power while the development is in progress, and visually check the toner image on the drum (the area upstream of the transfer step).	Replace power supply assembly. If problem persists, replace DC controller board.
4	Main drive assembly and drive transfer assembly Does each gear of the drive assemblies rotate normally? * Remove the fuser assembly and the toner cartridge. Rotate the gear above at the rear of the drive assembly by hand in the rearward direction. Visually check the rotation of the gears.	Replace the drive assembly.
5	Registration roller assembly Does the registration roller assembly rotate normally? * Open the cover and remove the toner cartridge. Rotate the registration roller by hand.	Replace the registration roller assembly.
6	Fuser assembly Do the fuser heater roller and gears of the fuser assembly rotate normally? * Remove the fuser assembly. Rotate the fuser heater roller gear by hand and check their rotation by eye.	Replace the fuser assembly.
7	Transfer roller assembly Are there foreign objects or contamination on the roller portion of the transfer roller assembly?	Replace the transfer roller assembly.



Step	Actions and Questions	Action (When There Is Problem)
8	Transfer Is the toner image on the drum transferred normally on the paper? * Switch off the printer power while the transfer is in progress, and visually check the toner image on the drum.	Replace power supply assembly. If problem persists, replace DC controller board.
9	Fuser heater roller and fuser pressure roller Are there scratches, contamination, or foreign objects on the fuser heater roller or the fuser pressure roller?	Replace the roller.

P-6 Vertical Streaks



Problem

There are black lines running vertically along the page.

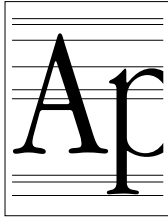
Initial Analysis

Inspect the following components. Are they compatible with your printer version, correctly installed, not damaged, deformed or contaminated, or free of foreign objects sticking?

- Toner Cartridge
- Mirror Assembly
- Fuser Assembly
- Top Cover
- Power Supply Assy
- Laser/Scanner Assy
- Fuser Pressure Roller
- Transfer Roller Assy
- DC Controller Board
- Static Eliminator

Step	Actions and Questions	Action (When There Is Problem)
1	Toner cartridge Is the problem solved by replacing the toner cartridge with a new one?	Replace the toner cartridge.
2	Paper path Are there obstructions such as burrs or objects or contamination on the paper path?	Remove the obstructions or replace the component.
3	Laser beam path Are there obstructions or contamination on the laser beam path from the laser/scanner assembly to the Drum?	Remove the obstructions or contamination.
4	Laser/scanner assy Use a sheet of paper to cover the window through which the laser beam is emitted from the laser/scanner assembly. Does the problem still occur?	Replace laser/scanner assembly. If problem persists, replace DC controller board.
5	Transfer roller assembly Are there foreign objects or contamination on the roller portion of the transfer roller assembly?	Replace the transfer roller assembly.
6	Fuser heater roller and fuser pressure roller Are there scratches, contamination, or foreign objects on the fuser heater roller or the fuser pressure roller?	Replace the roller.

P-7 Horizontal Streaks



Problem

There are black lines running horizontally across the page.

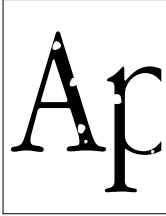
Initial Analysis

Inspect the following components. Are they compatible with your printer version, correctly installed, not damaged, deformed or contaminated, or free of foreign objects sticking?

- Toner Cartridge
- Mirror Assembly
- Fuser Assembly
- Top Cover
- Power Supply Assy
- Laser/Scanner Assy
- Fuser Pressure Roller
- Transfer Roller Assy
- DC Controller Board
- Static Eliminator

Step	Actions and Questions	Action (When There Is Problem)
1	Toner cartridge Is the problem solved by replacing the toner cartridge with a new one?	Replace the toner cartridge.
2	Drum ground Is the toner cartridge drum grounded securely? * Check the drum ground path: drum > drum shaft pin >	Restore the continuity of the drum ground path.
3	Charging Use a sheet of paper to cover the window through which the laser beam is emitted from the laser/scanner assembly. Does the problem still occur?	Replace power supply assembly. If problem persists, replace DC controller board.
4	Charging and development Is the toner image on the drum normally developed? * Switch off the printer power while the development is in progress, and visually check the toner image on the drum (the area upstream of the transfer step).	Replace power supply assembly. If problem persists, replace DC controller board.
5	Transfer roller assembly Are there foreign objects or contamination on the roller portion of the transfer roller assembly?	Replace the transfer roller assembly.
6	Fuser heater roller and fuser pressure roller Are there scratches, contamination, or foreign objects on the fuser heater roller or the fuser pressure roller?	Replace the roller.

P-8 Spot Deletions



Problem

There are areas of the images that are extremely light or missing entirely. These missing areas form spots that are localized to small areas of the page.

Initial Analysis

Inspect the following components. Are they compatible with your printer version, correctly installed, not damaged, deformed or contaminated, or free of foreign objects sticking?

- Toner Cartridge
- Laser/Scanner Assy
- Fuser Pressure Roller
- Power Supply Assy
- Mirror Assembly
- Transfer Roller Assembly
- Fuser Assembly

Step	Actions and Questions	Action (When There Is Problem)
1	Paper conditions (moisture, warp, etc.) Is the problem solved if you use new sheets of paper?	Replace the paper. Advise the customer to stock paper in a dry place.
2	Charging and development Is the toner image on the drum normally developed? * Switch off the printer power while the development is in progress, and visually check the toner image on the drum (the area upstream of the transfer step).	Replace power supply assembly. If problem persists, replace DC controller board.
3	Transfer roller assembly Are there foreign objects or contamination on the roller portion of the transfer roller assembly?	Replace the transfer roller assembly.
4	Fuser heater roller and fuser pressure roller Are there scratches, contamination, or foreign objects on the fuser heater roller or the fuser pressure roller?	Replace the roller.
5	Toner cartridge Is the problem solved by replacing the toner cartridge with a new one?	Replace the toner cartridge.

P-9 Spots



Problem

There are spots of toner all over the page.

Initial Analysis

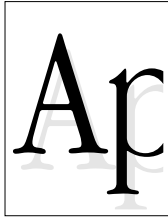
Inspect the following components. Are they compatible with your printer version, correctly installed, not damaged, deformed or contaminated, or free of foreign objects sticking?

- Toner Cartridge
- Laser/Scanner Assy
- Fuser Pressure Roller
- Power Supply Assy
- Mirror Assembly
- Transfer Roller Assembly
- Fuser Assembly

Step	Actions and Questions	Action (When There Is Problem)
1	Paper conditions (moisture, warp, etc.) Is the problem solved if you use new sheets of paper?	Replace the paper. Advise the customer to stock paper in a dry place.
2	Charging and development Is the toner image on the drum normally developed? * Switch off the printer power while the development is in progress, and visually check the toner image on the drum (the area upstream of the transfer step).	Replace power supply assembly. If problem persists, replace DC controller board.
3	Transfer roller assembly Are there foreign objects or contamination on the roller portion of the transfer roller assembly?	Replace the transfer roller assembly.
4	Fuser heater roller and fuser pressure roller Are there scratches, contamination, or foreign objects on the fuser heater roller or the fuser pressure roller?	Replace the roller.
5	Toner cartridge Is the problem solved by replacing the toner cartridge with a new one?	Replace the toner cartridge.



P-10 Residual Image



Problem

There are ghosted images appearing on the page.

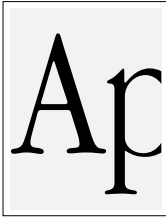
Initial Analysis

Inspect the following components. Are they compatible with your printer version, correctly installed, not damaged, deformed or contaminated, or free of foreign objects sticking?

- Toner Cartridge
- Mirror Assembly
- Fuser Assembly
- Top Cover
- Power Supply Assy
- Laser/Scanner Assy
- Fuser Pressure Roller
- Transfer Roller Assy
- DC Controller Board
- Static Eliminator

Step	Actions and Questions	Action (When There Is Problem)
1	Paper conditions (moisture, warp, etc.) Is the problem solved if you use new sheets of paper?	Replace the paper. Advise the customer to stock paper in a dry place.
2	Charging and development Is the toner image on the drum normally developed? * Switch off the printer power while the development is in progress, and visually check the toner image on the drum (the area upstream of the transfer step).	Replace power supply assembly. If problem persists, replace DC controller board.
3	Transfer roller assembly Are there foreign objects or contamination on the roller portion of the transfer roller assembly?	Replace the transfer roller assembly.
4	Fuser heater roller and fuser pressure roller Are there scratches, contamination, or foreign objects on the fuser heater roller or the fuser pressure roller?	Replace the roller.
5	Toner cartridge Is the problem solved by replacing the toner cartridge with a new one?	Replace the toner cartridge.
6	Is the problem solved by changing the image printed or the vertical-and-horizontal orientation of the image?	Since this phenomenon is inevitable, advise the customer to change the image printed or the vertical-and-horizontal orientation of the image.

P-11 Background



Problem

There is toner contamination on all or part of the page. The contamination appears as a very light gray dusting.

Initial Analysis

Inspect the following components. Are they compatible with your printer version, correctly installed, not damaged, deformed or contaminated, or free of foreign objects sticking?

- Toner Cartridge
- Power Supply Assy
- Laser/Scanner Assy
- Mirror Assembly
- DC Controller Board
- Fuser Assembly

Step	Actions and Questions	Action (When There Is Problem)
1	Charging and development Is the toner image on the drum normally developed? * Switch off the printer power while the development is in progress, and visually check the toner image on the drum (the area upstream of the transfer step).	Replace power supply assembly. If problem persists, replace DC controller board.
2	Chute assembly BTR ground Is the chute assembly bias transfer roller grounded securely?	Restore the continuity of the chute assembly BTR ground.
3	Fuser assembly ground Is the fuser assembly grounded securely?	Restore the continuity of the fuser assembly ground.
4	Toner cartridge Is the problem solved by replacing the toner cartridge with a new one?	Replace the toner cartridge.

P-12 Skewed Image



Problem

The printed image is not parallel with the sides of the page.

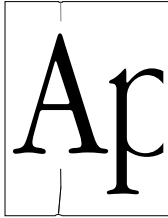
Initial Analysis

Inspect the following components. Are they compatible with your printer version, correctly installed, not damaged, deformed or contaminated, or free of foreign objects sticking?

- Toner Cartridge
- Regist. Roller Assy
- Paper Cassette
- Transfer Roller Assy
- Feeder Unit
- Laser/Scanner Assy
- Fuser Assembly
- Cassette Pickup Roller
- Mirror Assembly

Step	Actions and Questions	Action (When There Is Problem)
1	Paper feed Is the paper cassette installed correctly, and is the paper correctly loaded?	Reload the paper and re-install the cassette.
2	Paper path Are there obstructions such as burrs or foreign objects or contamination on the paper path?	Remove the obstructions or replace the component.
3	Feeder roller Does the feeder roller feed the paper correctly?	Replace the feeder roller.
4	Paper path rollers Are there foreign objects, contamination, or malfunctions on the paper transport rollers?	Remove the obstructions or replace the component.
5	Toner cartridge Is the problem solved by replacing the toner cartridge with a new one?	Replace the toner cartridge.

P-13 Damaged Prints



Problem

The printed page is wrinkled, creased, or torn.

Initial Analysis

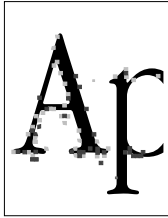
Inspect the following components. Are they compatible with your printer version, correctly installed, not damaged, deformed or contaminated, or free of foreign objects sticking?

- Fuser Assembly
- Transfer Roller Assy
- Cassette Pickup Roller
- Fuser Pressure Roller
- Registration Roller Assy
- Paper Cassette
- Toner Cartridge
- Feeder Unit

Step	Actions and Questions	Action (When There Is Problem)
1	Paper conditions (moisture, warp, etc.) Is the problem solved if you use new sheets of paper?	Replace the paper. Advise the customer to stock paper in a dry place.
2	Fuser heater roller and fuser pressure roller Are there scratches, contamination, or foreign objects on the fuser heater roller or the fuser pressure roller?	Replace the roller.
3	Paper feed Is the paper fed obliquely?	Go to "Skewed Image" table.
4	Paper path Are there obstructions such as burrs or foreign objects, or contamination on the paper path?	Remove the obstructions or replace the component.
5	Paper path rollers Are there foreign objects, contamination, or malfunctions on the paper transport rollers?	Remove the obstructions or replace the component.



P-14 Unfused Image



Problem

The printed image is not fully fused to the paper. The image easily rub off.

Initial Analysis

Inspect the following components. Are they compatible with your printer version, correctly installed, not damaged, deformed or contaminated, or free of foreign objects sticking?

- Fuser Assembly
- Fuser Pressure Roller
- DC Controller Board
- Power Supply Assy

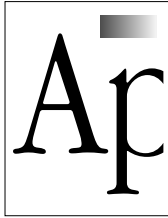
Step	Actions and Questions	Action (When There Is Problem)
1	Paper conditions (moisture, warp, etc.) Is the problem solved if you use new sheets of paper?	Replace the paper. Advise the customer to stock paper in a dry place.
2	Fuser heater roller and fuser pressure roller Are there scratches, contamination, or foreign objects on the fuser heater roller or the fuser pressure roller?	Replace the roller.
3	Fuser assembly Is there a proper pressure between the fuser heater roller and the fuser pressure roller?	Replace the fuser assembly.
4	Paper path Are there obstructions such as burrs or foreign objects, or contamination on the paper path?	Remove the obstructions or replace the component.



P-15 No PhotoGrade

Problem

The printed image is not printing in PhotoGrade.



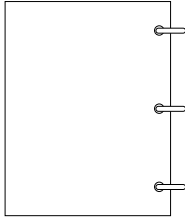
Step	Actions and Questions	Action (When There Is Problem)
1	RAM Upgrade 12 MB of RAM is required to turn on PhotoGrade (20 MB if using the duplex feature). Have you installed the necessary RAM?	Install the RAM.



P-16 No Duplex Printing

Problem

You cannot use the duplex printing option.



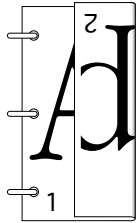
Step	Actions and Questions	Action (When There Is Problem)
1	Driver Are you using the driver version that came with the printer (or later)?	Install the driver.
2	RAM Upgrade 12 MB of RAM is required to use the duplex printing option (20 MB to turn on PhotoGrade). 24 MB is required to do duplex printing with PhotoGrade on legal-size paper. Have you installed the necessary RAM?	Install the RAM.



P-17 Duplex Page Upside-Down

Problem

The back side of a duplex page is printing upside-down.



Step	Actions and Questions	Action (When There Is Problem)
1	Driver Are you choosing the correct binding orientation in the driver?	Make the correct selections.

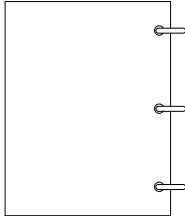
P-18 No Multipurpose Tray Printing

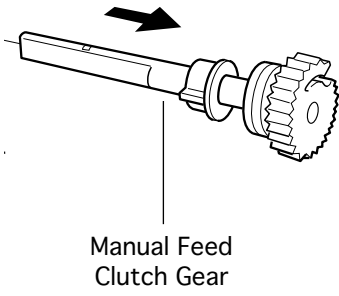
Problem

Paper feed problems from the multipurpose tray.

Other visual/audible symptoms:

- Click from the manual feed solenoid
- No rotation of the manual feed roller
- Pressure plate not rising to create friction against manual feed roller



Step	Actions and Questions	Action (When There Is Problem)
1	<p>Did you recently take apart and possibly separate the Manual Feed Clutch Gear?</p> <div style="text-align: center;">  <p>Manual Feed Clutch Gear</p> </div>	<p>There are two gears on the end of the Manual Feed Clutch Gear. Do not separate the two gears. Separating the gears may cause a small spring inside the gear to fall off, causing the pickup roller not to rotate, resulting in a timeout paper jam. You cannot see this spring unless you separate the two gears on the clutch. Make certain the small spring inside the Manual Feed Clutch Gear has not fallen off the black arm.</p>
2	<p>Did you recently complete the REA process?</p>	<p>See action above.</p>



Upgrades

LaserWriter 12/640 PS





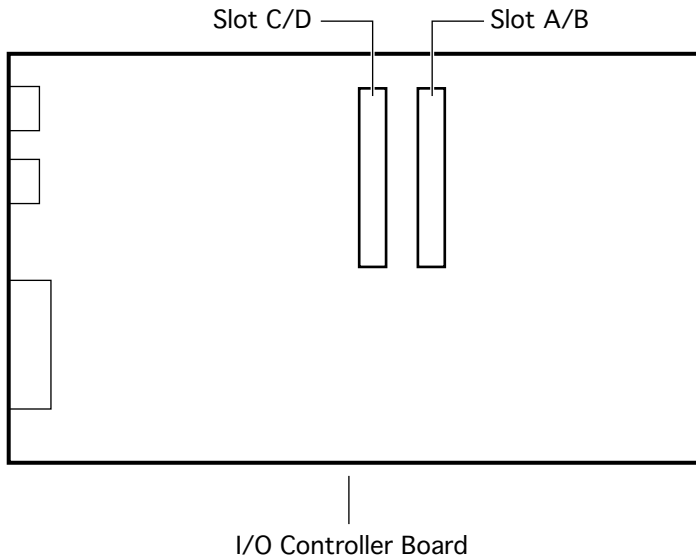
RAM Upgrade

The LaserWriter 12/640 PS comes with 4 MB of RAM, an amount that you can increase up to 64 MB. In addition to font caching and other calculation-oriented factors, increasing RAM is required to enable duplex printing and the PhotoGrade features.

If you want to	You need at least
Use the duplex printing option	12 MB memory
Turn on PhotoGrade	12 MB memory
Use the duplex printing option and turn on PhotoGrade	20 MB memory (24 MB on legal size paper)

The I/O board has two SIMM slots, marked C/D (on the left) and A/B (on the right). The table below lists RAM configurations you can use.





Total	Slot C/D	Slot A/B
4 MB	0 MB	4 MB
8 MB	4 MB	4 MB
8 MB	0 MB	8 MB
12 MB	4 MB	8 MB
12 MB	8 MB	4 MB
16 MB	8 MB	8 MB
16 MB	0 MB	16 MB
20 MB	4 MB	16 MB
24 MB	8 MB	16 MB
32 MB	16 MB	16 MB
32 MB	0 MB	32 MB
36 MB	4 MB	32 MB
40 MB	8 MB	32 MB
48 MB	16 MB	32 MB
48 MB	32 MB	16 MB
64 MB	32 MB	32 MB





Take Apart

LaserWriter 12/640 PS

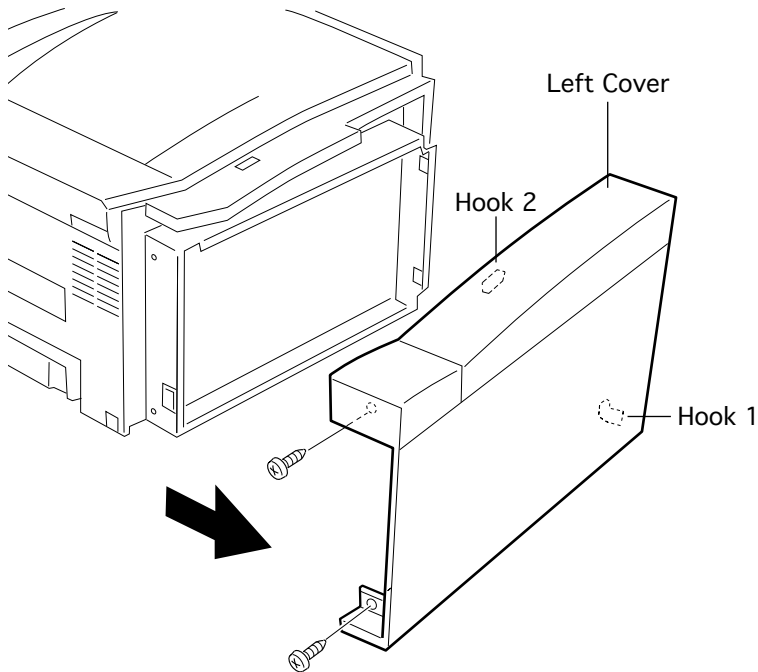




Left Cover

Before you begin, pull out the cassette and open the top cover.

- 1 Remove the two screws which fasten the rear end of the left cover.
- 2 Shift the cover leftward to disengage the hidden hook at the lower right, raise the cover to clear the hidden hook on the top, and pull the cover from the printer.

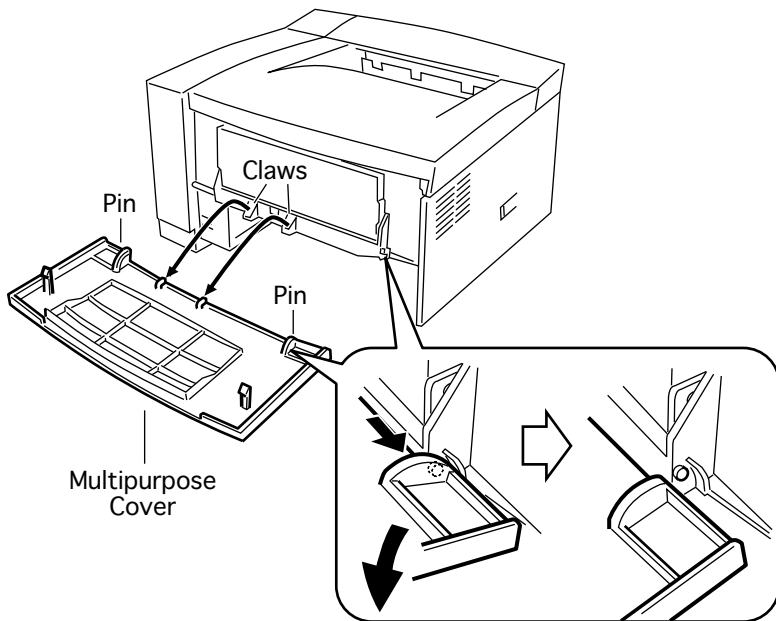




Multipurpose Cover

Before you begin, pull out the cassette.

- 1 Open the multipurpose cover.
- 2 Disengage the pins at both sides in the lower part of the cover and open the cover further to about 90 degrees.
- 3 Disengage the cover from the two claws and pull the cover off the printer.

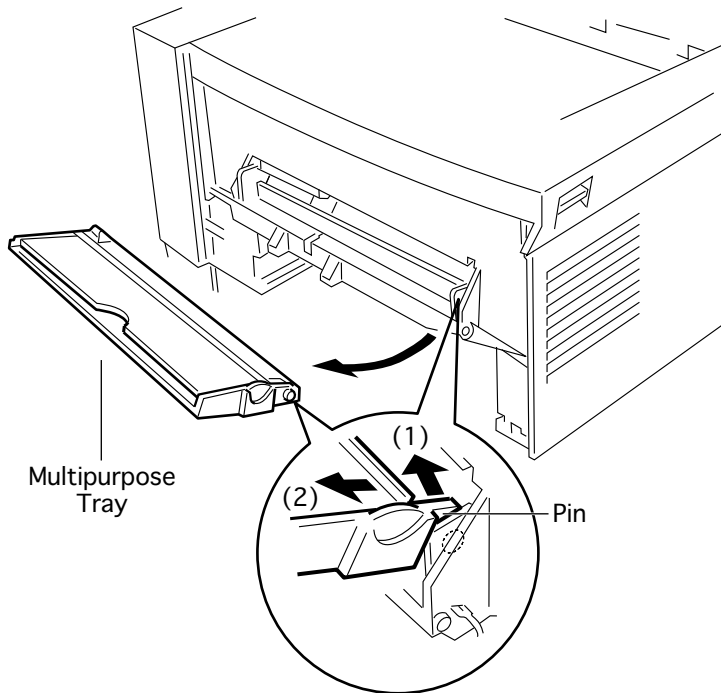


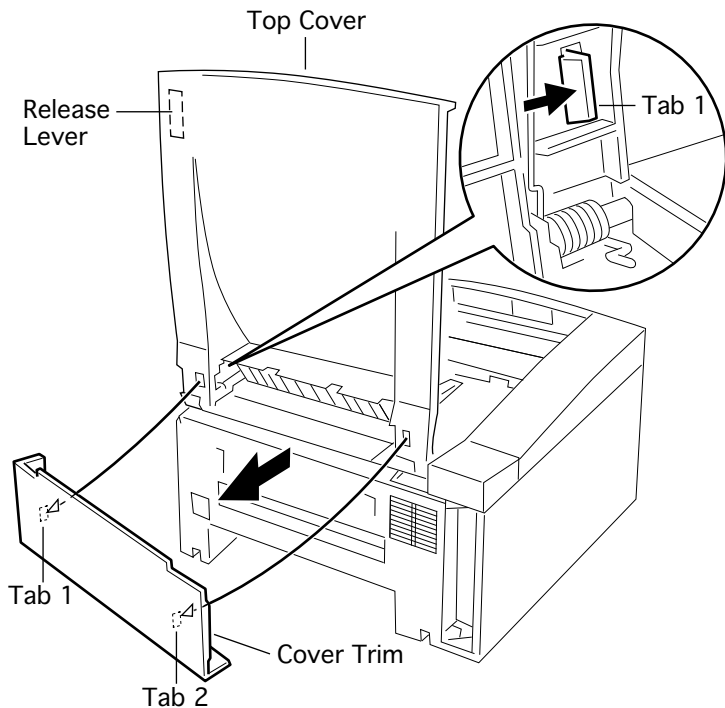


Multipurpose Tray

Before you begin, remove the multipurpose cover.

- 1 Using a small flat-blade screwdriver, release the pin on the right side of the multipurpose tray and pull the tray from the printer.





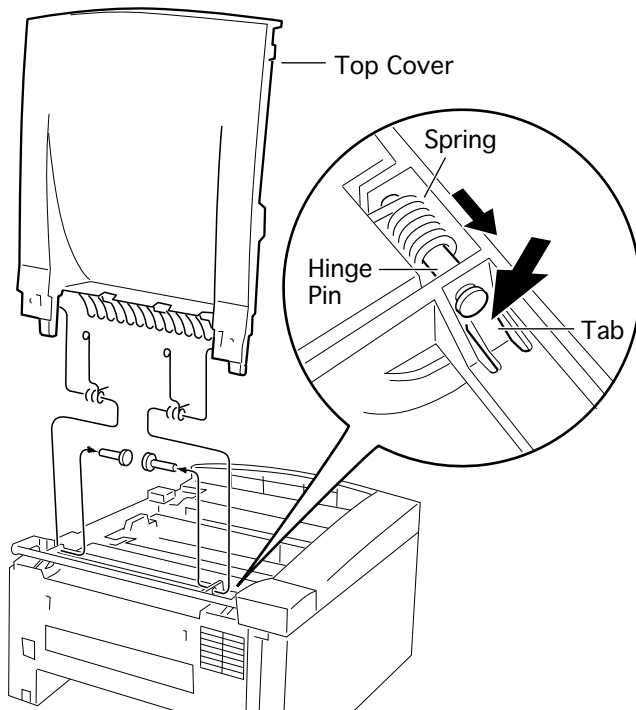
Top Cover

No preliminary steps are required before you begin this procedure.

Note: Perform this procedure only if you must replace the top cover.

- 1 Pull up the cover release and raise the top cover to about 90 degrees.
- 2 Using a small flat-blade screwdriver, release the two tabs and lift the cover trim from the printer. (The cover





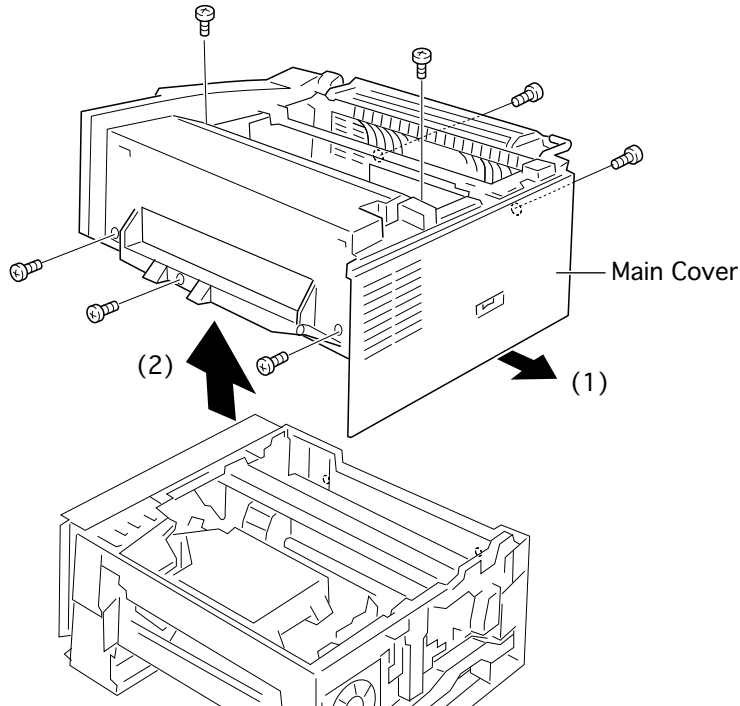
trim is the 13 x 3.75 inch plastic piece above the delivery rollers.)

- 3 Release the tab that retains the right hinge pin and slide the pin out of the printer. Repeat for the left hinge pin.

Note: The two door-open springs referenced below are identical and interchangeable

- 4 Remove the two door-open springs and lift the top cover from the printer.





Main Cover

Before you begin, remove the following:

- Left cover
- Multipurpose cover
- Multipurpose tray

Note: The main cover is a fixed, one-piece housing that consists of the front, rear, and right panels. Seven screws secure the cover to the chassis.

- 1 Remove the three screws on the front side, two screws on the top side, and the two screws on





the rear side that secure the main cover to the chassis.

- 2 Flex outward the edge of the cover just below the power switch and lift the cover straight up from the chassis.

Replacement Note: A slight sideways pull from the I/O side helps seat the cover assembly.





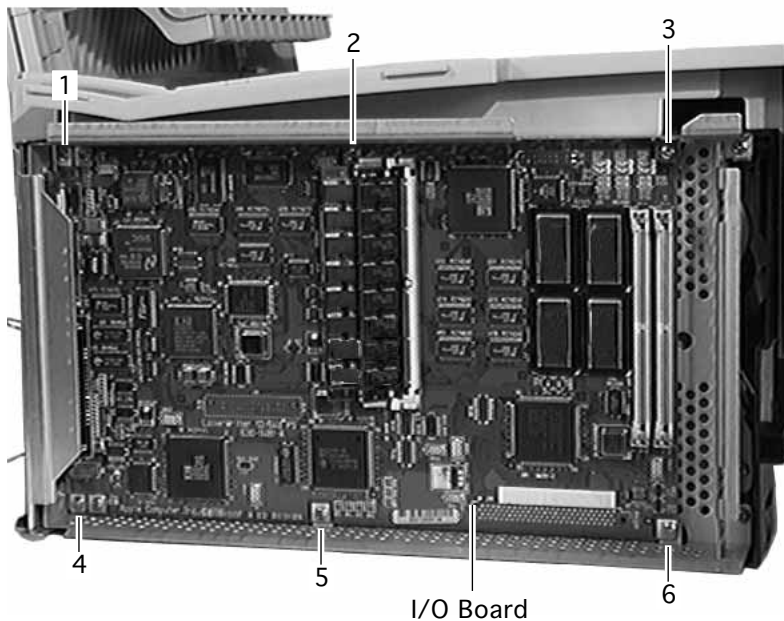
I/O Board

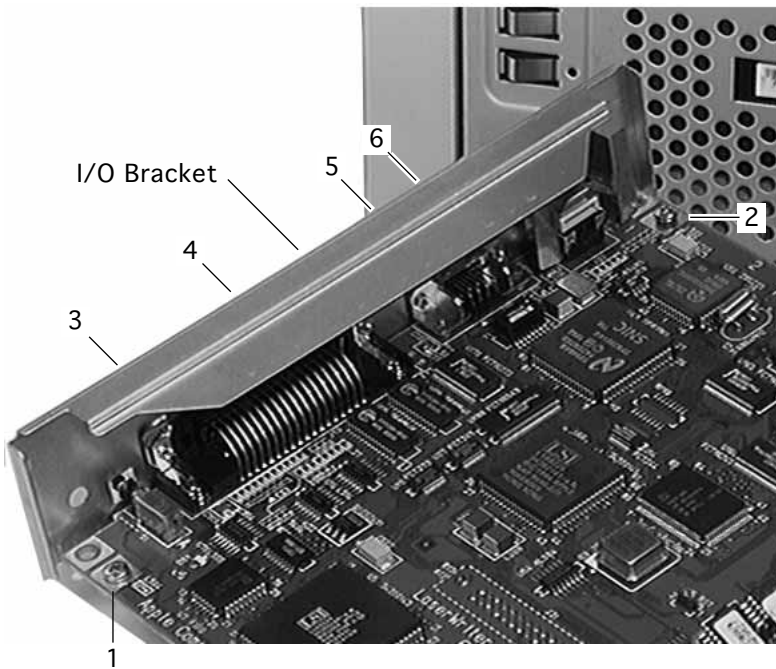
Before you begin, remove the following:

- Left cover
- Multipurpose cover
- Multipurpose tray
- Main cover

Note: Perform this procedure only if you are replacing a defective I/O board. If you are removing the board to get to a deeper part, perform the “I/O Shield” procedure.

- 1 Remove the six screws and remove the I/O board



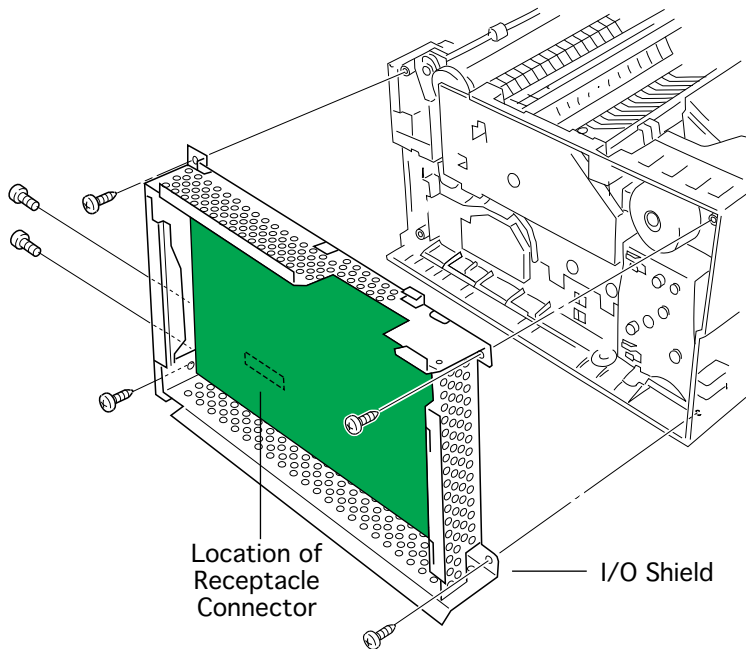


(with bracket) from the printer.

Note: The I/O board connects to the engine through a receptacle connector. Remove the I/O board carefully to avoid damaging this connector

- 2 Remove the two screws near the corner of the board and the four screws securing the connectors to the bracket and separate the bracket from the board.





I/O Shield

Before you begin, remove the following:

- Left cover
- Multipurpose cover
- Multipurpose tray
- Main cover

- 1 Remove the six screws that attach the I/O shield to the chassis and pull the I/O shield (with board in place) from the printer.

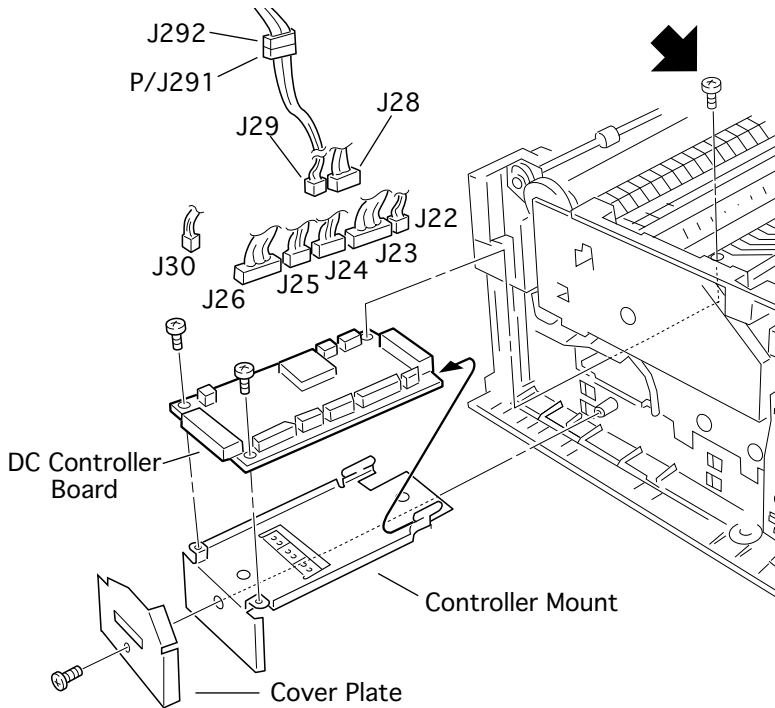
Note: The I/O board connects to the engine through a receptacle





connector. Remove the I/O shield carefully to avoid damaging this connector





DC Controller Board

Before you begin, remove the following:

- Left cover
- Multipurpose cover
- Multipurpose tray
- Main cover
- I/O shield

- 1 Remove the screw and the black cover plate.
- 2 Remove the screw that secures the rear edge of the controller mount to the chassis. This screw





is accessible through a rounded notch in the fuser assembly.

- 3 Pull the DC controller board straight out of the printer. The board mates into a receptacle connector and may offer some resistance when you begin to pull.
- 4 Disconnect all connectors on the board.

Perform the step below only if you are replacing a defective board.

- 5 Remove the two screws which fasten the DC controller board to its mount and separate the board from the mount.



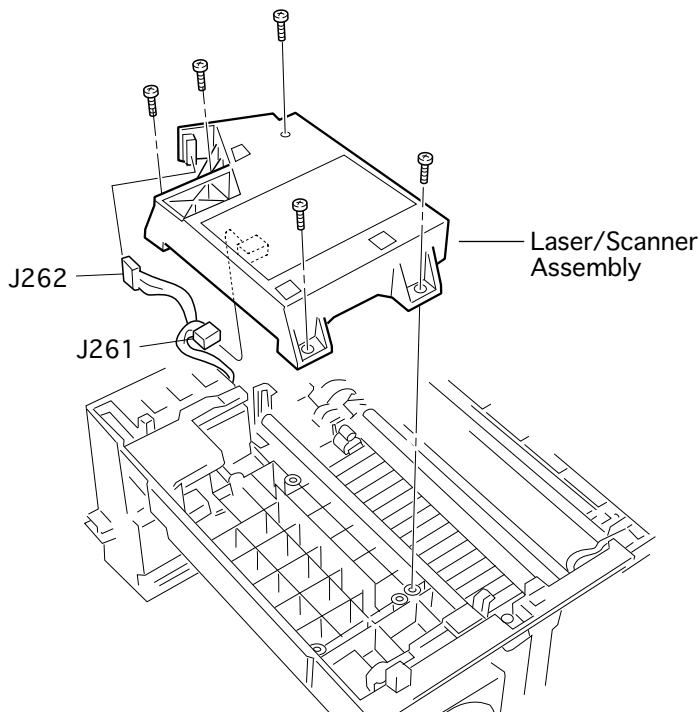


Laser/Scanner Assembly

Before you begin, remove the following:

- Left cover
- Multipurpose cover
- Multipurpose tray
- Main cover

- 1 Remove the four screws at the base of the laser/scanner assembly.
- 2 Remove the one screw situated inside the round recess in top of the laser/scanner assembly.





Caution: Do not remove any of the three screws inside the square recesses.

- 3 Lift the laser/scanner assembly, disconnect the two connectors, and remove the assembly from the printer.



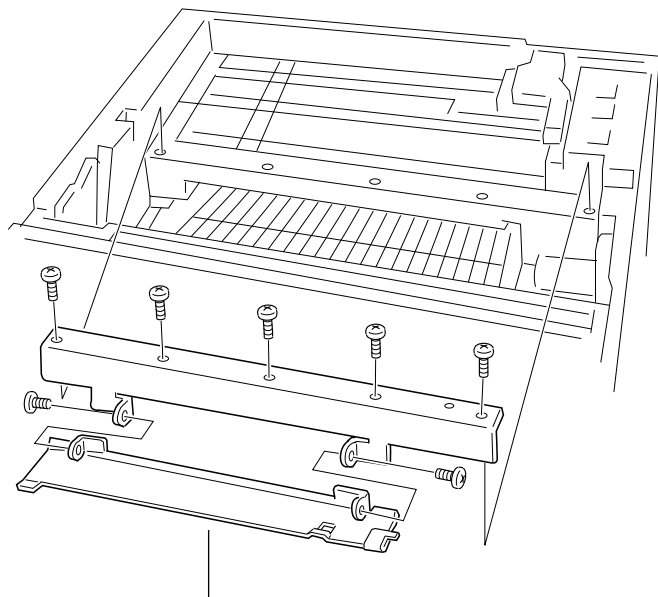


Registration Guide Assembly

Before you begin, remove the following:

- Left cover
- Multipurpose cover
- Multipurpose tray
- Main cover
- Laser/scanner assembly

- 1 Remove the five screws and remove the assembly from the printer.
- 2 Remove the two screws and separate the angle from the rest of the



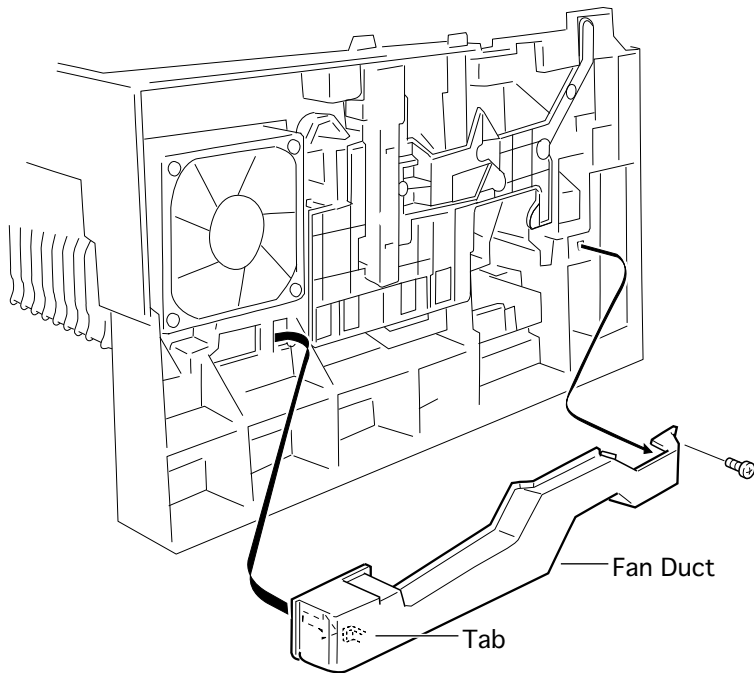
Registration Guide Assembly





registration guide assembly.





Fan Duct

Before you begin, remove the following:

- Left cover
- Multipurpose cover
- Multipurpose tray
- Main cover

- 1 Remove the screw, release the tab, and remove the duct from the printer.



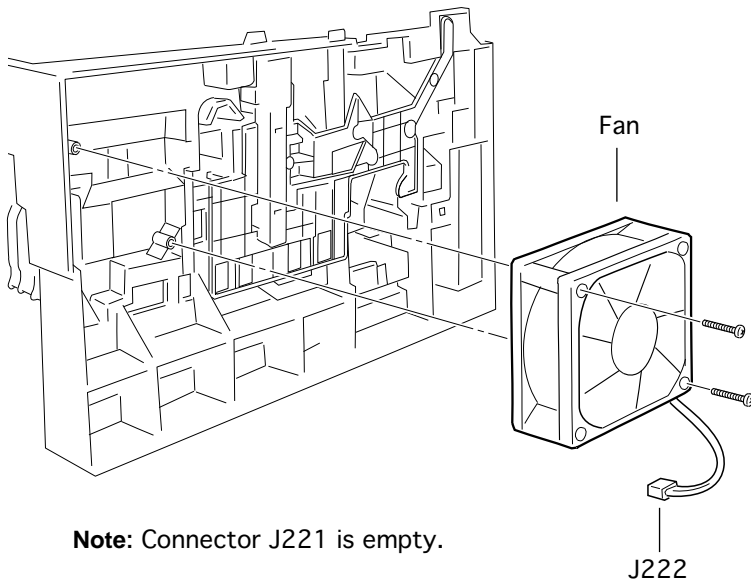


Fan

Before you begin, remove the following:

- Left cover
- Multipurpose cover
- Multipurpose tray
- Main cover
- Fan duct

- 1 Disconnect the fan cable from connector J222 on the power supply.
- 2 Remove the long two screws and pull the fan from the chassis.

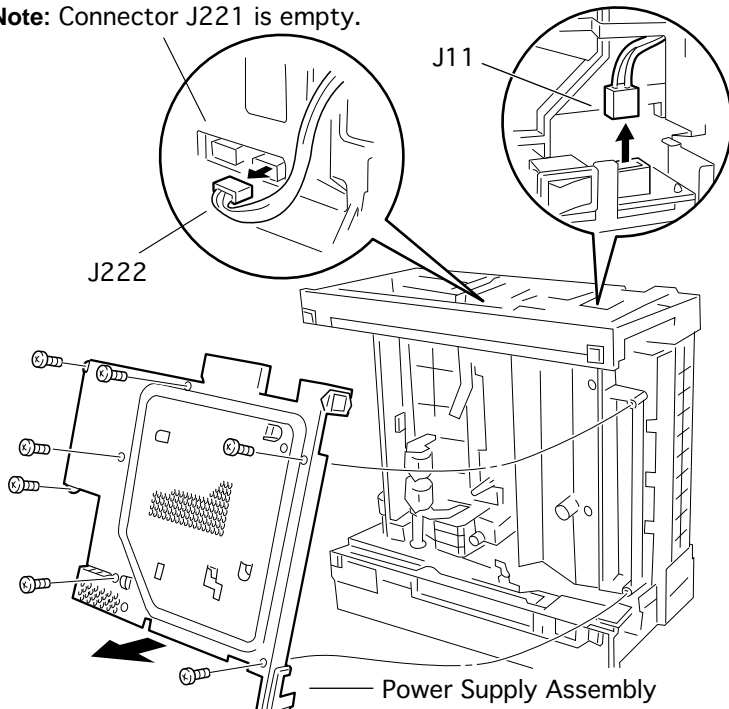


Note: Connector J221 is empty.





Note: Connector J221 is empty.



Power Supply Assembly

Before you begin, remove the following:

- Left cover
- Multipurpose cover
- Multipurpose tray
- Main cover
- Fan duct
- DC controller board.

- 1 Place the printer on its side so that the fan points upward.
- 2 Disconnect the fan cable from the edge of the



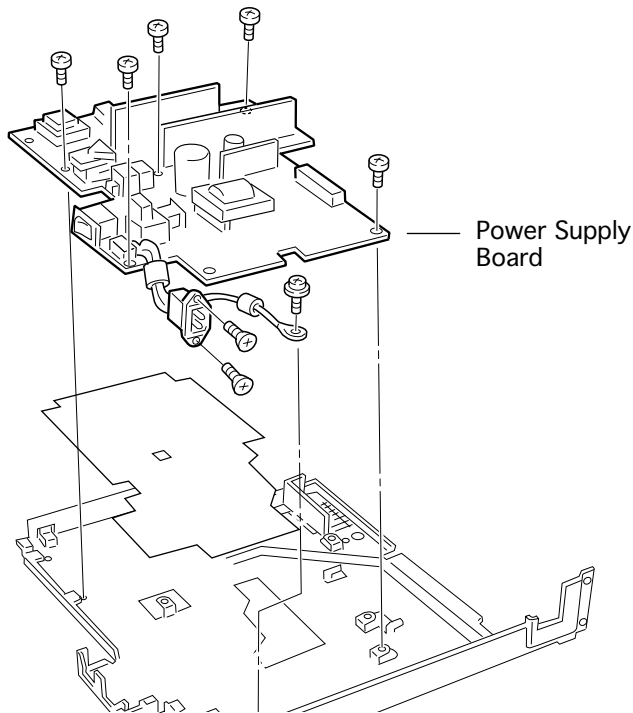


power supply.

- 3 Disconnect the large white connector next to the power switch.
- 4 Remove the seven screws and separate the power supply assembly from the chassis.

Proceed with steps below only if you are replacing a faulty power supply board.





- 5 Remove the six screws which secure the power supply board to the plate. (One of them secures the grounding wire.)
- 6 Remove the two screws which secure the power inlet to the plate.
- 7 Slide the power switch out of its guide and lift the power supply board from the plate.



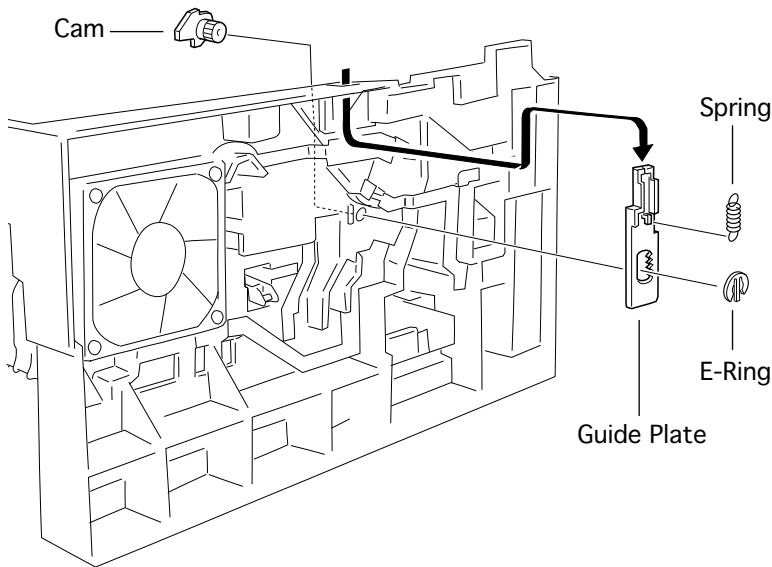


Cartridge Press Actuator

Before you begin, remove the following:

- Left cover
- Multipurpose cover
- Multipurpose tray
- Main cover

- 1 Remove the E-ring from the end of the geared cam.
- 2 Working from the inside of the chassis, slide the cam from the guide plate.
- 3 Remove the spring and





slide the guide plate down and outward to remove it from the printer.



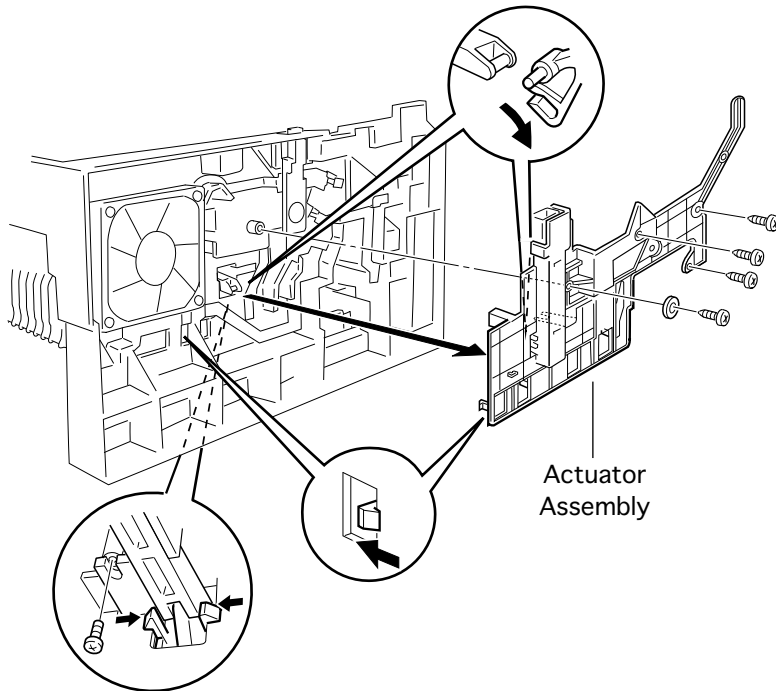


Cover Interlock Actuator

Before you begin, remove the following:

- Left cover
- Multipurpose cover
- Multipurpose tray
- Main cover

- 1 Remove the five screws which secure the actuator assembly to the chassis.
- 2 Detach the cam actuator from the interlock switch, release the tab,





and remove the cover interlock actuator.



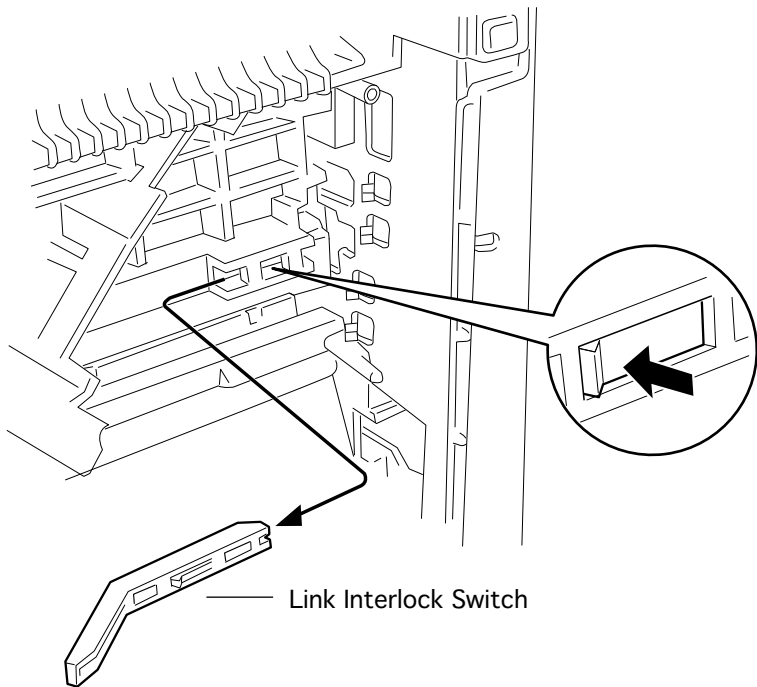


Link Interlock Switch

Before you begin, remove the following:

- Left cover
- Multipurpose cover
- Multipurpose tray
- Main cover
- Cover interlock actuator
- Power supply assembly

- 1 Release the latch and pull out the link interlock switch.



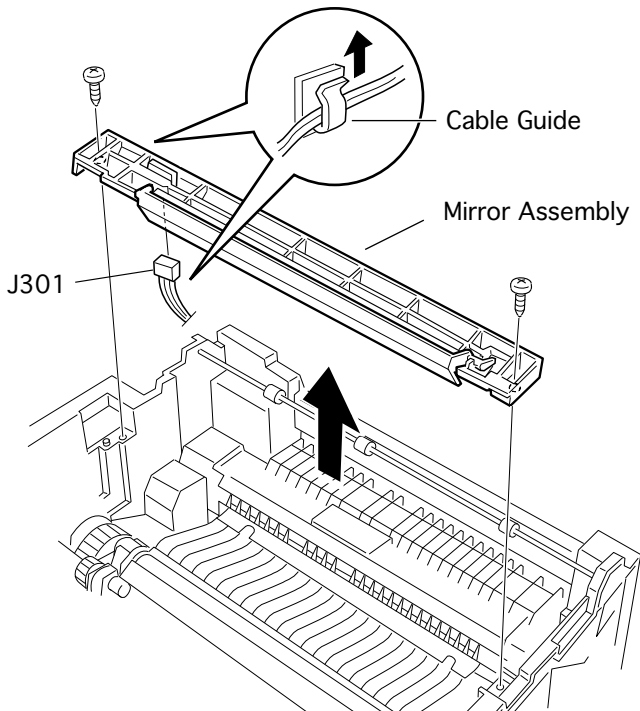


Mirror Assembly

Before you begin, remove the following:

- Left cover
- Multipurpose cover
- Multipurpose tray
- Main cover

- 1 Free the cable from the guide and disconnect the connector on the underside of the assembly.
- 2 Remove the two screws and lift the mirror assembly from the printer.



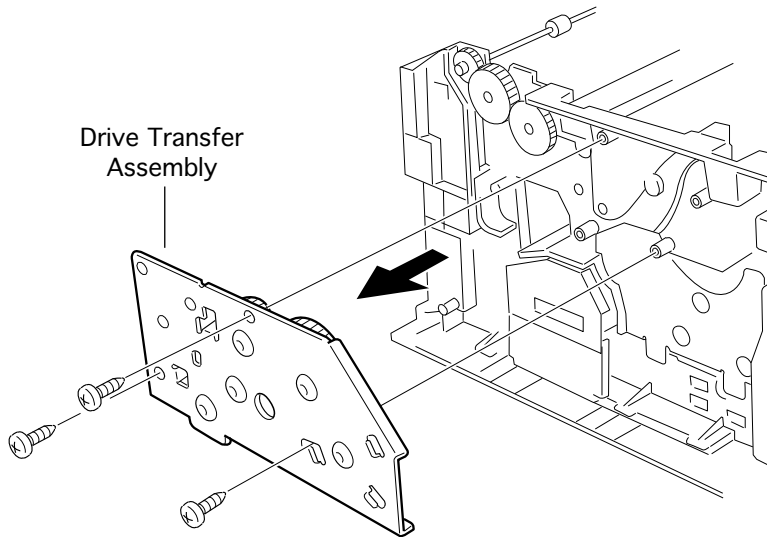


Drive Transfer Assembly

Before you begin, remove the following:

- Left cover
- Multipurpose cover
- Multipurpose tray
- Main cover

- 1 Free the cable that runs across the plate.
- 2 Remove the three screws and pull off the drive transfer assembly.



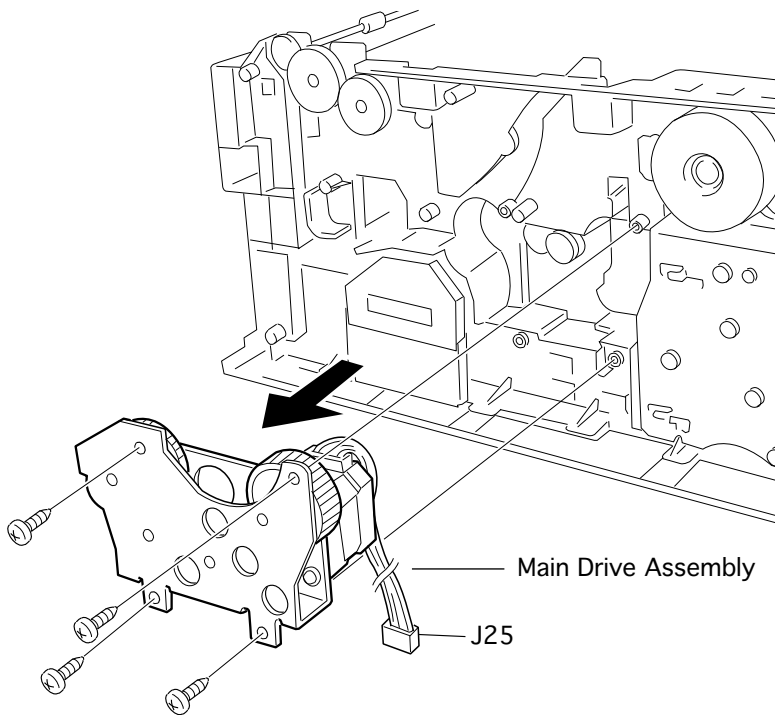


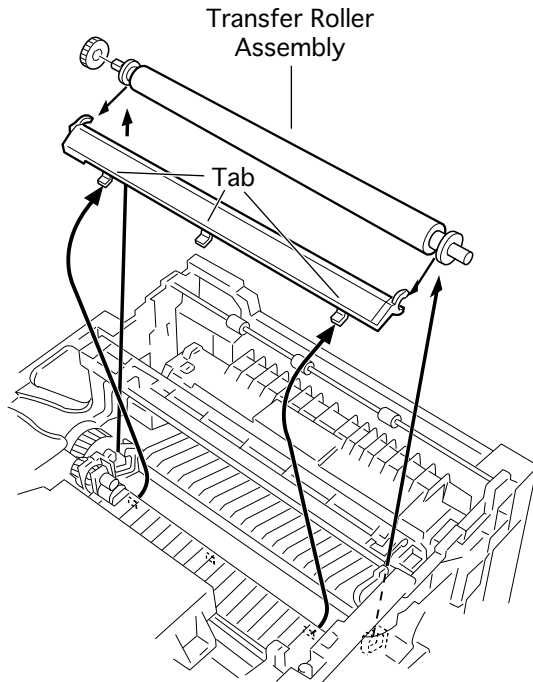
Main Drive Assembly

Before you begin, remove the following:

- Left cover
- Multipurpose cover
- Multipurpose tray
- Main cover
- DC controller board
- Drive transfer assembly

- 1 Remove the four screws and pull the main drive assembly from the chassis.





Transfer Roller Assembly

Before you begin, remove the following:

- Left cover
- Multipurpose cover
- Multipurpose tray
- Main cover

- 1 Using a small flatblade screwdriver, pry each end of the transfer roller shaft and remove the assembly from the printer.

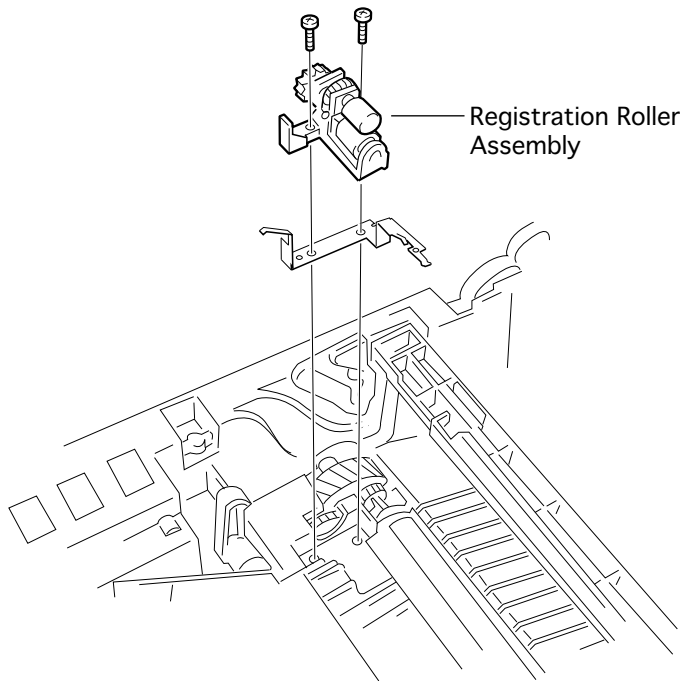
Replacement Note: Make





sure to fully seat the three tabs in the metal guide into the chassis.





Registration Roller Assembly

Before you begin, remove the following:

- Left cover
- Multipurpose cover
- Multipurpose tray
- Main cover

- 1 Remove the two screws and lift out the registration roller assembly.



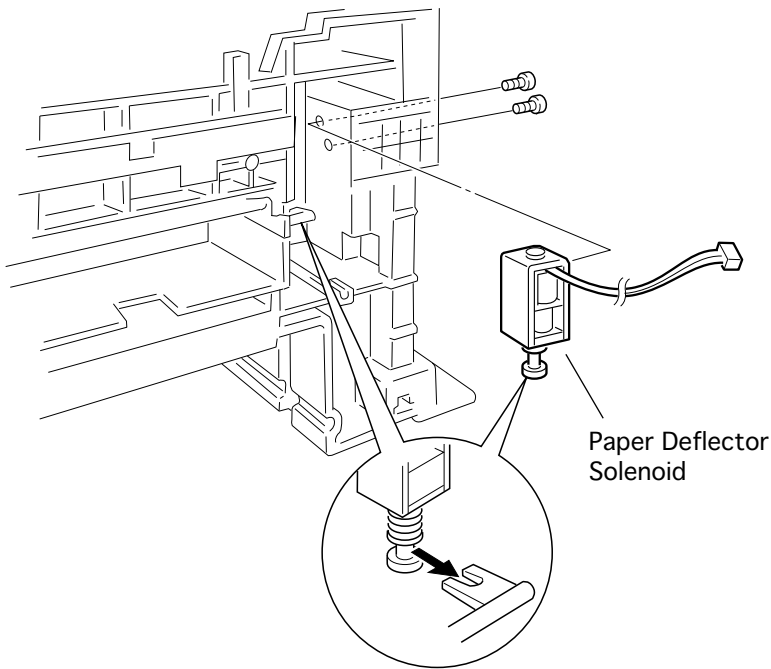


Paper Deflector Solenoid

Before you begin, remove the following:

- Left cover
- Multipurpose cover
- Multipurpose tray
- Main cover
- Power supply
- DC controller board

- 1 Remove the two screws and slide the solenoid out of the chassis.

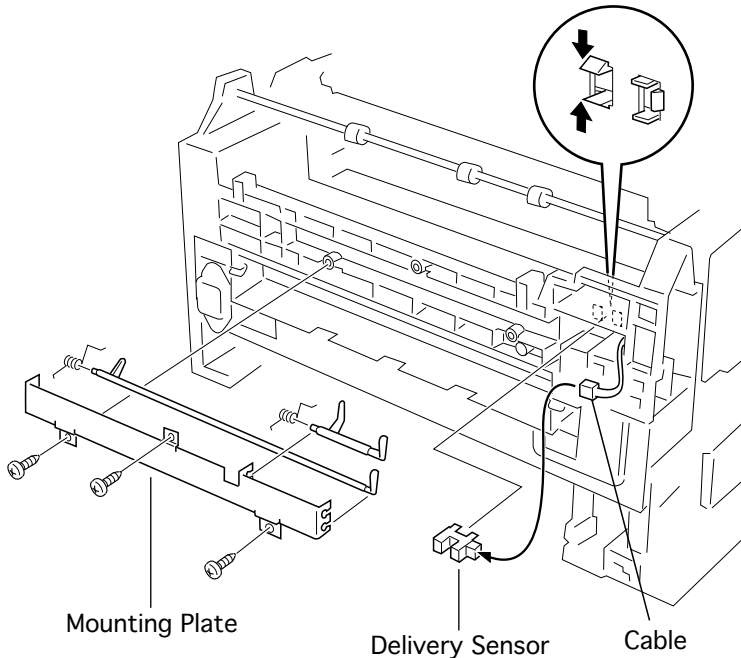




Delivery Sensor

Before you begin, remove the following:

- Left cover
- Multipurpose cover
- Multipurpose tray
- Main cover



- 1 Remove the three screws which secure the mounting plate to the chassis.
- 2 As necessary, disconnect the cable, release the tabs, and remove the photo-interrupter from the chassis.





- 3 As necessary, remove the actuator(s) and springs(s) from the mounting plate.



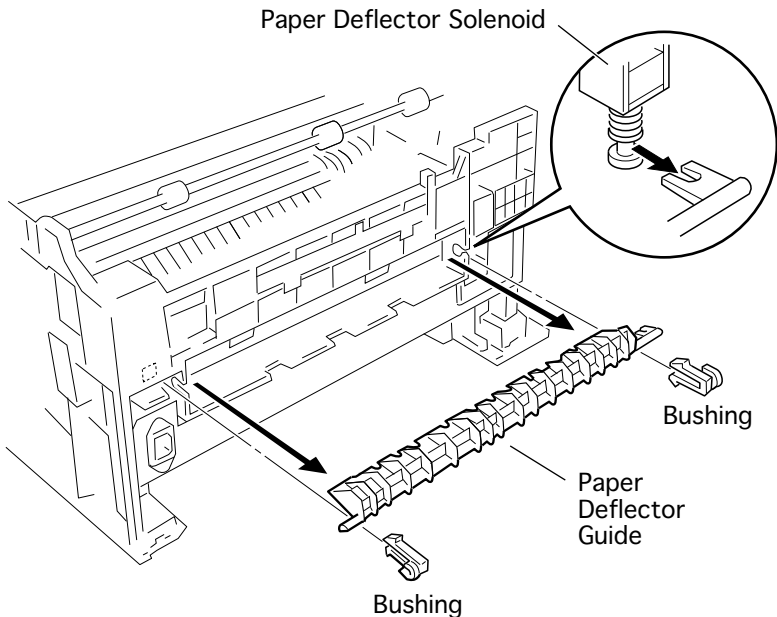


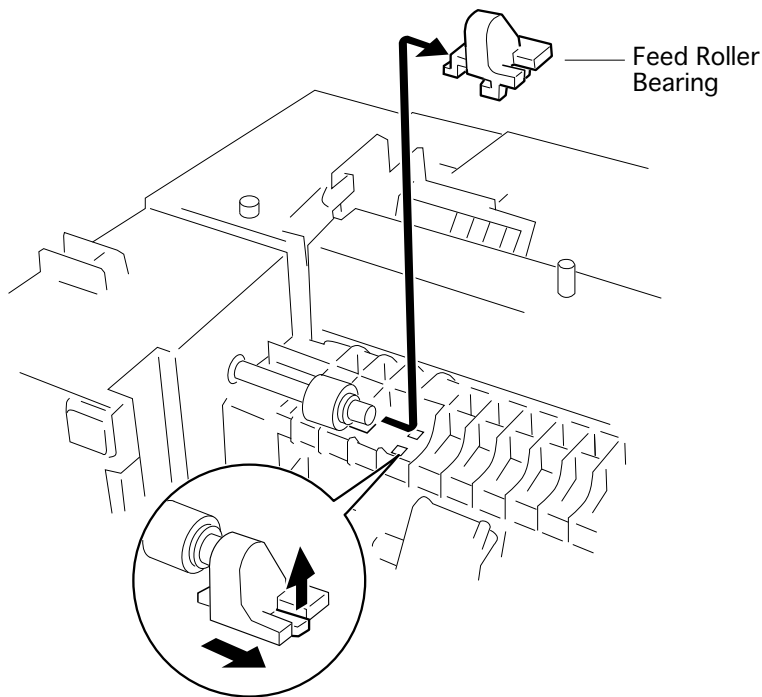
Paper Deflector Guide

Before you begin, remove the following:

- Left cover
- Multipurpose cover
- Multipurpose tray
- Main cover

- 1 At each end, release the white nylon bushing tabs that extend back into the chassis.
- 2 Pull the paper deflector guide from the printer.





Cassette Feed Roller Bearing

Before you begin, remove the following:

- Left cover
- Multipurpose cover
- Multipurpose tray
- Main cover
- Multipurpose frame assy

- 1 Release the tab, shift the bearing rightward, and remove it from the chassis.



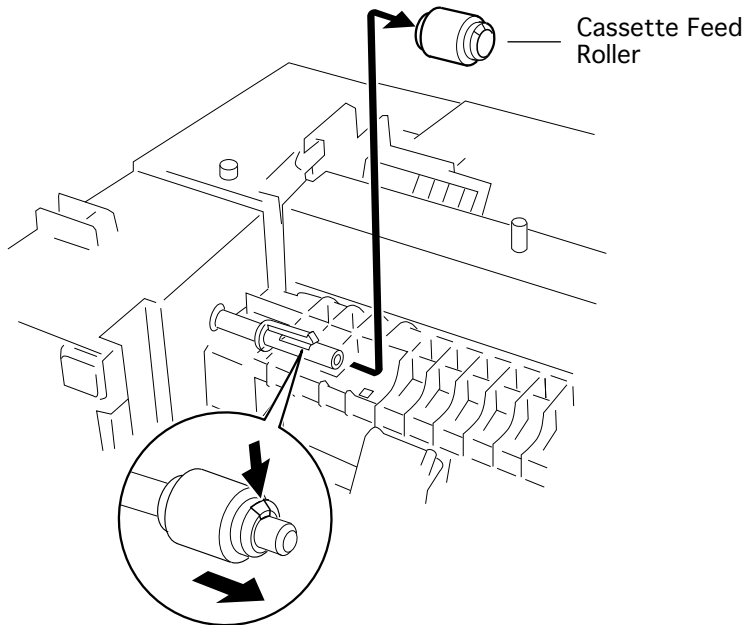


Cassette Feed Roller

Before you begin, remove the following:

- Left cover
- Multipurpose cover
- Multipurpose tray
- Main cover
- Multipurpose frame assy
- Cassette feed roller bearing

- 1 Release the tab and slide the cassette feed roller off the shaft.



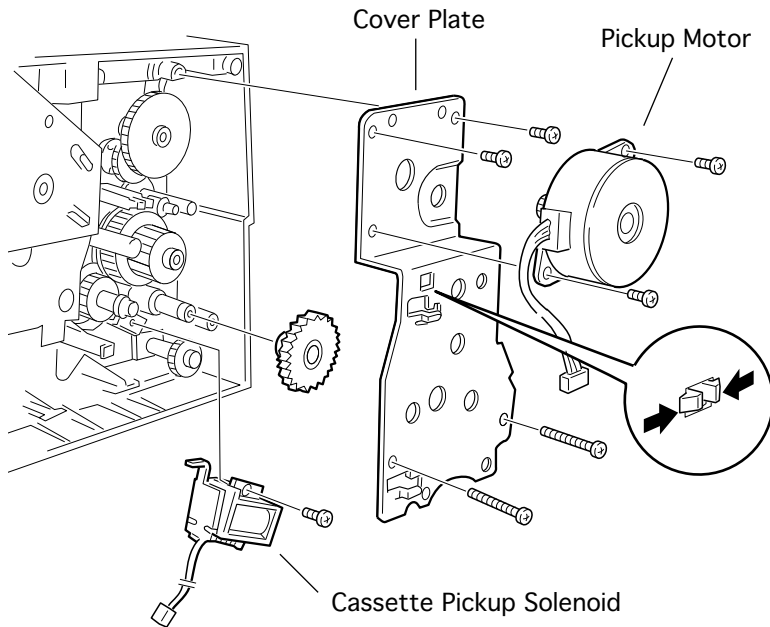


Pickup Motor and Solenoid

Before you begin, remove the following:

- Left cover
- Multipurpose cover
- Multipurpose tray
- Main cover

- 1 Remove the two screws and remove the pickup motor from the printer.
- 2 Remove the four screws, press the claws of one of the support posts of the pickup





drive assembly, and lift off the cover plate.

- 3 Remove the one gear which conceals the pickup solenoid, remove the one screw, and remove the pickup solenoid from the printer.



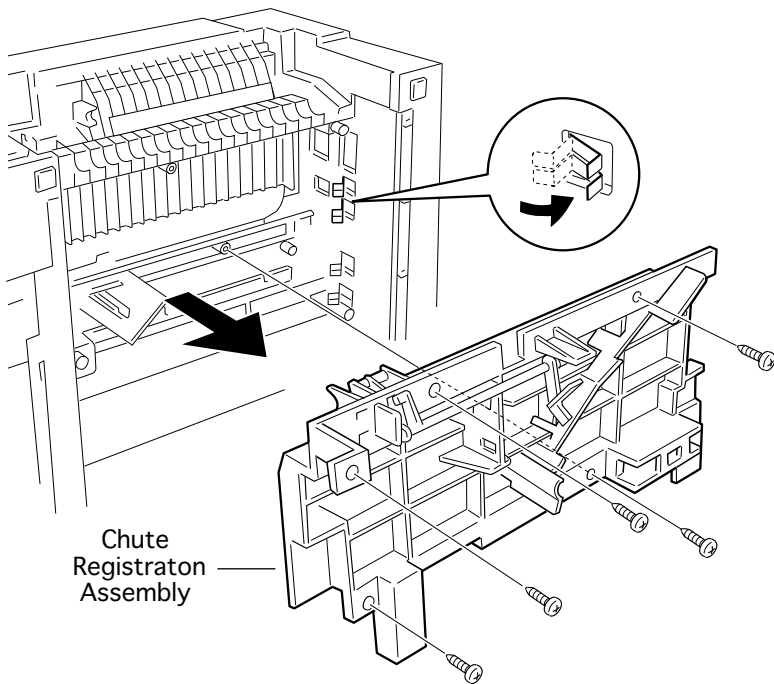


Registration Chute Assembly

Before you begin, remove the following:

- Left cover
- Multipurpose cover
- Multipurpose tray
- Main cover
- DC controller board
- Drive transfer assembly
- Cover interlock actuator
- Link interlock switch
- Pickup drive assembly
- Main drive assembly

- 1 Remove the five screws which fasten the regis-



Chute Registraton Assembly





tration chute assembly.

- 2 Pull out the right side portion first and then take out the entire registration chute assembly, taking care not to bump the assembly against the chassis.



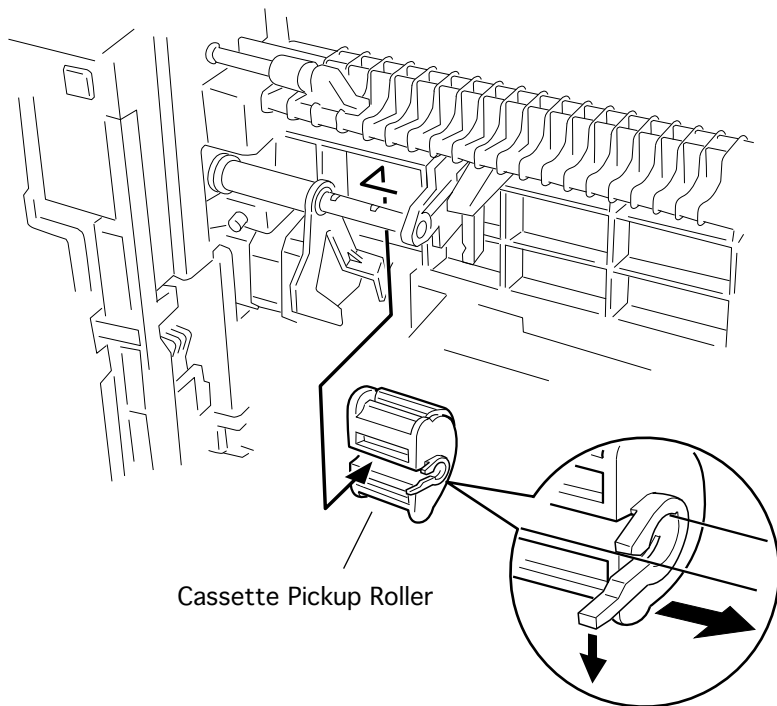


Cassette Pickup Roller

Before you begin, remove the following:

- Left cover
- Multipurpose cover
- Multipurpose tray
- Main cover
- Fan duct
- DC controller board
- Power supply assembly

- 1 Release the claw and slide the cassette pickup roller from the shaft.



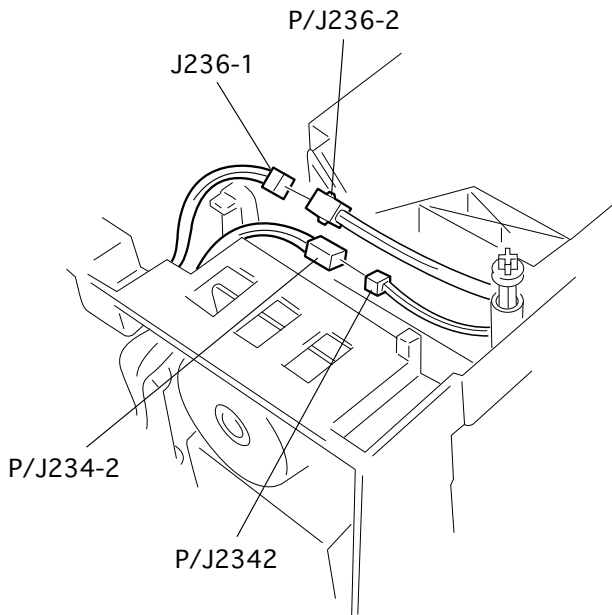


Multipurpose Frame Assembly

Before you begin, remove the following:

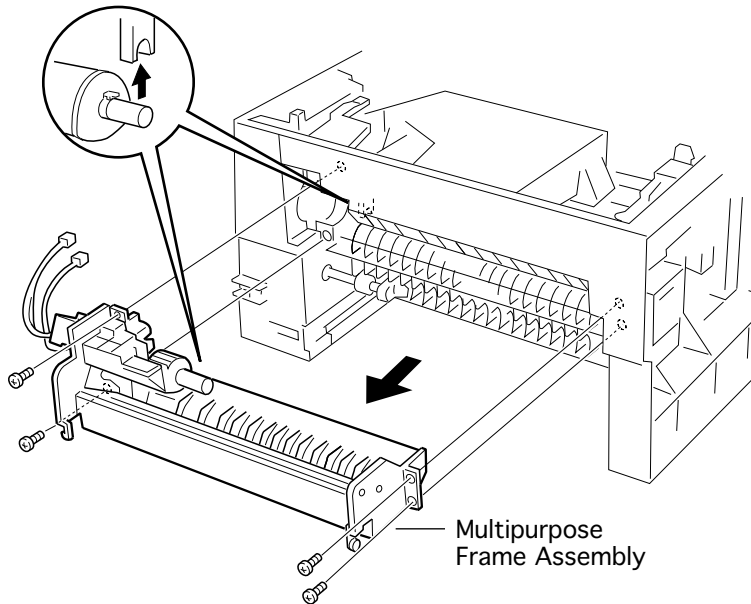
- Left cover
- Multipurpose cover
- Multipurpose tray
- Main cover

- 1 Disconnect the two cables that run along the motor-side of the laser/scanner assembly.





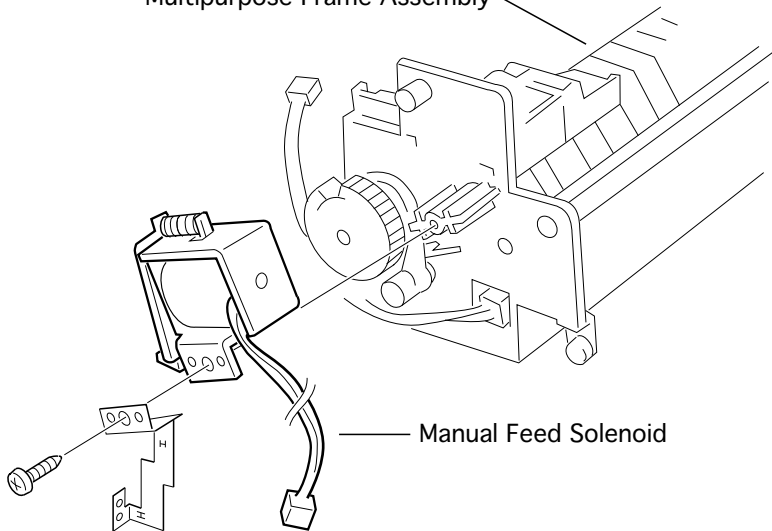
- 2 Remove the four screws and pull the multipurpose frame assembly from the chassis.





Manual Feed Solenoid

Multipurpose Frame Assembly



Manual Feed Solenoid

Before you begin, remove the following:

- Left cover
- Multipurpose cover
- Multipurpose tray
- Main cover
- Multipurpose frame assy

- 1 Remove the one screw and pull the manual feed solenoid off the multipurpose frame assembly.



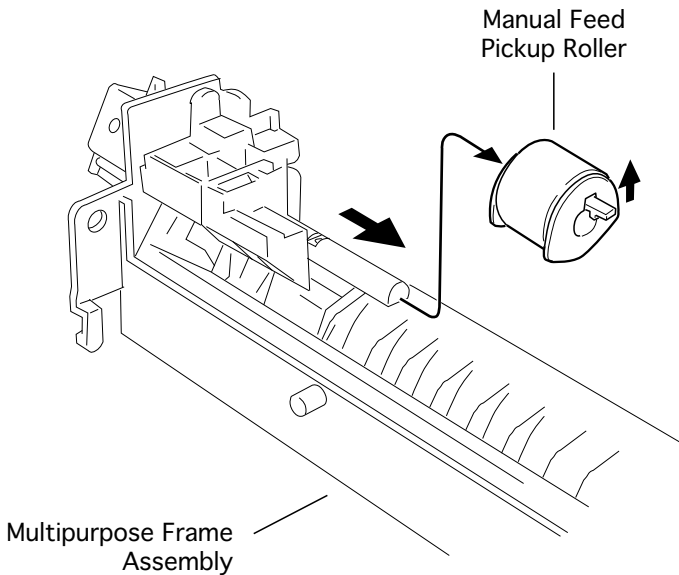


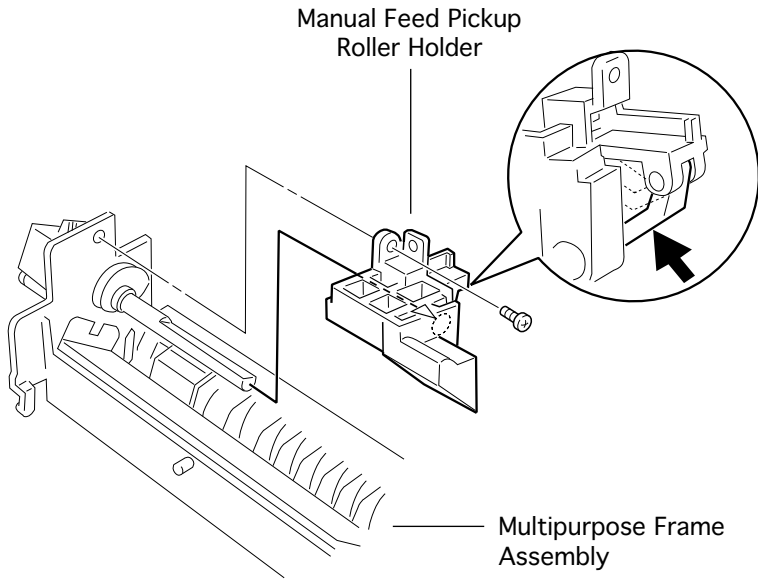
Manual Feed Pickup Roller

Before you begin, remove the following:

- Left cover
- Multipurpose cover
- Multipurpose tray
- Main cover
- Multipurpose frame assy

- 1 Release the latch and slide the manual feed pickup roller off the multipurpose frame assembly.





Manual Feed Pickup Roller Holder

Before you begin, remove the following:

- Left cover
- Multipurpose cover
- Multipurpose tray
- Main cover
- Multipurpose frame assy
- Manual feed pickup roller

- 1 Remove the one screw, press the lever, and slide off the manual feed pickup roller.



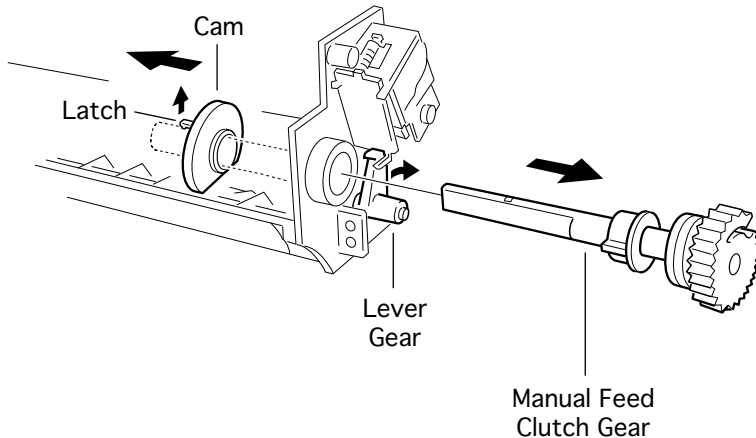


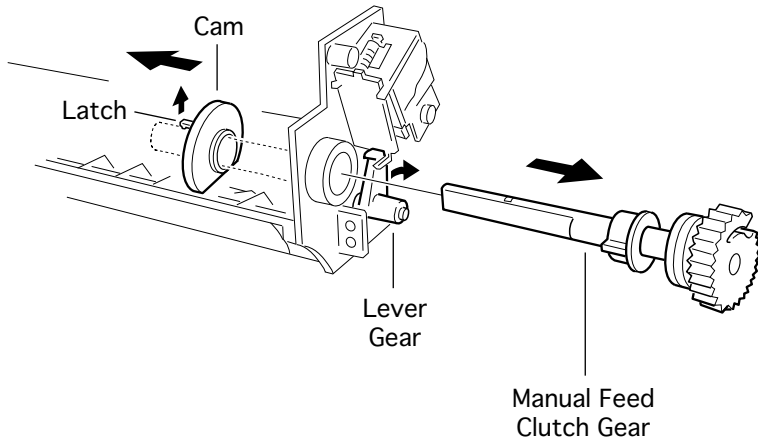
Manual Feed Clutch Gear

Before you begin, remove the following:

- Left cover
- Multipurpose cover
- Multipurpose tray
- Main cover
- Multipurpose frame assy
- Manual feed pickup roller
- Manual feed pickup roller holder

- 1 Release the latch and slide the cam off the shaft.





- 2 Press the lever gear and pull the manual feed clutch gear from the multipurpose frame assembly.

Note: Do not separate the two gears on the Manual Feed Clutch Gear (922-1964). Separating the gears may cause the small spring inside the gear to fall off, causing the pickup roller not to rotate, resulting in a timeout paper jam. You cannot see this spring unless you separate the two gears on the clutch.



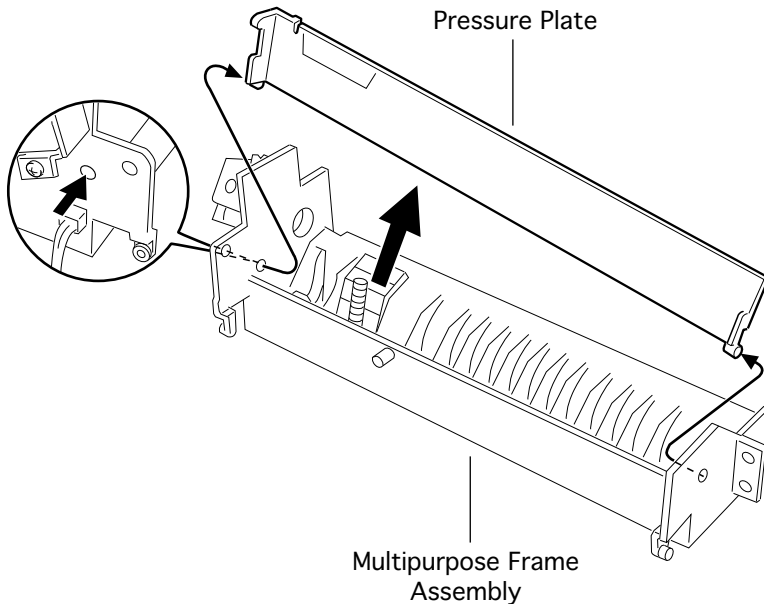


Pressure Plate

Before you begin, remove the following:

- Left cover
- Multipurpose cover
- Multipurpose tray
- Main cover
- Multipurpose frame assy
- Manual feed pickup roller
- Manual feed pickup roller holder
- Manual feed clutch gear

- 1 Release the pin on the left side and remove pressure plate from the multipurpose frame





assembly.

Replacement Note: Place the spring over the positioning pin and hook the top of the spring in the small metal tab in the pressure plate.

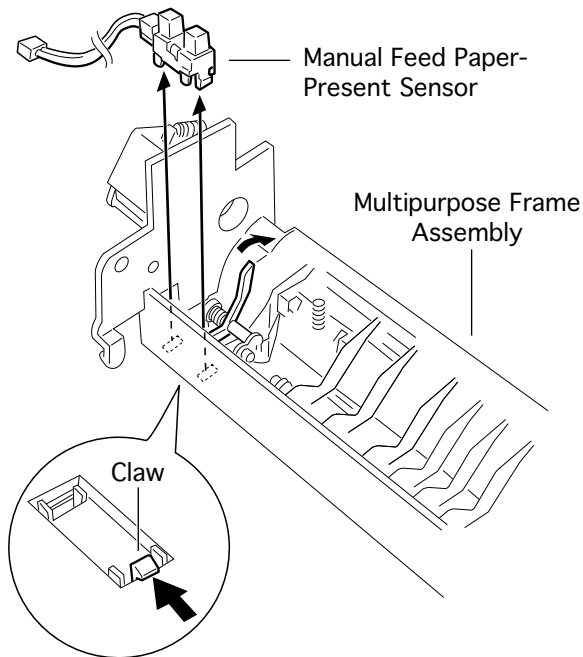




Manual Feed Paper-Present Sensor

Before you begin, remove the following:

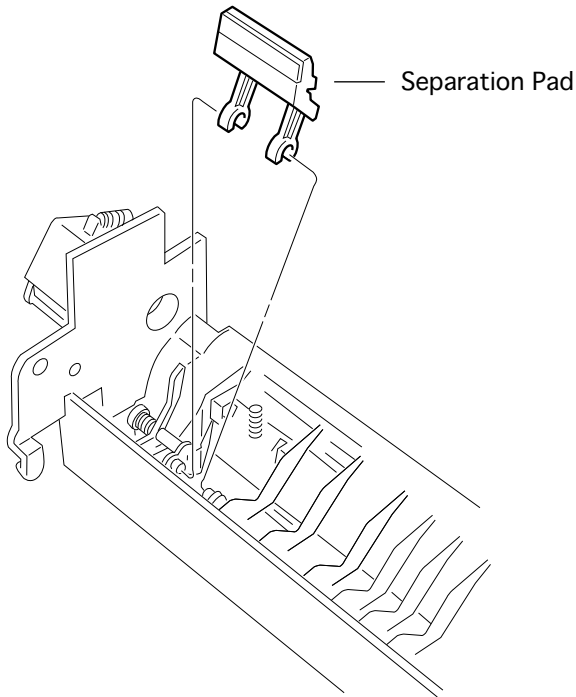
- Left cover
- Multipurpose cover
- Multipurpose tray
- Main cover
- Multipurpose frame assy
- Manual feed pickup roller
- Manual feed pickup roller holder
- Manual feed clutch gear
- Pressure plate





- 1 Press the claw and remove the sensor.





Separation Pad

Before you begin, remove the following:

- Left cover
- Multipurpose cover
- Multipurpose tray
- Main cover
- Multipurpose frame assy
- Manual feed pickup roller
- Manual feed pickup roller holder
- Manual feed clutch gear
- Pressure plate

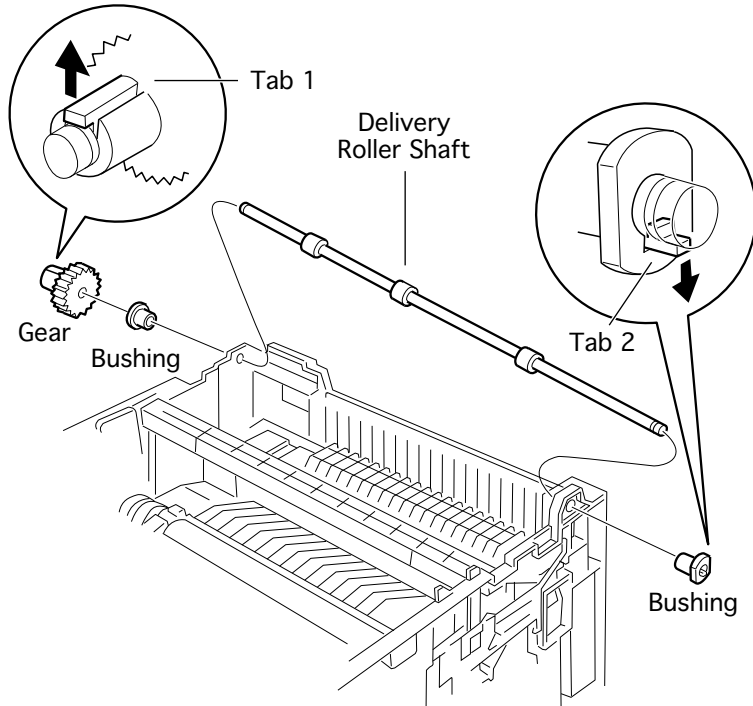
- 1 Press the claw from the bottom side to release the separation pad, turn





the assembly about 90 degrees, slide it to align with the cuts in the support shaft, and remove it.





Delivery Roller Shaft

Before you begin, remove the following:

- Left cover
- Multipurpose cover
- Multipurpose tray
- Main cover

- 1 Release the tab and slide the gear and bushing off the one end of the roller shaft.
- 2 Release the tab at the opposite bushing and slide the delivery roller





shaft to clear the holes and remove the shaft from the printer.



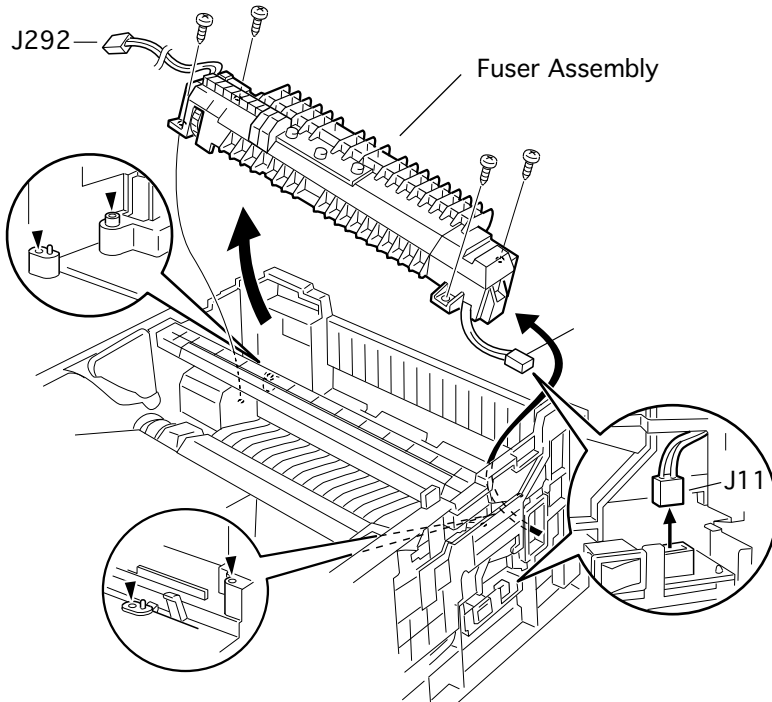


Fuser Assembly

Before you begin, remove the following:

- Left cover
- Multipurpose cover
- Multipurpose tray
- Main cover
- Delivery roller shaft

- 1 Disconnect the large white connector next to the power switch.
- 2 Remove the four screws that secure the fuser assembly to the printer.





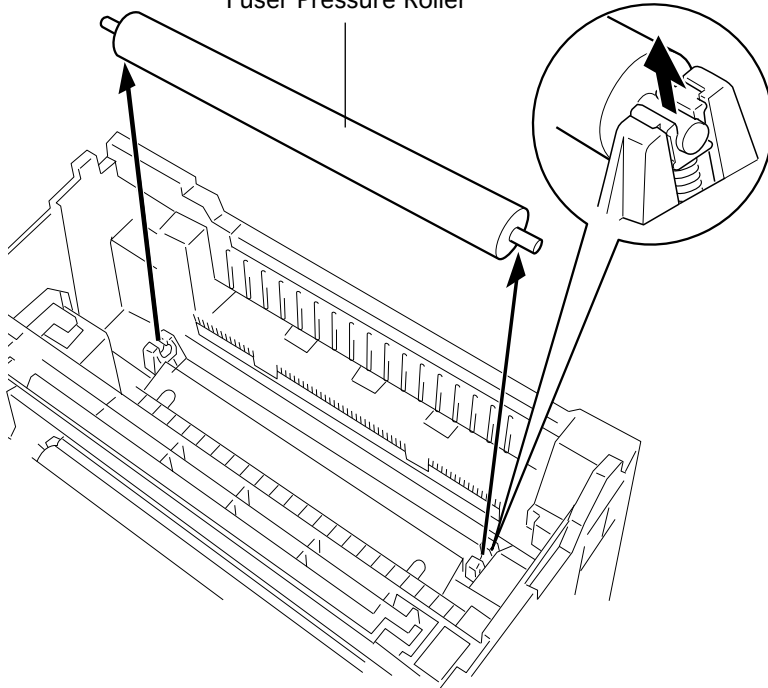
- 3 Raise the gear-side of the fuser and remove the entire assembly.

Replacement Note: There are two exit actuators above the fuser assembly that are susceptible to damage during fuser replacement. Take great care to lift these actuators out of the way before setting the fuser assembly in place.





Fuser Pressure Roller



Fuser Pressure Roller

Before you begin, remove the following:

- Left cover
- Multipurpose cover
- Multipurpose tray
- Main cover
- DC controller board
- Delivery roller shaft
- Fuser assembly

- 1 Snap the roller shaft from its bearings and lift the pressure roller directly out of the chassis.



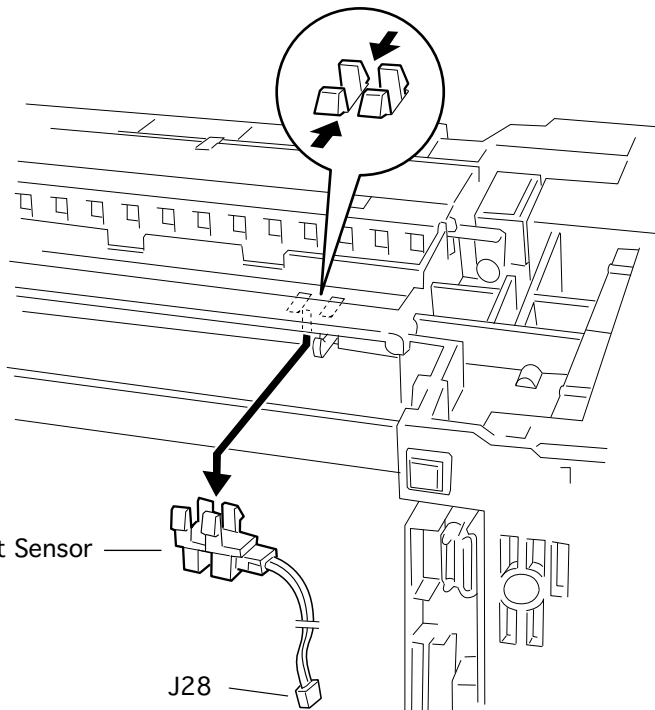


Fuser Exit Sensor

Before you begin, remove the following:

- Left cover
- Multipurpose cover
- Multipurpose tray
- Main cover
- Fan duct
- DC controller board
- Power supply assembly

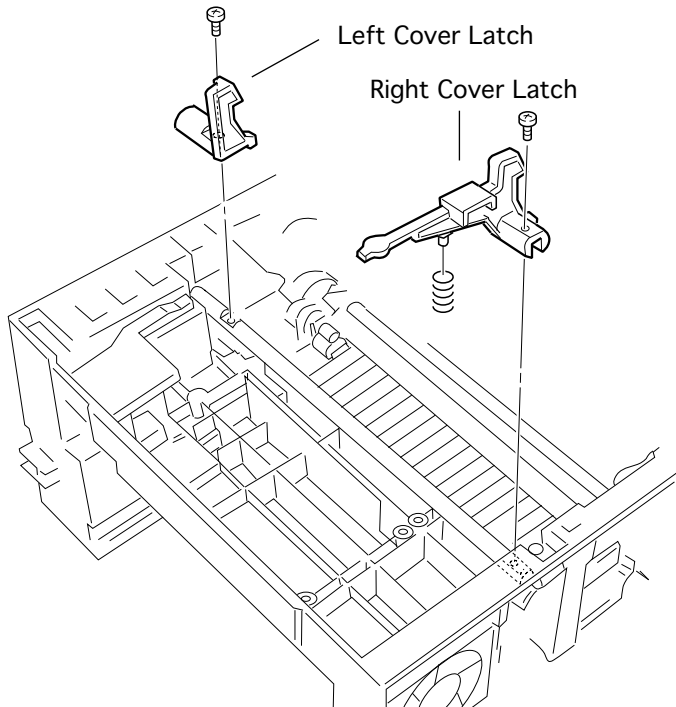
- 1 Release the tabs and remove the sensor from the printer.



Fuser Exit Sensor

J28





Top Cover Latches

Before you begin, remove the following:

- Left cover
- Multipurpose cover
- Multipurpose tray
- Main cover
- Laser/scanner assembly

- 1 Remove the screw that secures each latch and remove the latches from the printer.



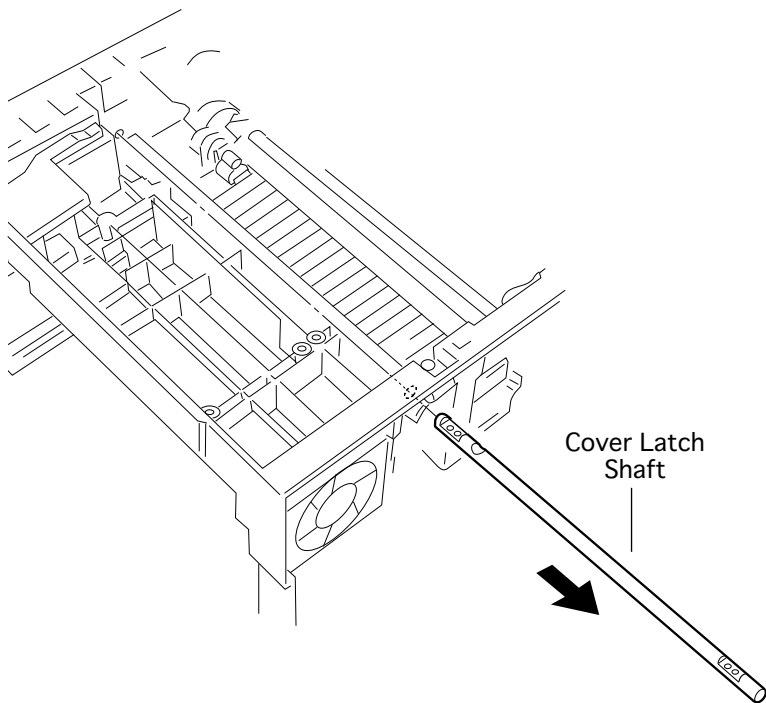


Cover Latch Shaft

Before you begin, remove the following:

- Left cover
- Multipurpose cover
- Multipurpose tray
- Main cover
- Laser/scanner assembly
- Top cover latches

- 1 Pull the latch shaft rightward from the printer.



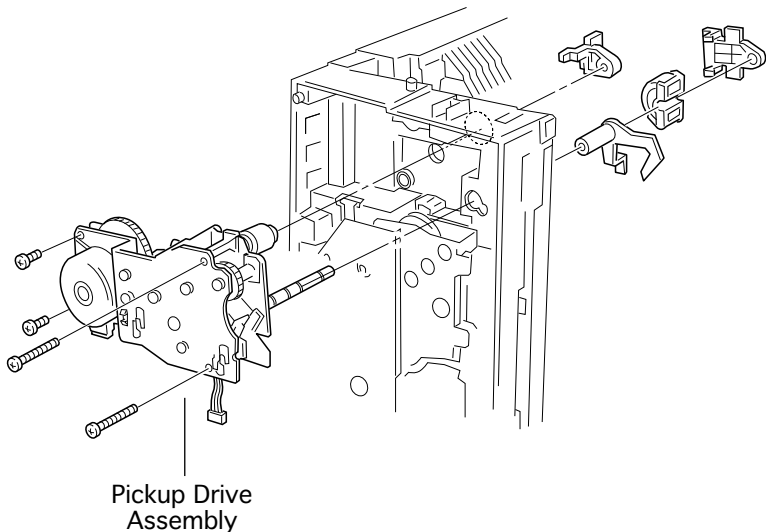


Pickup Drive Assembly

Before you begin, remove the following:

- Left cover
- Multipurpose cover
- Multipurpose tray
- Main cover
- DC controller board
- Power supply assembly
- Multipurpose frame assy
- Cassette feed roller bearing

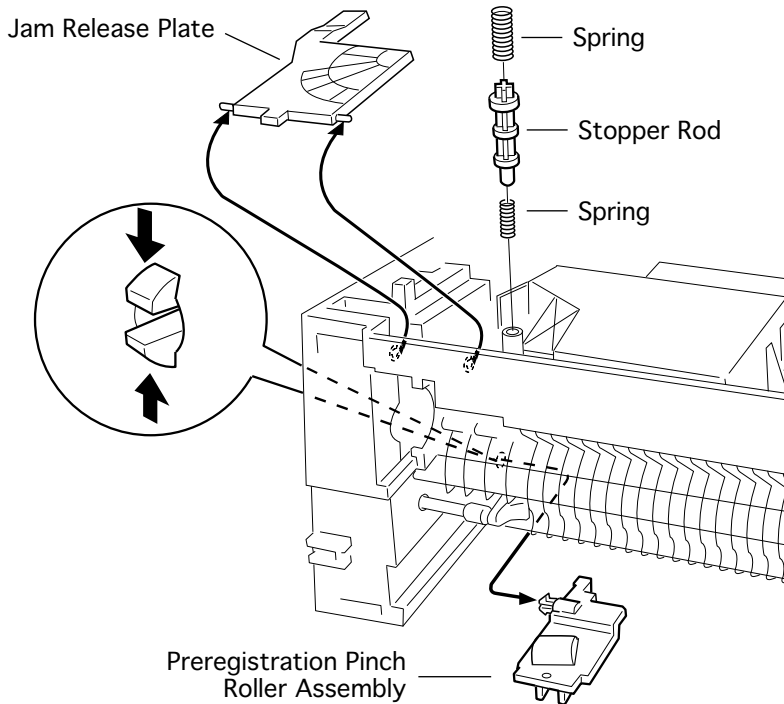
- 1 Put the printer on the rear side.





- 2 Disconnect the harness of the pickup solenoid from the connector of the relay harness from the cassette size sensor assembly.
- 3 Remove the four screws and remove the pickup drive assembly from the chassis.





Preregistration Pinch Roller Assy

Before you begin, remove the following:

- Left cover
- Multipurpose cover
- Multipurpose tray
- Main cover
- Multipurpose frame assy
- Pickup drive assembly
- Chute registration assy

- 1 Raise the jam release plate and remove the two springs and the stopper rod.





- 2 Release the tabs and remove the pinch roller holder from the chassis.
- 3 Remove the pinch roller assembly from the printer.





Exploded View

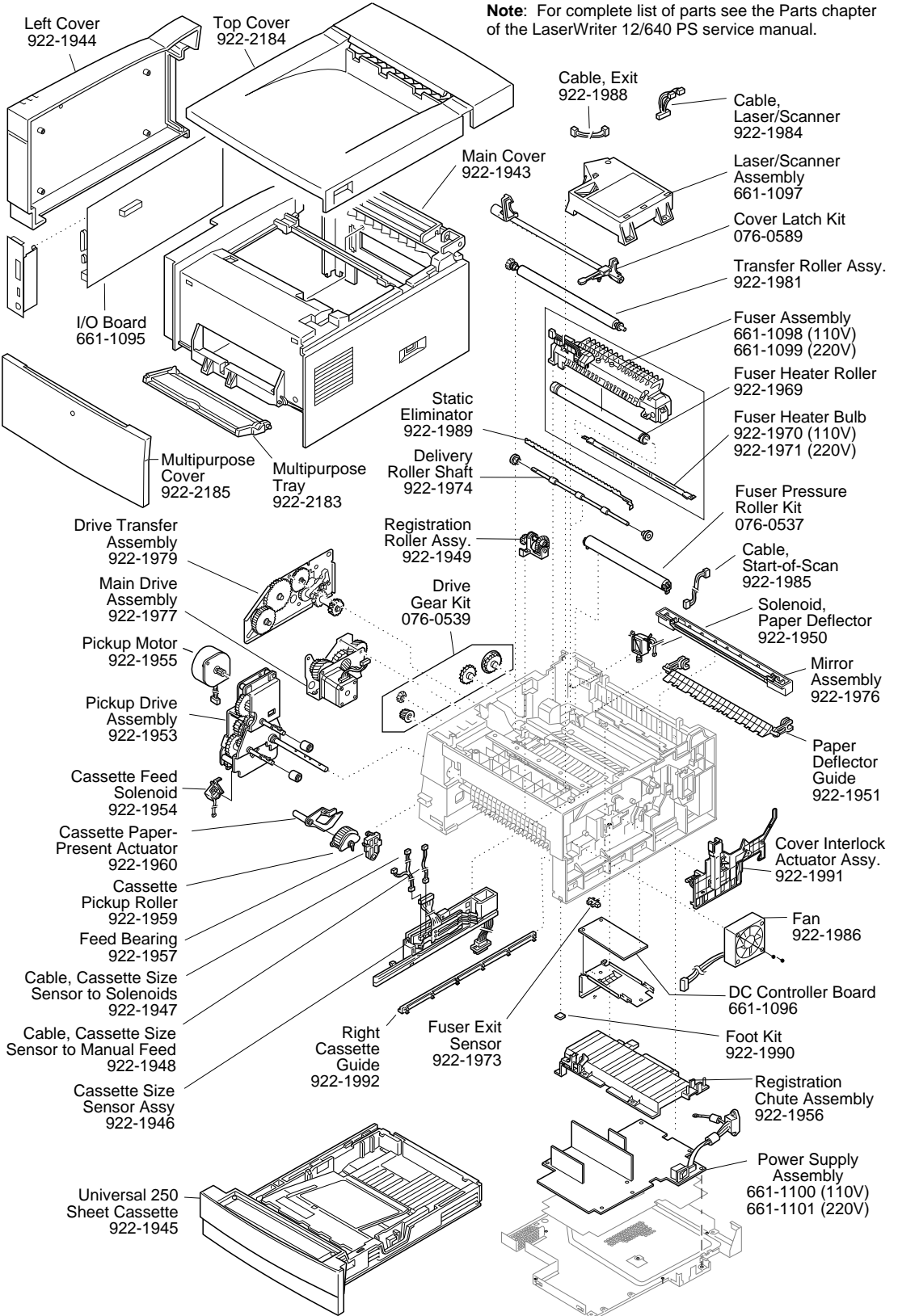
LaserWriter 12/640 PS





Overall Exploded View

Note: For complete list of parts see the Parts chapter of the LaserWriter 12/640 PS service manual.





REA Program

LaserWriter 12/640 PS





Introduction

A Repair Extension Authorization (REA) program has been initiated for the LaserWriter 12/640 PS printer. This program calls for the execution of four preventive maintenance procedures:

- Removal of a capacitor from the DC controller board
- Modification of an exit actuator
- Inspection of the cassette pinch roller
- Resetting of the multipurpose pressure plate.

This document describes what printers are eligible, how to perform the procedures, and how to confirm printer operation after completing the work.





Eligible Printers

Before performing this repair, you must first confirm that the printer is eligible for the program by making the following observations.

- 1 Pull the cassette from the printer and observe the face of the black chassis just to the left of where the cassette slides in. If there is a small white dot painted on the chassis, the repairs have already been performed.
- 2 If there is not a white dot present, the printer is eligible for this program.

Note: If the printer is still in its box, check for a blue dot on the UPC label on the outside of the box. The blue dot indicates that the REA work has already been done to the printer.



Location of White Dot



Location of Blue Dot





Take Apart

Before you begin, remove the following:

- Left cover
- Multipurpose cover
- Multipurpose tray
- Main cover
- I/O shield
- DC controller board
- Delivery roller shaft
- Fuser assembly
- Multipurpose frame assembly

Note: All the “first-remove” procedures above have been appended to the back of this document. To reassemble the printer, perform the procedures in reverse.

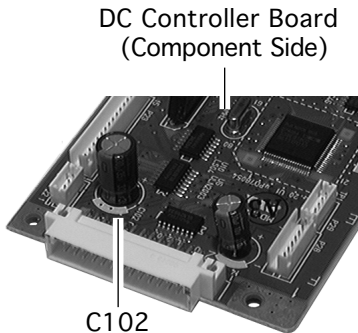




Capacitor Removal

Caution: While performing this procedure, use a grounded conductive workbench mat and grounding wriststrap, and ground your equipment to the mat.

An intermittent failure could lead to incorrect reporting of the printer's ready state. The removal of capacitor C102 on the DC controller board solves the problem. Following are two approved methods for removing the capacitor: removal by hand and removal by desoldering.

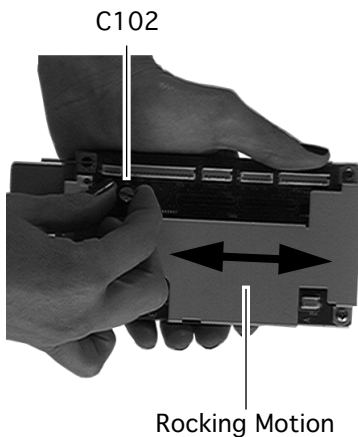




Removal by Hand

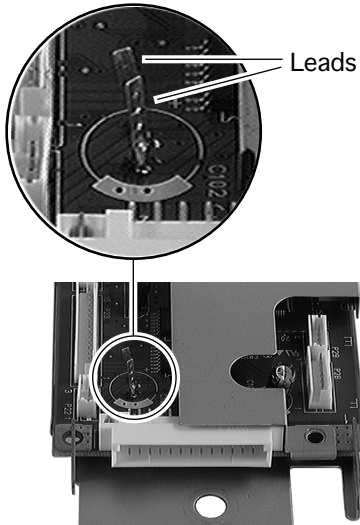
This is the preferred method of removing the capacitor and leads.

- 1 Hold the board in one hand and grasp the capacitor in the other. Carefully rock the capacitor back and forth while holding the board by its edges. Continue to rock until the capacitor snaps loose.





- Using an appropriate cutting tool, remove the two leads (if they have remained on the board after you removed the capacitor). Be careful not to damage any surrounding traces. Remove as much of the leads as possible to prevent potential shorting.





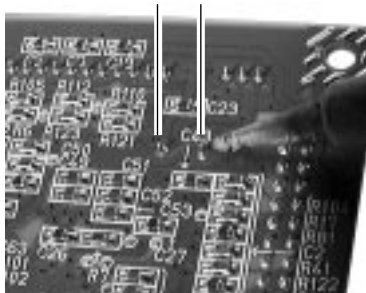
Removal by Desoldering

This is an alternate method of removing capacitor C102.

- 1 Locate the two points on the solder-side of the board that correspond to capacitor C102.
- 2 If you are using a vacuum-type soldering tool, apply heat to each of the points, suck the solder from the surface, and pull the capacitor from the board.
- 3 If you are not using a vacuum-type soldering tool, apply enough heat to each of the points so that you can gently loosen the capacitor. Continue to rock the capacitor until you can easily remove it from the board.

Note: If you are unable to remove the capacitor, you can order a replacement board that has no capacitor C102. The part number for the board is 661-1441.

Desolder Points



DC Controller Board
(Solder Side)

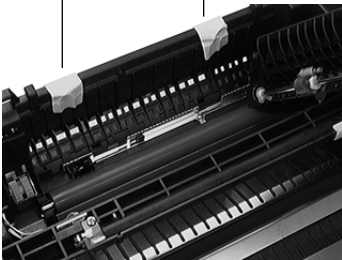




Actuator Modification



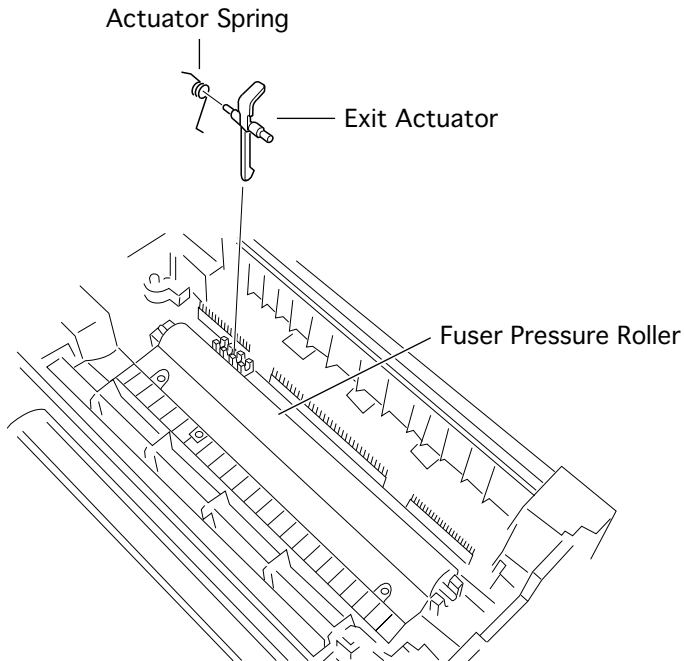
Tape Upper
Actuators Closed



Caution: The two upper exit actuators above the fuser are extremely susceptible to damage during fuser installation. Please tape them closed as shown before proceeding. Remove the tape after fuser replacement.

In rare cases, removing paper jams from the fuser assembly can damage the lower exit actuator. This problem may be caused by tiny burrs at the tip of the actuator. This procedure removes any burrs that may exist.



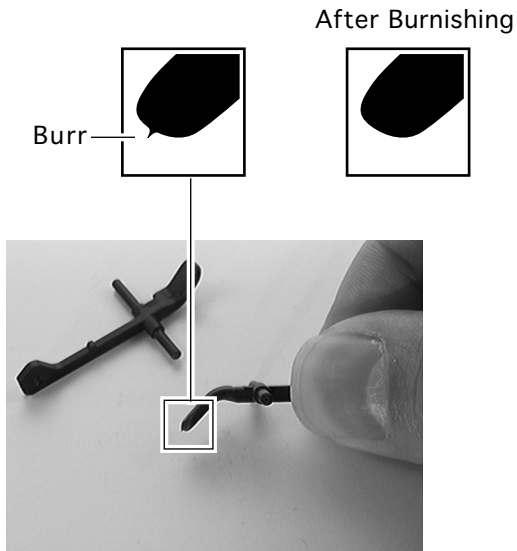


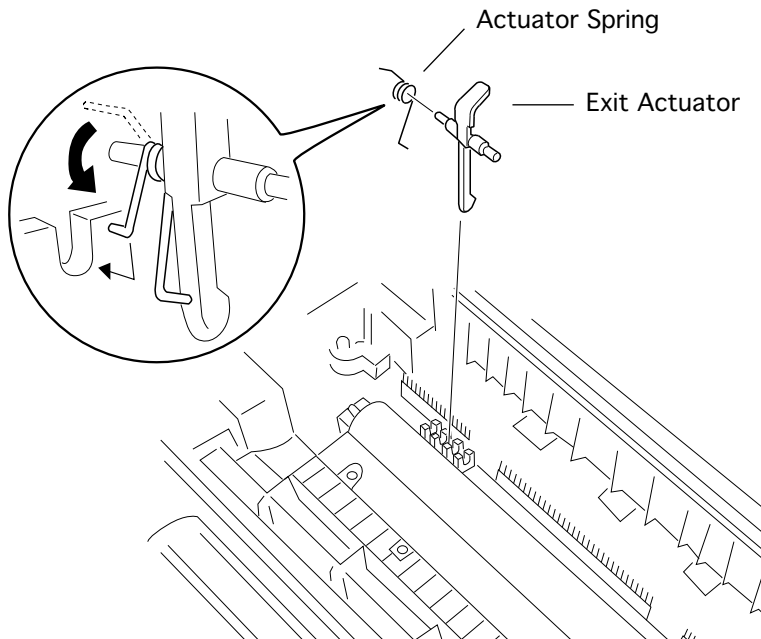
- 1 Locate the exit actuator near the left end of the fuser pressure roller.
- 2 Pull the exit actuator, along with the actuator spring, out of the slot in the printer frame.





- 3 Gently rub a small piece of paper against the tip of the actuator about 10-15 times. This burnishing action should remove any burrs that may exist.





- 4 Reinstall the actuator spring onto the exit actuator. (See the illustration for correct positioning of the spring.)
- 5 Press the new exit actuator into the slot in the printer frame.





- 6 Use your finger to rock the exit actuator back and forth to make sure it moves freely and has a slight spring-action return.

Important: The exit actuator must be correctly oriented and there must be sufficient tension in the spring. Otherwise, the actuator will not sense the absence of paper and a paper jam will be reported on power up.

- 7 Wipe the pressure roller clean using a soft dry cotton cloth.

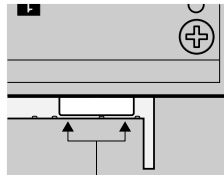
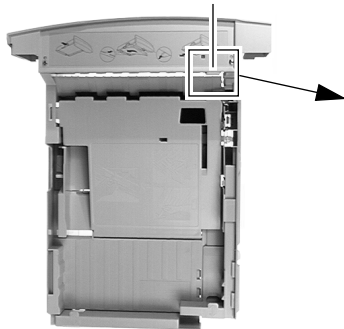




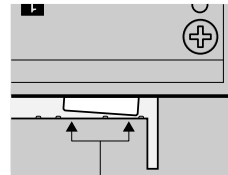
Pinch Roller Inspection

The pinch roller in the cassette provides a pressure surface against which the feed roller advances paper. If the pinch roller is misaligned, or its clearance from the feed roller too great, the feed roller may not grip properly and a paper jam can result.

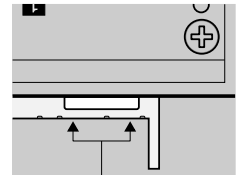
Pinch Roller



Pinch Roller
Aligned



Pinch Roller
Misaligned



Pinch Roller
Clearance Too Great

Note: Although this inspection is obviously critical if the customer is reporting pickup paper jams, these measures





also serve to prevent the condition from developing in functioning units.

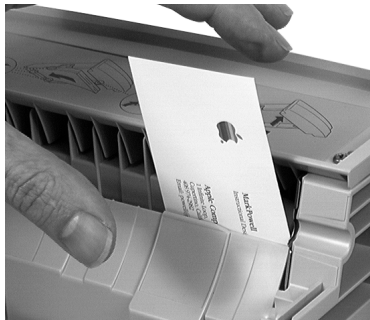
Checking Alignment

Remove the cassette and check the alignment of the roller. If the roller is not aligned fairly evenly across the pinch surface, make the adjustments described later in this topic. If the alignment is good, check for clearance.

Checking Clearance

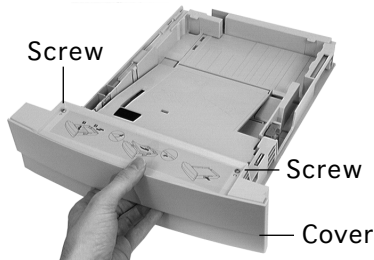
When the cassette is installed, there should be a uniform clearance of approximately one millimeter between feed roller and pinch roller.

In practical terms, this can be tested by holding the cassette in one hand and inserting a business card with the other hand



Checking Clearance



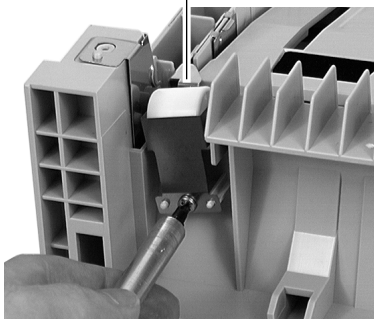


into the slit between the pinch roller and the plastic molded paper guide. With the cassette correctly oriented (top facing up), the card should just barely stay in place when you remove your hand. If the card falls through the opening in the cassette, the clearance is probably too great and should be adjusted.

Making Adjustments

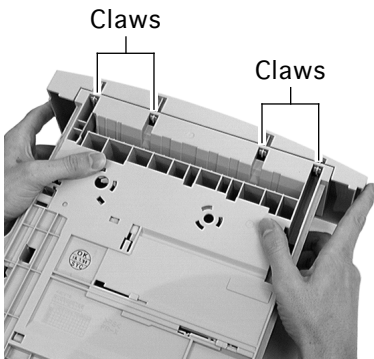
- 1 Remove the two screws in the top face of the cassette and lift off the cover.
- 2 Remove the one screw that attaches the roller bracket to the cassette.
- 3 Inspect the mounting surface of the roller bracket. If it is not flat, carefully bend it until it is.
- 4 Reinstall the roller and bracket, making sure the bracket seats securely in the two registration pins.

Pinch Roller and Bracket





Replacement Note: There are four claws on the bottom of the cassette cover. Seat the claws in place and then secure the two screws on the top face.





Pressure Plate Reset

The pressure plate is the surface in the multipurpose tray that presses paper up against the sweep of the pickup roller.

To observe how the pressure plate works, hold the multipurpose frame assembly in your hand and deflect the plate with your thumb. A functional pressure plate should be free to pivot approximately half an inch (1.25 cm) up and down. A snagged pressure plate would not pivot up and down at all.

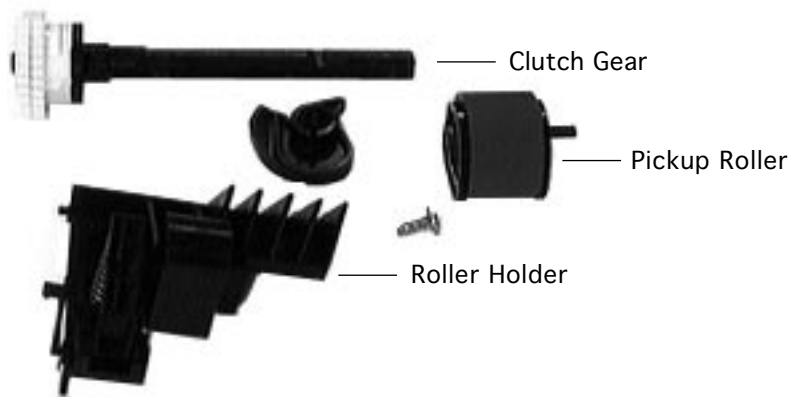
This procedure resets the plate and its spring mechanism so that such a snag will not occur in the future.





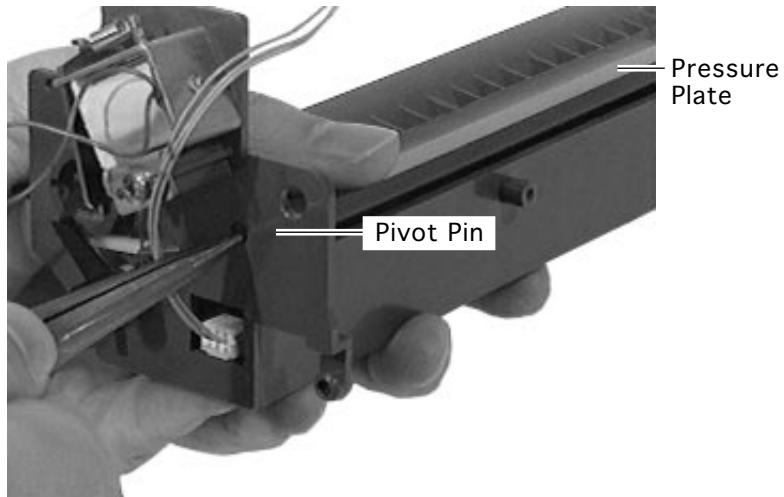
Before you begin, remove the following from the multipurpose frame assembly:

- Manual feed pickup roller
- Manual feed pickup roller holder
- Manual feed clutch gear



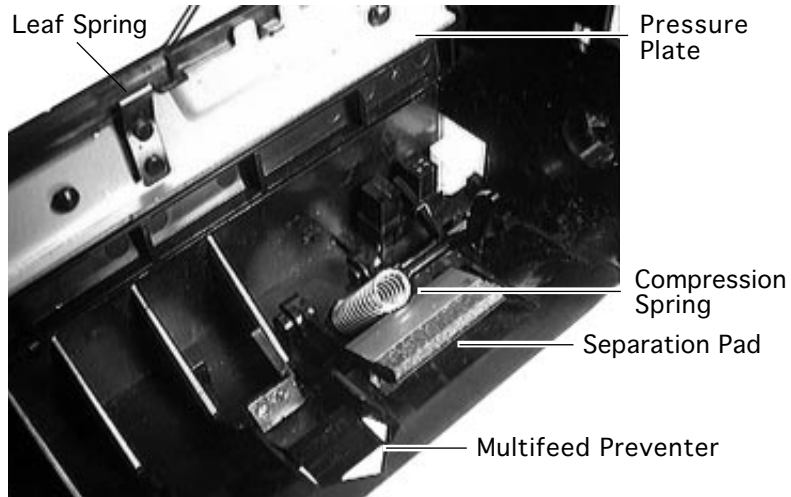


- 1 Carefully release the pivot pin at one end of the pressure plate and lift the plate from the multipurpose frame assembly.



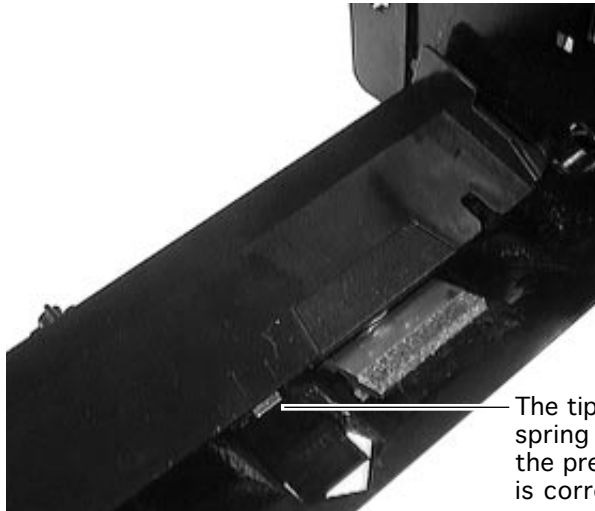


- 2 Reinstall the pressure plate, making sure the leaf spring on the underside of the plate rests on top of the plastic multifeed preventer. Also make sure the compression spring is positioned correctly behind the separation pad.





- 3 After removing and reinstalling the pressure plate, test its movement. If it has the half-inch play referenced above, the plate will be functional. If not, repeat steps 1 and 2.



The tip of the leaf spring is visible when the pressure plate is correctly installed.





Confirming Printer Operation

After completing the two procedures and reassembling the printer, perform the following steps:

- 1 Open the top cover and switch on power. After warming up, the jam light should illuminate. This indicates an operational DC controller board and top cover actuator system.
- 2 Close the top cover. Send a print job to the printer (or wait for the startup page to print). If the page prints and exits into the delivery tray, the board and actuator system are confirmed operational.
- 3 Connect a computer to the printer and print one page, using the multipurpose tray as the paper source. If the page picks up and feeds correctly, the multipurpose frame assembly is confirmed operational.





After confirming printer operation, you must mark the printer to show that it has undergone the REA work. The tool you will use is a DecoColor® opaque paint marker (white #300). This marker has been mailed to all service providers.

Note: Try the marker on a test surface before applying a mark to the printer. If you apply too much pressure, the paint may flow too quickly and run along the face of the chassis. Protect all adjacent surfaces.

- 4 Using light pressure, press a white dot onto the face of the black chassis just to the left of where the cassette slides in. The dot should be approximately one eighth inch (2-10 mm) in diameter.



Location of
White Dot





First-Remove Procedures

The following topics are taken from the take apart chapter of the LaserWriter 12/640 PS manual. These are the steps that you must perform prior to commencing the LaserWriter 12/640 PS REA procedures described in the previous topics.

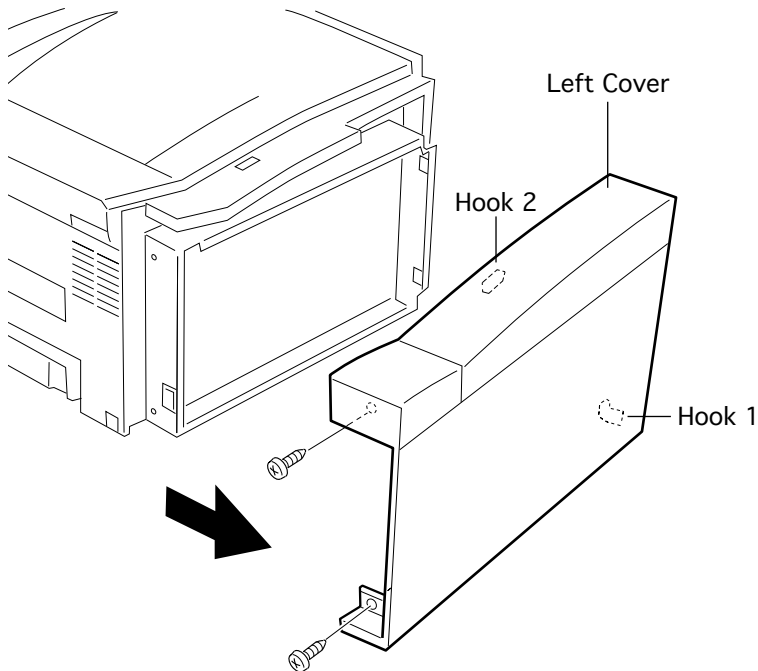




Left Cover

Before you begin, pull out the cassette and open the top cover.

- 1 Remove the two screws which fasten the rear end of the left cover.
- 2 Shift the cover leftward to disengage the hidden hook at the lower right, raise the cover to clear the hidden hook on the top, and pull the cover from the printer.

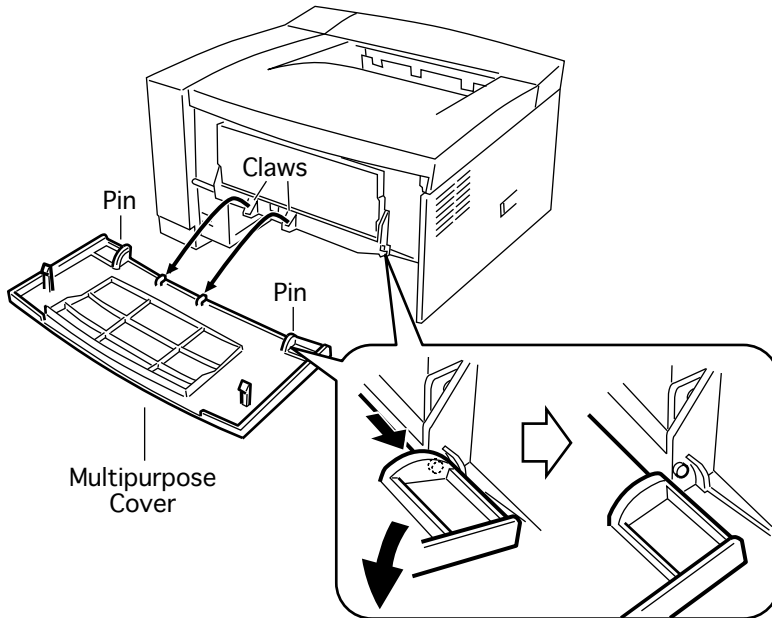




Multipurpose Cover

Before you begin, pull out the cassette.

- 1 Open the multipurpose cover.
- 2 Disengage the pins at both sides in the lower part of the cover and open the cover further to about 90 degrees.
- 3 Disengage the cover from the two claws and pull the cover off the printer.

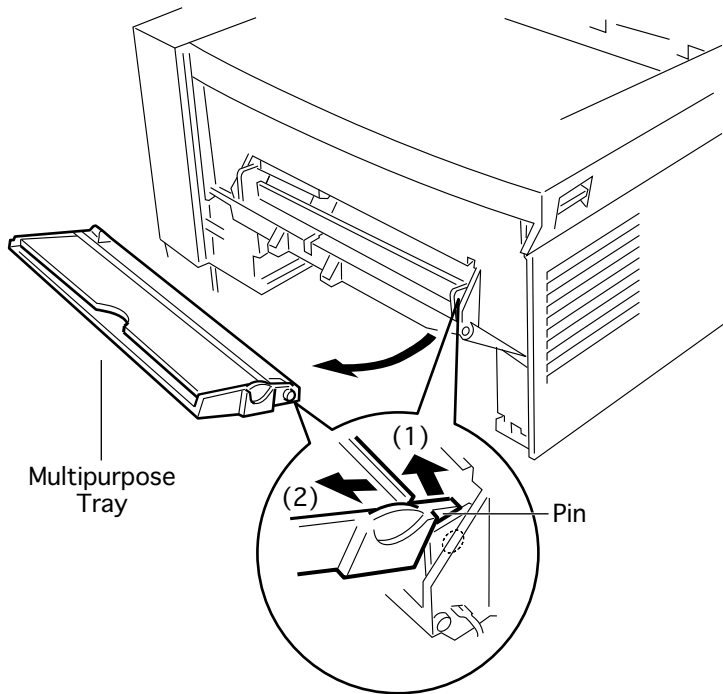


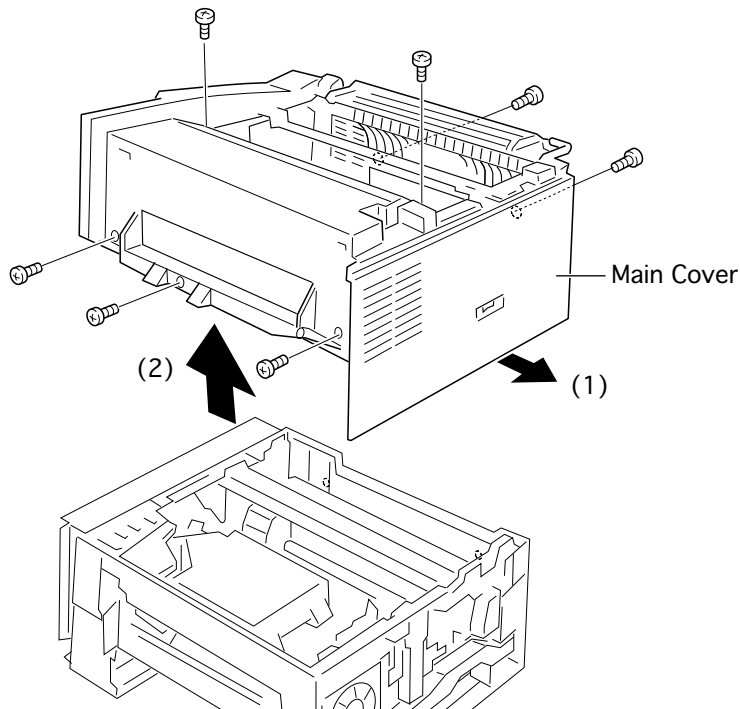


Multipurpose Tray

Before you begin, remove the multipurpose cover.

- 1 Using a small flat-blade screwdriver, release the pin on the right side of the multipurpose tray and pull the tray from the printer.





Main Cover

Before you begin, remove the following:

- Left cover
- Multipurpose cover
- Multipurpose tray

Note: The main cover is a fixed, one-piece housing that consists of the front, rear, and right panels. Seven screws secure the cover to the chassis.

- 1 Remove the three screws on the front side, two screws on the top side, and the two screws on



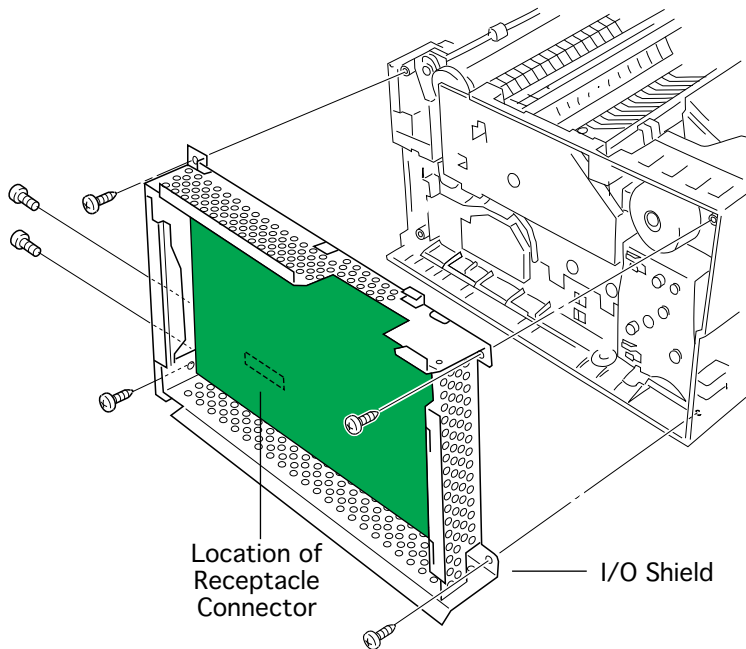


the rear side that secure the main cover to the chassis.

- 2 Flex outward the edge of the cover just below the power switch and lift the cover straight up from the chassis.

Replacement Note: A slight sideways pull from the I/O side helps seat the cover assembly.





I/O Shield

Before you begin, remove the following:

- Left cover
- Multipurpose cover
- Multipurpose tray
- Main cover

- 1 Remove the six screws that attach the I/O shield to the chassis and pull the I/O shield (with board in place) from the printer.

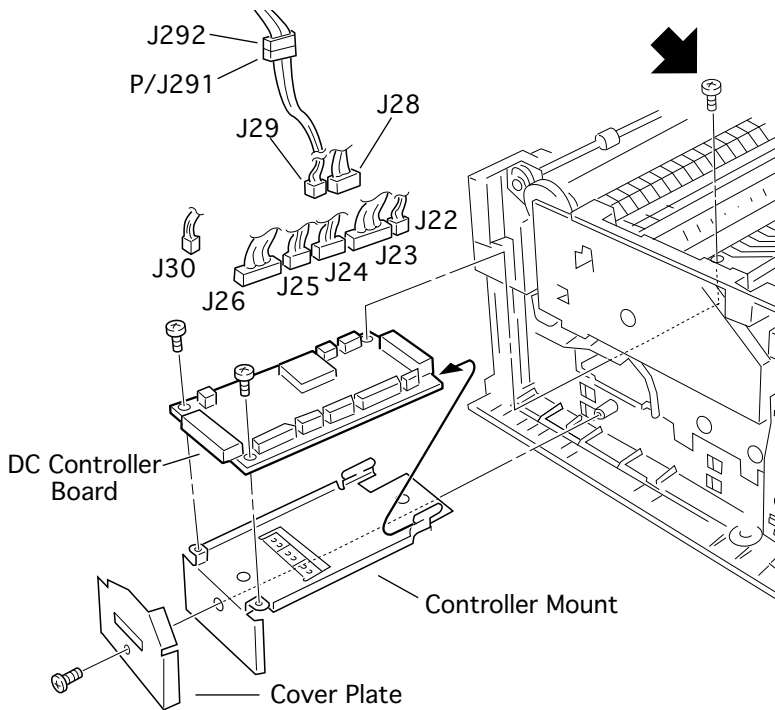
Note: The I/O board connects to the engine through a receptacle





connector. Remove the I/O shield carefully to avoid damaging this connector





DC Controller Board

Before you begin, remove the following:

- Left cover
- Multipurpose cover
- Multipurpose tray
- Main cover
- I/O shield

- 1 Remove the screw and the black cover plate.
- 2 Remove the screw that secures the rear edge of the controller mount to the chassis. This screw

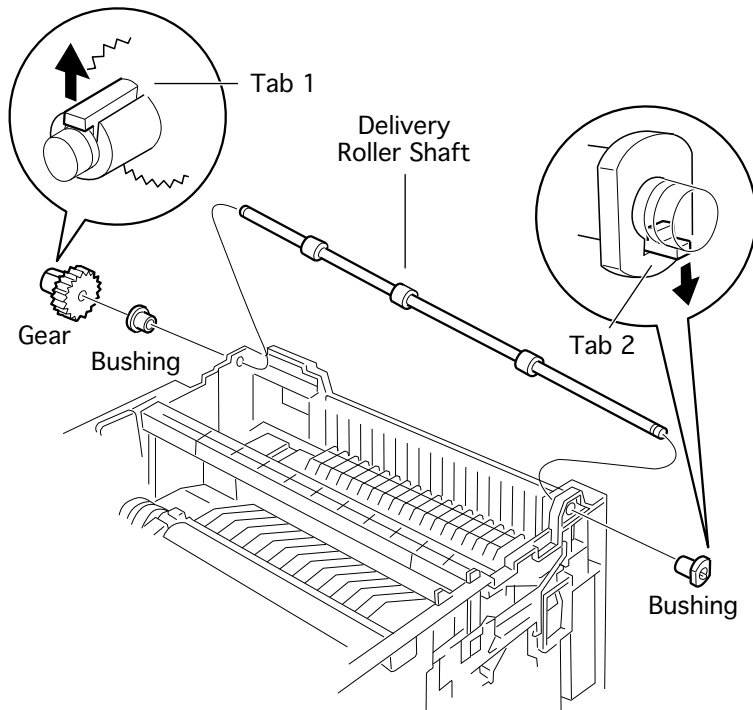




is accessible through a rounded notch in the fuser assembly.

- 3 Pull the DC controller board straight out of the printer. The board mates into a receptacle connector and may offer some resistance when you begin to pull.
- 4 Disconnect all connectors on the board.
- 5 Remove the two screws which fasten the DC controller board to its mount and separate the board from the mount.





Delivery Roller Shaft

Before you begin, remove the following:

- Left cover
- Multipurpose cover
- Multipurpose tray
- Main cover

- 1 Release the tab and slide the gear and bushing off the end of the shaft.
- 2 Release the tab at the opposite bushing, slide the shaft to clear the holes, and remove the shaft from the printer.



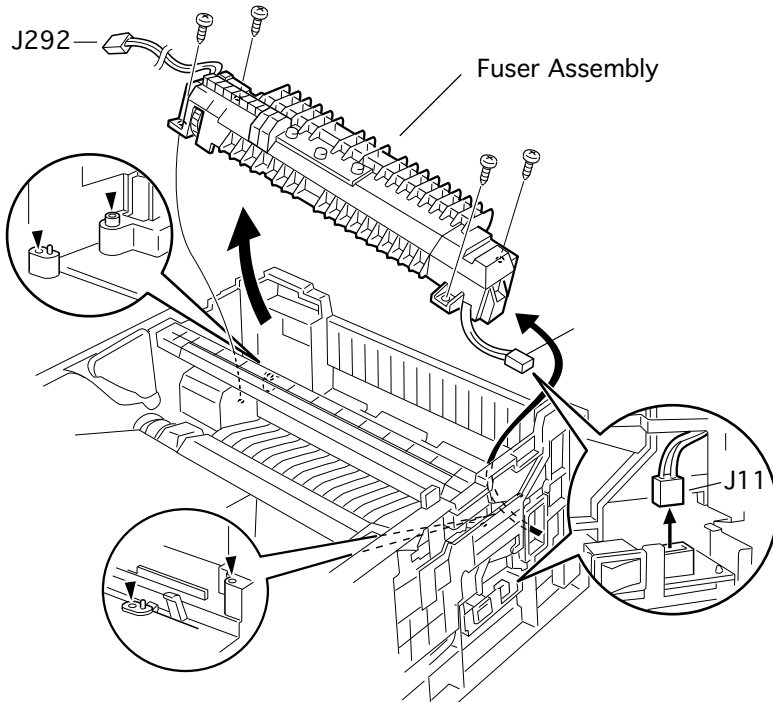


Fuser Assembly

Before you begin, remove the following:

- Left cover
- Multipurpose cover
- Multipurpose tray
- Main cover
- Delivery roller shaft

- 1 Disconnect the large white connector next to the power switch.
- 2 Remove the four screws that secure the fuser assembly to the printer.

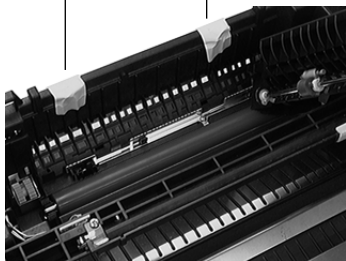




- 3 Raise the gear-side of the fuser and remove the entire assembly.



Tape Upper
Actuators Closed



Replacement Warning: The two exit actuators above the area of the fuser are extremely susceptible to damage during fuser replacement. Please tape these actuators closed as shown before reinstalling the fuser. Remove the tape after the fuser is in place.



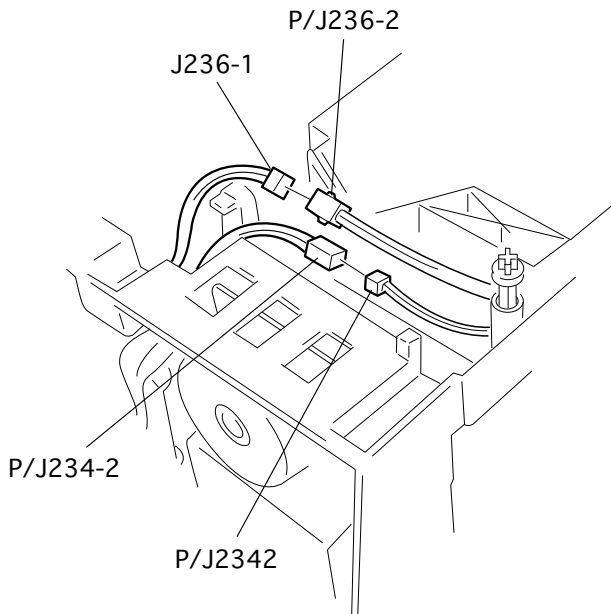


Multipurpose Frame Assembly

Before you begin, remove the following:

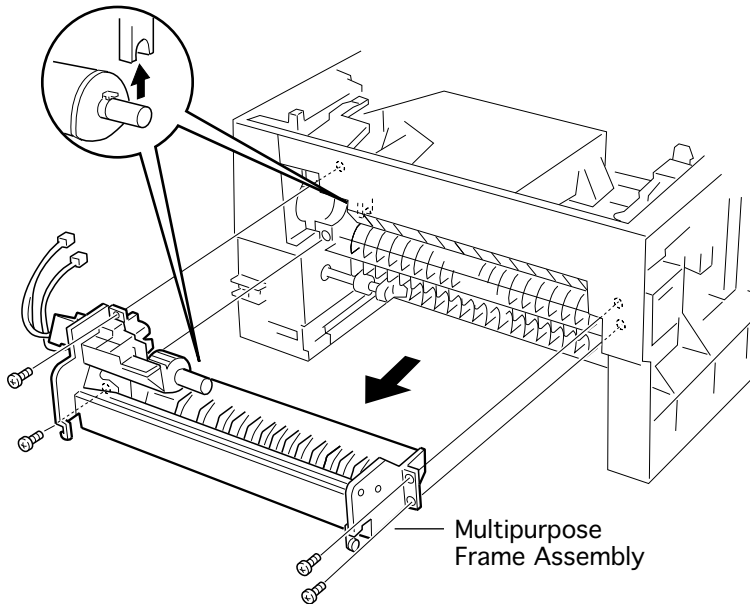
- Left cover
- Multipurpose cover
- Multipurpose tray
- Main cover

- 1 Disconnect the two cables that run along the motor-side of the laser/scanner assembly.





- 2 Remove the four screws and pull the multipurpose frame assembly from the chassis.



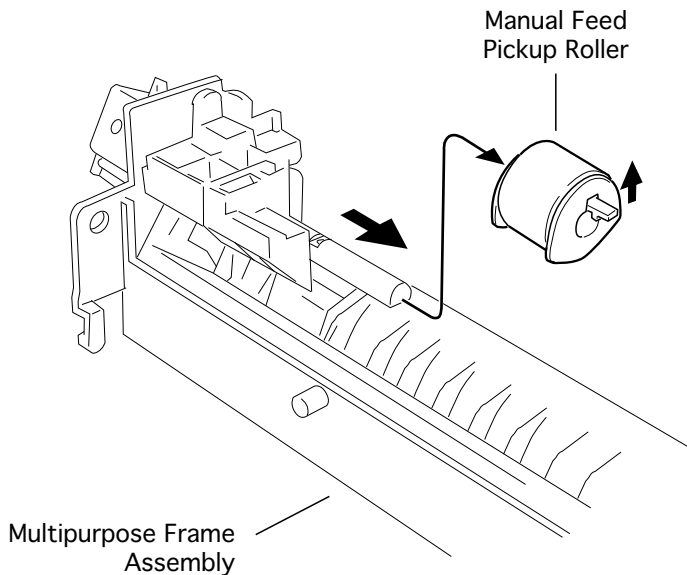


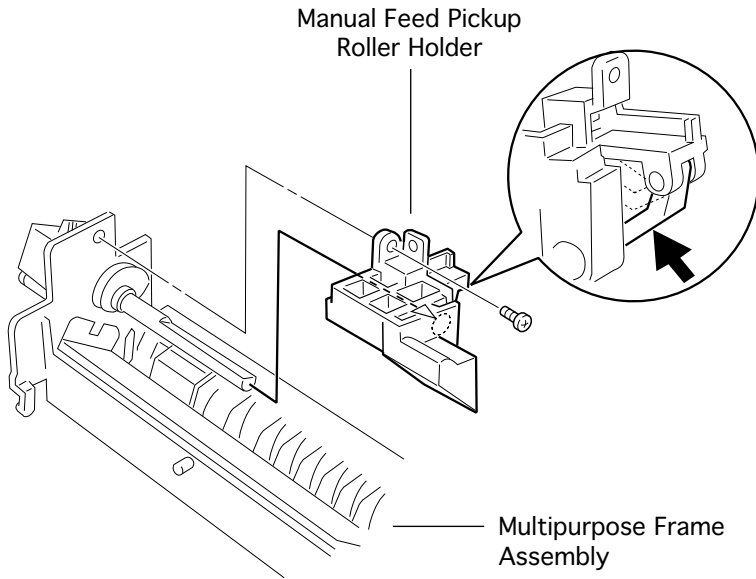
Manual Feed Pickup Roller

Before you begin, remove the following:

- Left cover
- Multipurpose cover
- Multipurpose tray
- Main cover
- Multipurpose frame assy

- 1 Release the latch and slide the manual feed pickup roller off the multipurpose frame assembly.





Manual Feed Pickup Roller Holder

Before you begin, remove the following:

- Left cover
- Multipurpose cover
- Multipurpose tray
- Main cover
- Multipurpose frame assy
- Manual feed pickup roller

- 1 Remove the one screw, press the lever, and slide off the manual feed pickup roller.



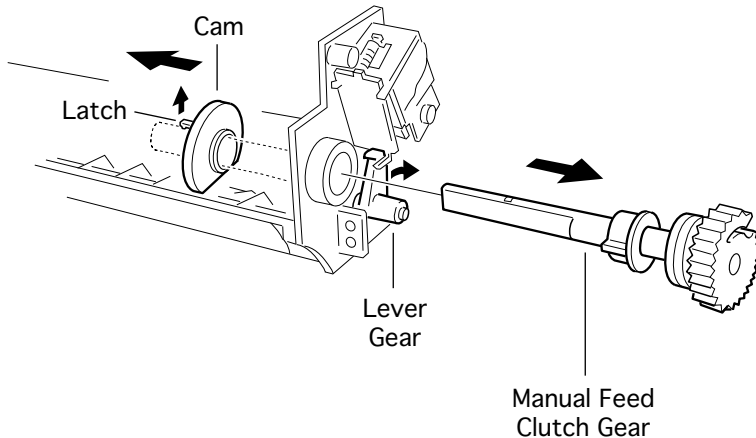


Manual Feed Clutch Gear

Before you begin, remove the following:

- Left cover
- Multipurpose cover
- Multipurpose tray
- Main cover
- Multipurpose frame assy
- Manual feed pickup roller
- Manual feed pickup roller holder

- 1 Release the latch and slide the cam off the shaft.





- 2 Press the lever gear and pull the manual feed clutch gear from the multipurpose frame assembly.

