



Apple Color OneScanner 1200/30





Basics

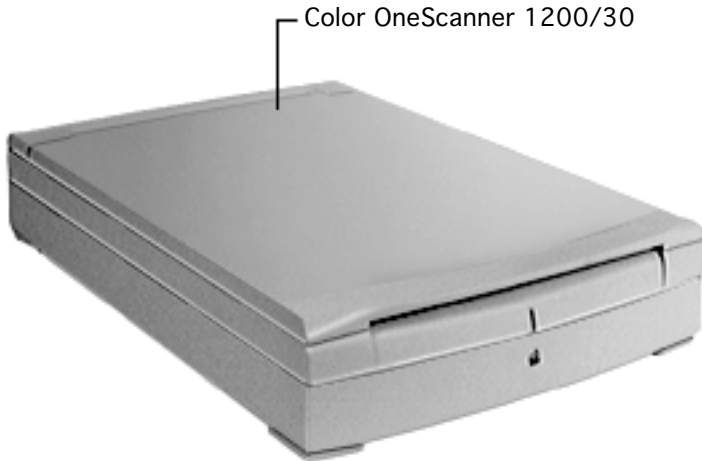
Apple Color OneScanner 1200/30

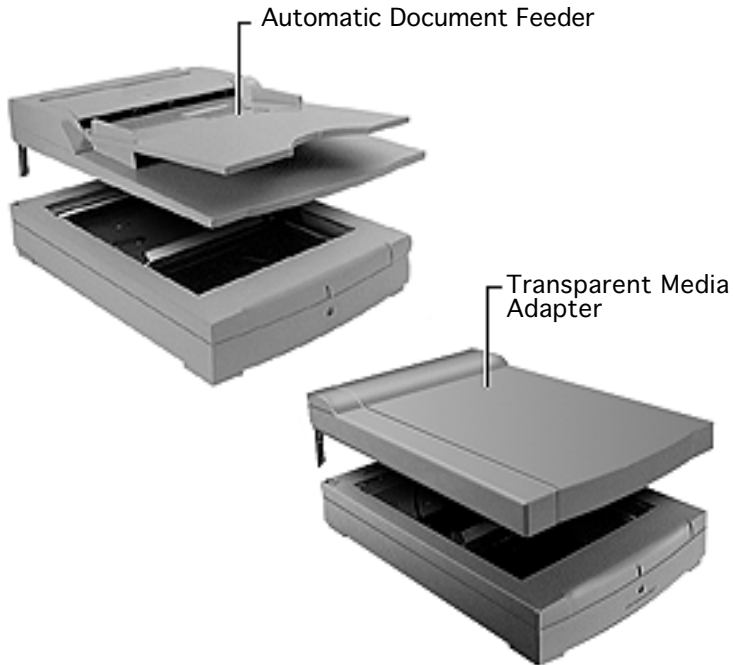




Overview

The Color OneScanner 1200/30 is a compact, digital-image color scanner with a maximum mechanical resolution of 600 x 1200 dpi.





Optional accessories include

- Automatic Document Feeder (ADF) with a 20-sheet capacity paper tray
- Transparent Media Adapter (TMA) that does a true negative-to-positive conversion of film negatives or overhead projector transparencies





Scanner Features

Features of the Color OneScanner 1200/30 include the following:

- 600 x 1200 dpi optical, 4800 x 4800 dpi interpolated, resolution for improved Optical Character Recognition (OCR) accuracy
- 30-bit scanning depth color that recognizes more than one billion colors
- Support for PICT, TIFF, GIF, JPEG, EPS, BMP, and Photoshop; compatible with most popular word processing, presentation, image-editing, page layout, and web-authoring software for the Macintosh
- OneScanner Dispatcher software that integrates with popular applications and provides the tools to scan, edit, and archive images or documents; supports Drag and Drop, and controls OCR, OCR to HTML conversion, printing, faxing, copying, and retrieving images





- Small desktop footprint of 16.3 in by 11.3 in
- Updated version of ColorSync for the closest possible color match between what is scanned, seen on the monitor, or printed
- Updated version of Xerox TextBridge for converting scanned documents into editable text or HTML format for a Web page
- Low-temperature lamp that provides better image quality and protects valuable originals from heat damage
- Optional 20-sheet capacity Automatic Document Feeder (ADF)
- Optional Transparent Media Adapter (TMA) that supports scanning transparent film sizes from 35 mm to 8.5 x 11 inches, and provides a highly accurate negative-to-positive film conversion





Product Comparison

The Color OneScanner 1200/30 and the Color OneScanner 600/27 share many features. However, the Color OneScanner 1200/30 provides superior resolution and color recognition as shown in the following table:

Color OneScanner 1200/30	Color OneScanner 600/27
30 bits, 600 x 1200 pixels	27 bits, 300 x 600 pixels
Recognizes more than one-billion colors	Recognizes up to 134-million colors

The Apple Color OneScanner 1200/30 also includes enhanced software versions of OneScanner Dispatcher and Xerox TextBridge. In addition, the Color OneScanner 1200/30 includes bundled software—Kai's Power Tools and Convolver—for advanced image manipulation.





Scanner Operation

Clicking the icon at left launches a MoviePlayer animation sequence that shows the three scanning cycles:



Color OneScanner.moov

- Flatbed scanning where the document remains stationary and the scanner lamp moves to scan from the front
- Automatic Document Feeder (ADF) scanning where the document moves and the scanner lamp remains in one position to scan from the front
- Transparent Media Adapter (TMA) scanning where the document remains stationary and the TMA lamp moves to scan from the back





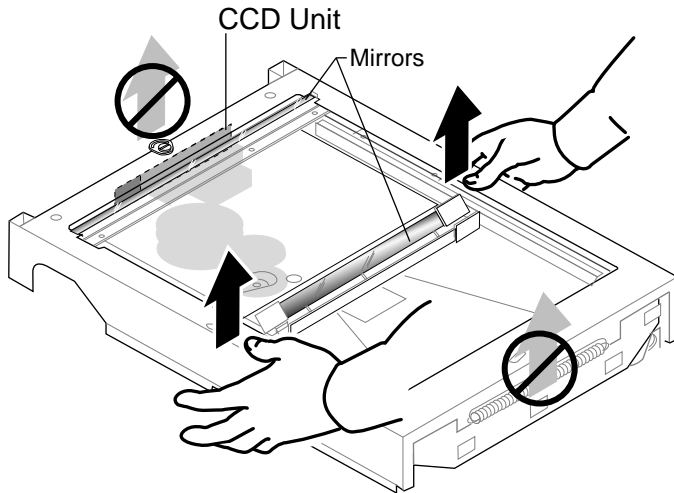
Optical Assembly Handling Precautions

Issue: The Color One Scanner 1200/30 optical assembly is being damaged during removal.

Solution: Apple recommends handling the scanner assembly by the longer sides (see illustration on next page) so that the printed circuit board (CCD unit) on the underside will not be damaged. The CCD unit is a delicate part located on the front, or shorter side of the assembly. If a service provider grabs or touches the CCD unit while removing or replacing the scanner, the scanner may not function. In addition, new packing was designed for the scanner unit.

Note: For additional information, refer to the Optical Assembly in Take Apart.





Hold or lift the optical assembly by the longer sides, never by the shorter sides.

Caution: Do not touch the printed circuit board (CCD Unit) or the mirrors.





Specifications

Apple Color OneScanner 1200/30





Characteristics (Flatbed)

Scanner Type	Flatbed, single-pass, 30-bit scanning
Scanner Resolution	600 x 1200 dpi 4800 x 4800 dpi interpolated
Maximum Document Size	8.5 x 11.7 in. (21.6 x 29.2 cm) 8.5 x 14 in. (21.6 x 35.6 cm) with optional Automatic Document Feeder (ADF)
Speed	6 seconds (full-page preview) 20 seconds (US letter size) Monochrome: 10 seconds (US letter size)



**Interface**

SCSI-2

Options

Automatic Document Feeder (ADF)

Transparent Media Adapter (TMA)

**System
Requirements**

13-inch display or larger

System software version 7.5 or later

At least 8 MB of RAM (need to increase memory additional 2 MB when using OneScanner Dispatcher with Kai's Power Tools or Convolver; 12 MB required to use OneScanner Dispatcher and Xerox TextBridge OCR software simultaneously)





Electrical

Line Voltage	100/120/200/220/240 VAC \pm 10%
Frequency	50-60 Hz
Power Consumption	35 W maximum





Physical

Size

Height: 3.1 in (79 mm)

Width: 11.3 in (287 mm)

Depth: 16.3 in (414 mm)

Weight

12.1 lb (5.5 kg)





Environmental

Operating Temperature

With the ADF: 50 to 90.5°F (10 to 32.5°C)

Without the ADF: 41 to 95°F (5 to 35°C)

Relative Humidity

With the ADF: 20 to 80% noncondensing

Without the ADF: 15 to 85% noncondensing





Troubleshooting

Apple Color OneScanner 1200/30





General

The Symptom Charts included in this chapter will help you diagnose specific symptoms related to your product. Because cures are listed on the charts in the order of most likely solution, try the first cure first. Verify whether or not the product continues to exhibit the symptom. If the symptom persists, try the next cure. (Note: If you have replaced a module, reinstall the original module before you proceed to the next cure.)

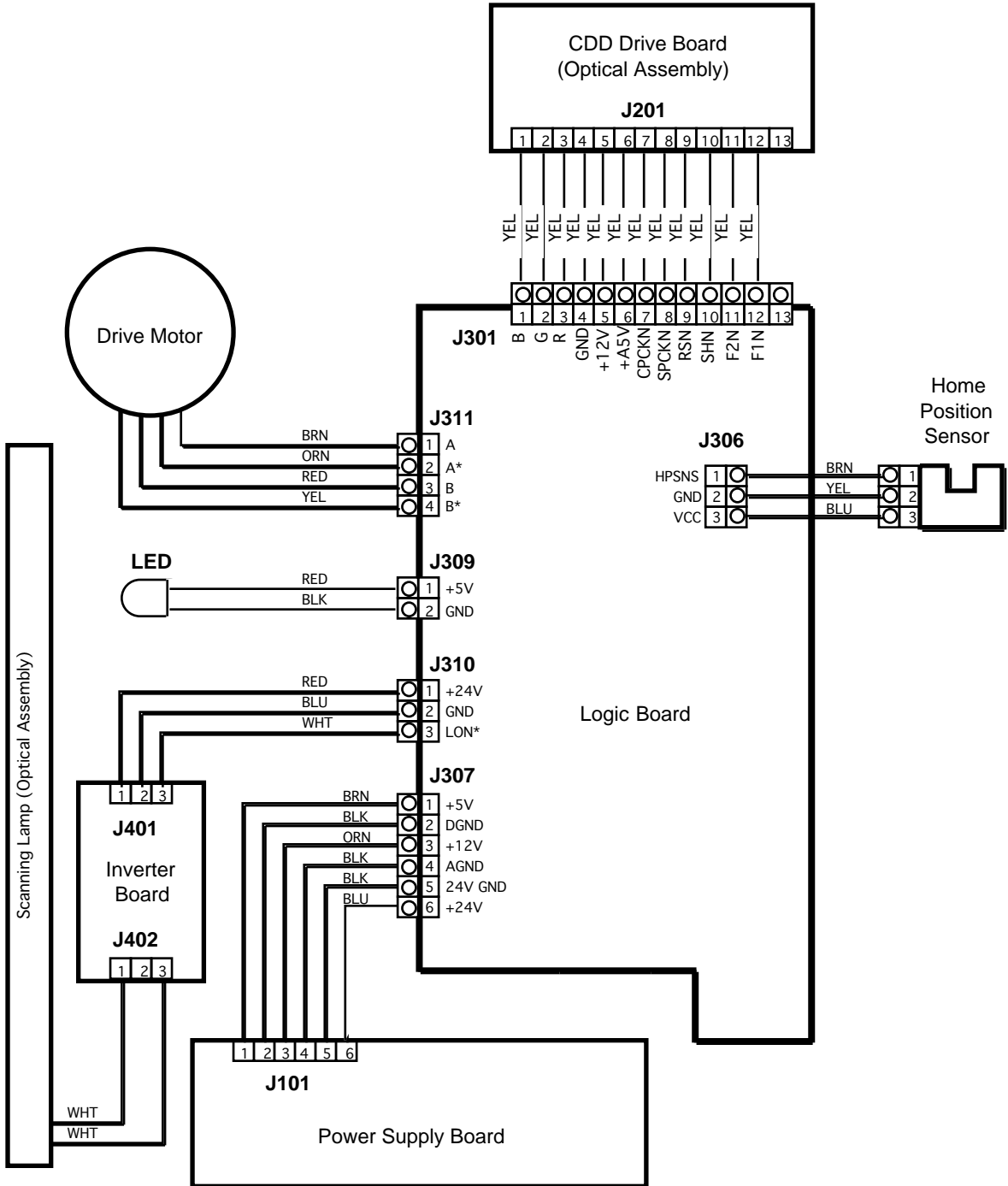
If you are not sure what the problem is, or if the Symptom Charts do not resolve the problem, refer to the Flowchart for the product family.

For additional assistance, contact Apple Technical Support.





Wiring Diagram





Symptom Charts

Normal Start-Up Sequence (Flatbed Scanning)

Important: Disconnect the scanner's SCSI cable before beginning the start-up sequence. Even when turned off, some computers will not allow the scanner's normal start-up sequence to begin if the SCSI cable is connected.

- 1 Power on
- 2 Power LED lights
- 3 Logic board self-tests
- 4 Lamp turns on
- 5 Optical assembly moves to home position sensor at top of glass
- 6 Lamp turns off, then on
- 7 Lamp intensity checked with reflection of white on back of glass
- 8 Origin of scan is determined by black strip on back of glass
- 9 Lamp moves about 3 mm down
- 10 Lamp moves back to home position sensor
- 11 Lamp turns off
- 12 Ready

Start-Up Troubleshooting Tips

When scanner is turned on, there is a chattering sound and it will not scan

Unlock the scanner by opening the top cover and using a coin or flat-blade screwdriver to turn the locking mechanism, located at the top of the glass. **Note:** The arrow that points to the lock or unlock icon is at 90 degrees from the slot. See the Additional Procedures chapter for more information.

When trying to scan from the Dispatch software, this message appears: "Unable to initialize the scanner driver. Either the scanner is not turned on, connected, or already in use by another application."

- 1 The most common cause is that the scanner was turned on after the Macintosh. Always be sure the scanner is turned on, then turn on the Macintosh. Observe the INITs as the Macintosh starts up. The INIT for the scanner appears as a side view of the scanner. This is the driver loading.
- 2 If the scanner INIT does not appear, reinstall the scanner driver. If the icon appears with an "X" through it, there is a SCSI problem.
- 3 Check the SCSI ID and cables.

The SCSI select switch doesn't select the correct SCSI ID

The label may not be lined up correctly to the position of the switch. Put the switch in the 12 o'clock position and then count to the correct SCSI ID.





General Troubleshooting

No LED (no power)

- 1 Check external power cord and incoming voltage.
- 2 Remove the covers, glass, and optical assembly. Check AC voltage to power supply board by turning on power and testing for rated AC voltage at the AC input pin (pin L) on the power supply board. If readings are not to rated voltages, replace power supply board.
- 3 With power off, reconnect the optical assembly at J301. Turn on power and check voltages at J101.

J101	DC Voltage
GND-1	4.75 to 5.25
GND-3	11.4 to 12.6
GND-6	21.6 to 26.4

- 4 If any voltages are not correct, replace the power supply board.
- 5 Turn off scanner. With power off, remove connector J301 from the logic board. Turn on power and recheck the voltages at J101. If readings are within specified ranges, replace the optical assembly since the CCD driver is faulty.
- 6 Turn off scanner and reconnect J301.
- 7 With power off, remove connector J311 from the logic board. Turn on power and recheck the voltages at J101. If readings are within specified ranges, replace the drive motor.
- 8 Turn off scanner and reconnect J311.
- 9 With power off, remove connector J306 from the logic board.
- 10 Turn on power and recheck voltages at J101. If readings are within specified ranges, replace the home position sensor and/or home position sensor cable.
- 11 Turn off scanner and reconnect J306.
- 12 With power off, remove connector J309 from the logic board.
- 13 Turn on power and recheck voltages at J101. If readings are within specified ranges, replace the LED cable. If readings are not within specified ranges, replace the logic board.
- 14 Turn off scanner and reconnect J309.





Lamp does not light

- 1 Check connection at J402.
- 2 Remove the covers, glass, and optical assembly. With power off, reconnect the optical assembly at J301. Turn on power and check voltages at J101.

J101	DC Voltage
GND-1	4.75 to 5.25
GND-3	11.4 to 12.6
GND-6	21.6 to 26.4

- 3 If any voltages are not correct, replace power supply board.
- 4 Connect J310 pin 2 to ground. Verify that scanner lamp lights. If lamp does not light, replace logic board.
- 5 Connect J402 pin 2 on the inverter board to ground. Verify that scanner lamp lights. If lamp does not light, replace the inverter board. If lamp lights, replace the optical assembly.

Lamp turns on, but scanner drive motor is not working

- 1 Make sure scanner optical assembly is unlocked. See Additional Procedures chapter for information.
- 2 Check connections at J307 and J311.
- 3 Remove optical assembly and turn on scanner. If motor works, make sure glass is oriented correctly. Go to symptom “Scanner does not find Home sensor” in this chapter.
- 4 With the scanner on, check voltages at connector J101.

J101	DC Voltage
GND-1	4.75 to 5.25
GND-3	11.4 to 12.6
GND-6	21.6 to 26.4

- 5 If any voltages are not correct, go to symptom “No LED (no power)” in this chapter.
- 6 Turn off power and check resistance in the drive motor by measuring at connector J311.

J311 pins	Resistance
1 and 2	About 17.3 ohms
3 and 4	About 17.3 ohms

- 7 If resistance is not correct, replace drive motor. If resistance is correct, check connection at J311 and if it is normal, replace logic board.





Problem with lamp intensity checked or origin of scan area

- 1 Make sure glass is oriented correctly and that nothing is blocking the black strip or upper portion of the glass.
- 2 Replace glass.

Scanner does not find Home sensor; scanner drive motor does not move mirror, even when optical assembly is removed

- 1 Inspect mirror assembly on optical assembly for damage to the home position flag. Replace optical assembly if needed.
- 2 Replace home sensor (photo-interrupter).
- 3 Replace logic board.

When the Apple Color OneScanner Plug-in is moved to the Photoshop Acquire folder, it doesn't work. The Dispatch doesn't work either.

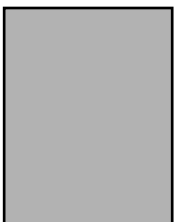
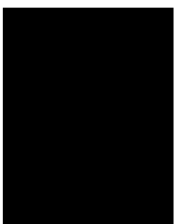
The Apple Color OneScanner Plug-in must be left in its folder. You can make a copy of it, or an alias, and put that in the Acquire folder. You cannot change the name of the original plug-in. It must keep the name "Apple Color OneScanner."





Image Defects

Image not correct, white only, black only, or gray.



- 1 Check SCSI cable connection.
- 2 Check whether scanning lamp is lighting. If not, go to symptom “Lamp does not light” in this chapter.
- 3 With power off, remove connector J307. Turn on power and check voltages at J101 on the power supply board.

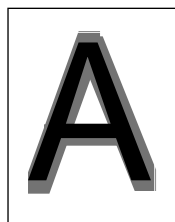
J101	DC Voltage
GND-1	4.75 to 5.25
GND-3	11.4 to 12.6
GND-6	20.4 to 27.6

- 4 If these voltages are not present, go to symptom “No LED (no power)” in this chapter.
- 5 Replace logic board.
- 6 Check connector at J301 and if it is normal, replace optical assembly.





Image blurred

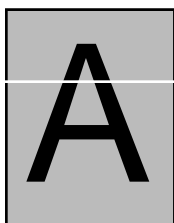
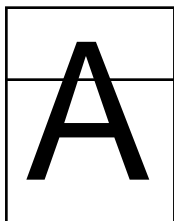


- 1 Use a soft, dry cloth to clean top of glass.
- 2 Check mirror for dust or obstructions.
- 3 Replace optical assembly.





Uneven image density
or lines (horizontal)

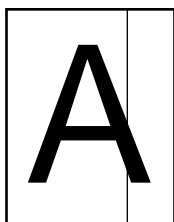
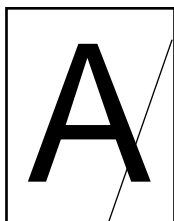
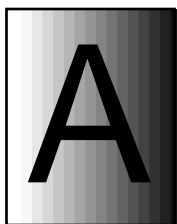


- 1 Use a soft, dry cloth to clean top of glass.
- 2 Check underside of glass to make sure the white plate is intact.
- 3 Check connections at J301 and J310 on the logic board.
- 4 Replace logic board.
- 5 Replace optical assembly.





Uneven image density or lines (vertical)

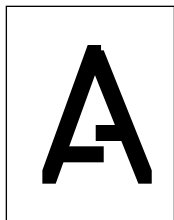


- 1 Use a soft, dry cloth to clean top of glass.
- 2 Check underside of glass to make sure the white plate is intact.
- 3 Check mirrors for dust or obstructions.
- 4 Replace logic board.
- 5 Replace optical assembly.





Image is misaligned
(vertical)



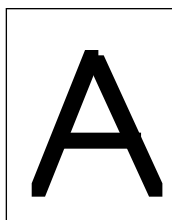
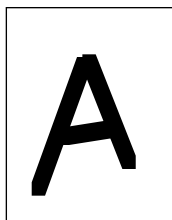
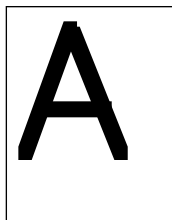
- 1 Make sure the mirror on the optical assembly is not obstructed.
- 2 Replace optical assembly.





Image is distorted

- 1 Replace optical assembly.
- 2 Replace logic board.





Automatic Document Feeder (ADF)

When using the Automatic Document Feeder (ADF), the scan shows a blank page or a strange vertical pattern

Check to see if paper has been left on the flatbed. Before using the ADF, always check to see that the flatbed is empty.

Cannot fax multiple pages with the ADF

Scan each page and merge them together before faxing them.

ADF does not feed paper to scanner

- 1 Check connection at document feeder connector cable.
- 2 Close document feeder cover completely.
- 3 Verify that document originals in the feeder are standard office papers and do not exceed the maximum thickness of 2 mm (5/64 in) or 20 sheets.
- 4 Verify that document originals are free from
 - Tears, perforations, or punch holes
 - Curls or wrinkles
 - Carbon backing or coarse texture
 - Labels, tape, or glue
 - Staples or clips
- 5 Replace logic board.





Transparent Media Adapter (TMA)

Lamp does not light;
lamp does not move

- 1 Connect Transparent Media Adapter (TMA) connector cable.
- 2 Go to symptom “Lamp does not light” in this chapter.

When scanner is
turned on, there is a
chattering sound and
it will not scan

Unlock the TMA lamp by tilting the TMA up and pressing the lock switch located between the two hinges.

Scanned image is
overexposed

- 1 Verify that originals are loaded into the film guide correctly so that there are no horizontal gaps around the perimeter of the film and that any empty slots in the film guide are filled by shutter strips.
- 2 Close the TMA cover securely.

Scanned image is
reversed left-to-
right

Position the original so the desired image is face down.

Color quality is poor

If using a film guide, align the “V” mark on the film guide with the “V” mark on the scanner glass. If not using a film guide, place the film or transparency on the scanner glass so the top edge of the original is at least 15 mm away from the top edge of the scanner glass. Do not obstruct the calibration strip.

A mark or line
consistently appears
in same place on
scanned images

- 1 Use a soft, dry cloth to clean diffuser.
- 2 Wipe film or transparency with a clean, dry cloth.
- 3 Replace film or transparency with unmarked copy.

Edge of the scanned
image is dark

- 1 Reposition the film or transparency so it is 7 mm from the edge of the scanner glass.
- 2 Verify that the TMA cover is closed securely.

Striped pattern
appears on scanned
image

Use a soft, dry cloth to clean diffuser, film, or scanner glass.





Take Apart

Apple Color OneScanner 1200/30





Top Cover with Hinge

No preliminary steps are required before you begin this procedure.

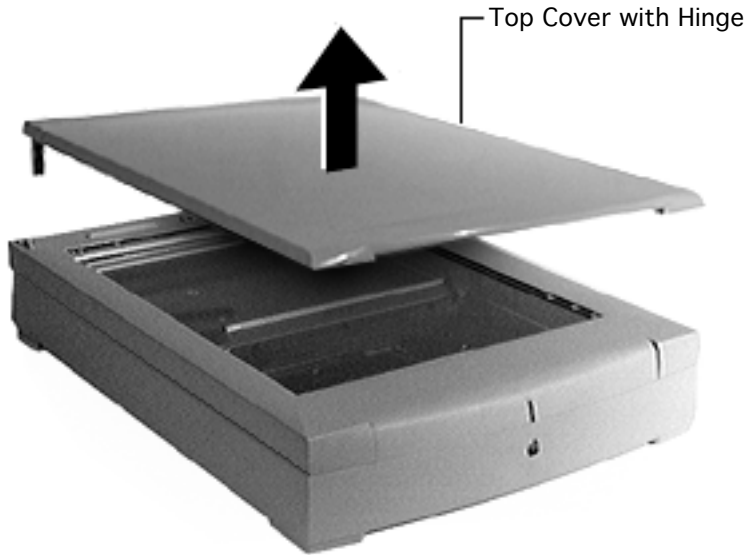


Top Cover with Hinge





Lift the top cover straight off the scanner.



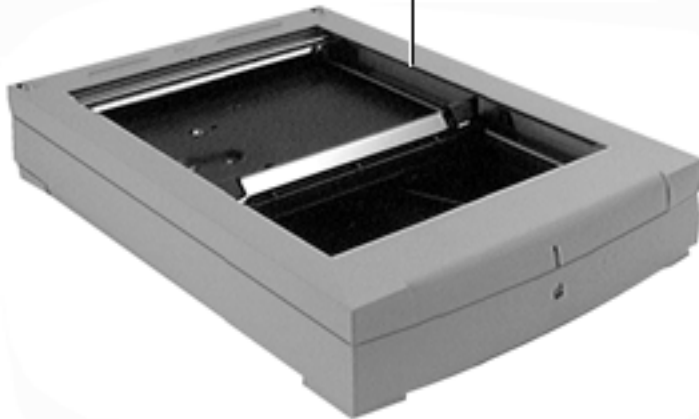


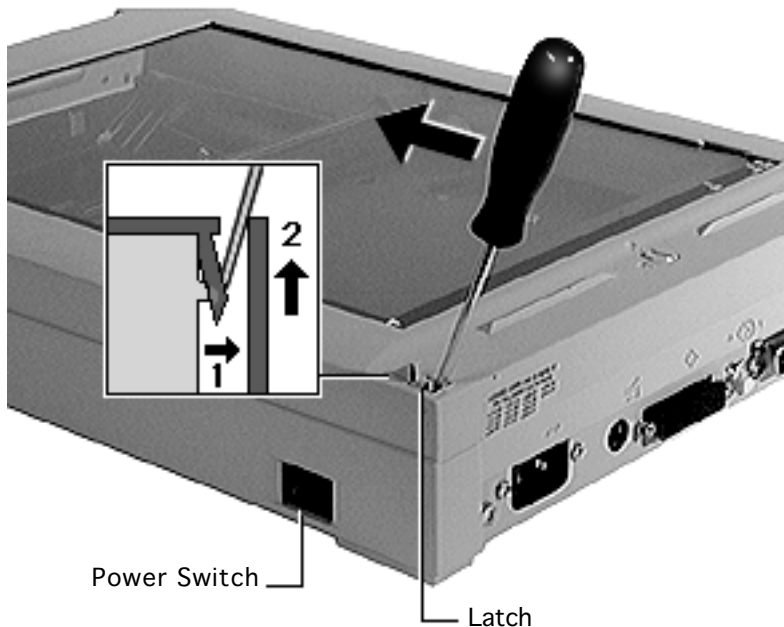
Glass Cover

Before you begin, remove the top cover with hinge.

Caution: Review the ESD precautions in Bulletins/Safety.

Glass Cover

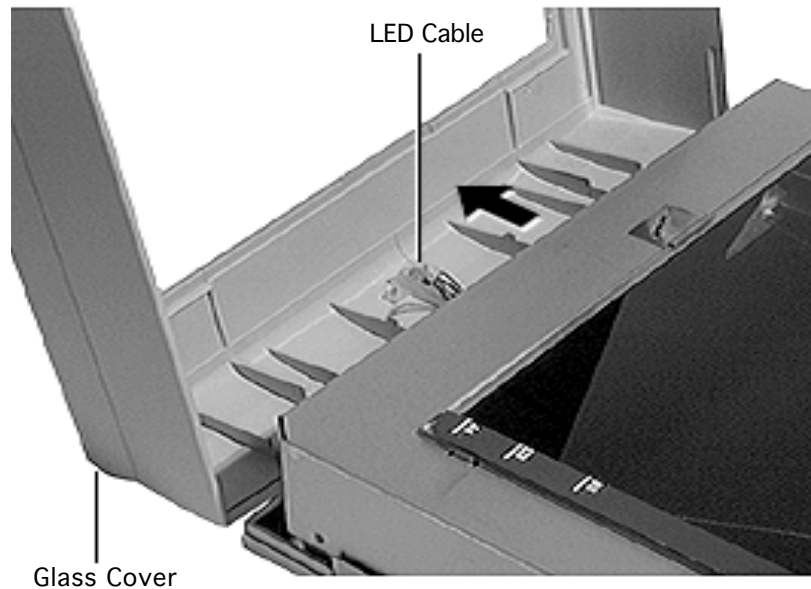




- 1 Using a jeweler's flat-blade screwdriver, release the two glass cover latches.
- 2 While pressing the power switch, carefully lift off the glass cover.

Caution: When removing the glass cover assembly, be sure you don't damage the LED cable.

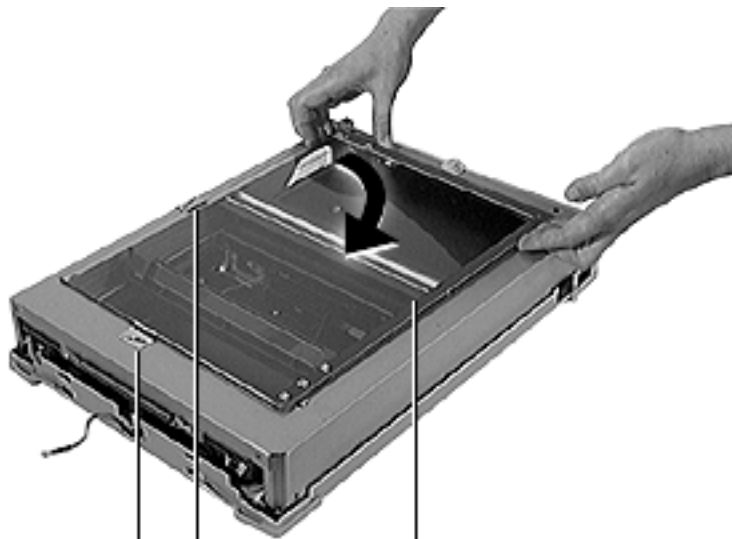




- 3 Raise the glass cover assembly to 90 degrees and disconnect the LED cable by pushing the LED toward the top of the glass cover.
- 4 Remove the glass cover from the scanner.

Caution: When the glass cover is removed, do not tilt the scanner on its side, or the glass may slip off.





Glass Holder
Clip

Glass Holder
Clip

Glass
Clip

- 5 Grasp the glass by its edges, and taking care not to bend the glass holder clips, slightly lift the glass and rotate it clockwise to release it from the glass holder clips.

Handle the glass by its edges and place it in a clean area.





Optical Assembly

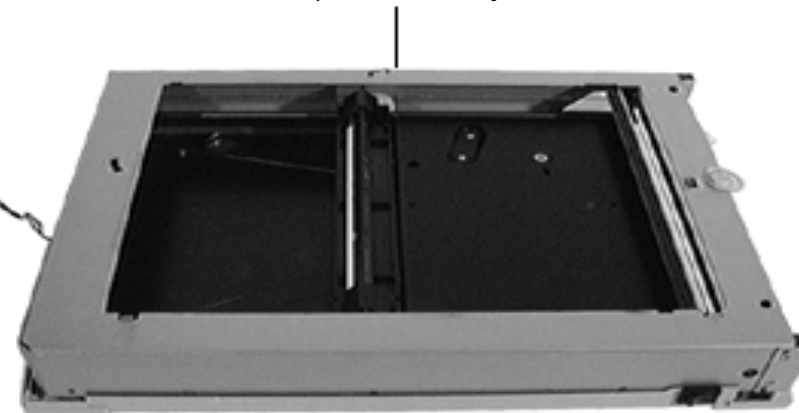
Before you begin, remove the following:

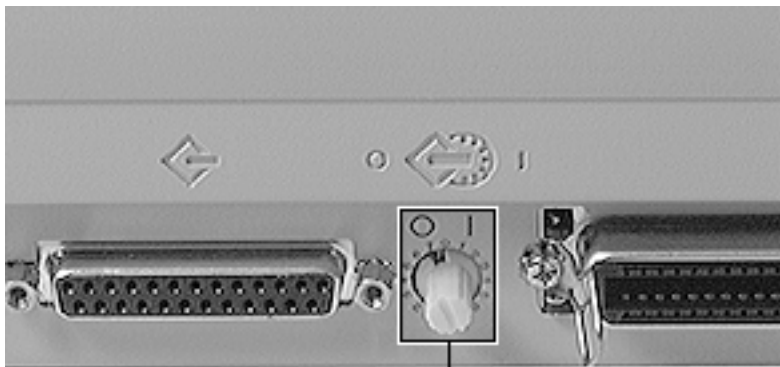
- Top cover with hinge
- Glass cover assembly

Caution: Review the ESD precautions in Bulletins/ Safety.

- 1 Verify that
 - Scanner power is off
 - Power cord is connected
 - SCSI cable is disconnected

Optical Assembly





SCSI ID Switch



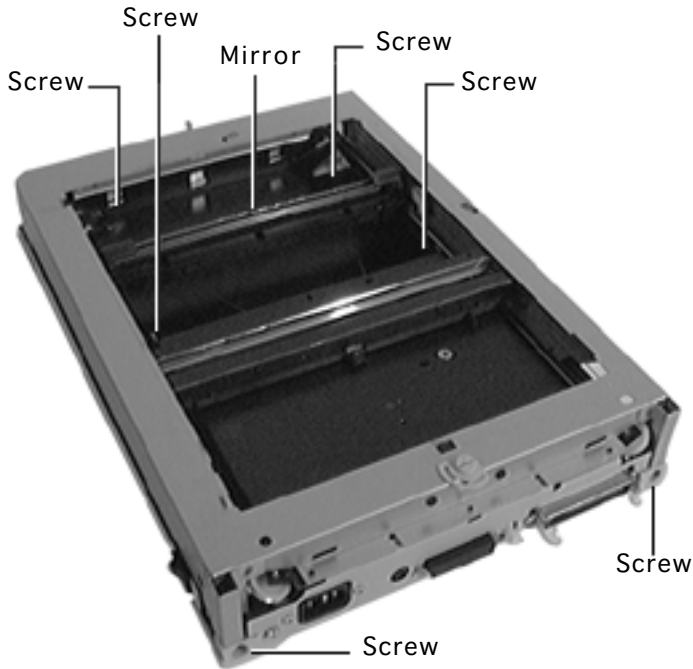
2 Set the SCSI ID switch to 7 (terminator off position).

3 Turn on the scanner power.

Wait for the startup sequence to finish and the lamp to turn off. (For a description of the normal startup sequence, refer to the Troubleshooting chapter.)

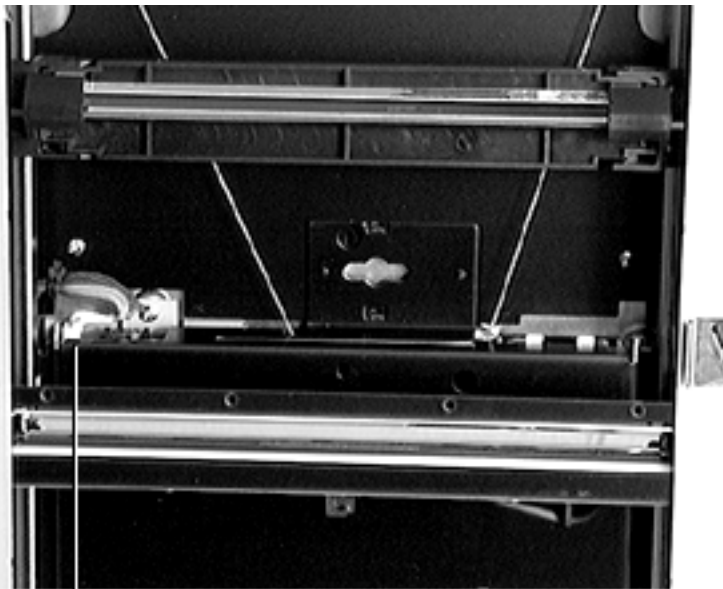
4 Set the SCSI ID switch to 0 (terminator on position).





- 5 Set the SCSI ID switch back to 7, then back to 0, and finally back to 7.
- 6 After about 10 seconds, the lamp and mirror will move. When the mirror has reached the position where it is between the set of four screws on the bottom, turn off the scanner.
- 7 Using a Phillips screwdriver, remove
 - Four screws and lockwashers
 - Two screws at rear feet

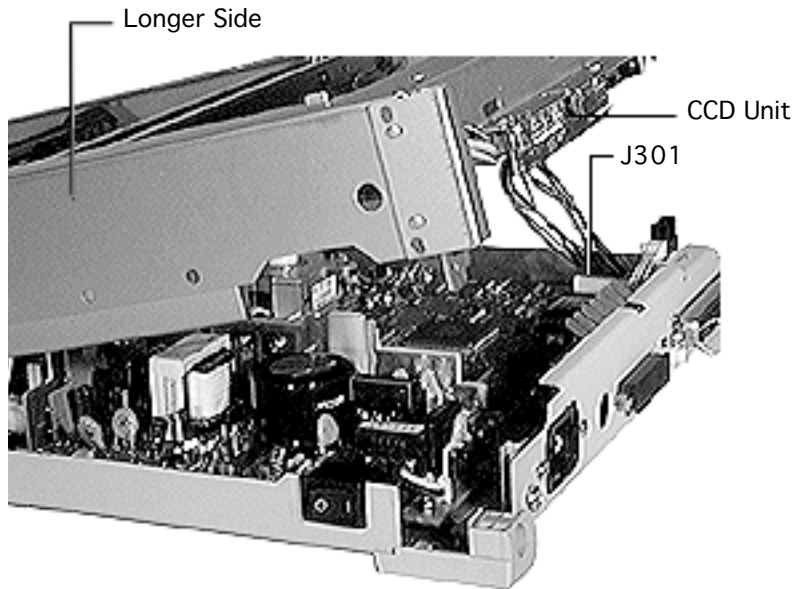




J402

- 8 Using a needlenose pliers, carefully remove connector J402 from the logic board.

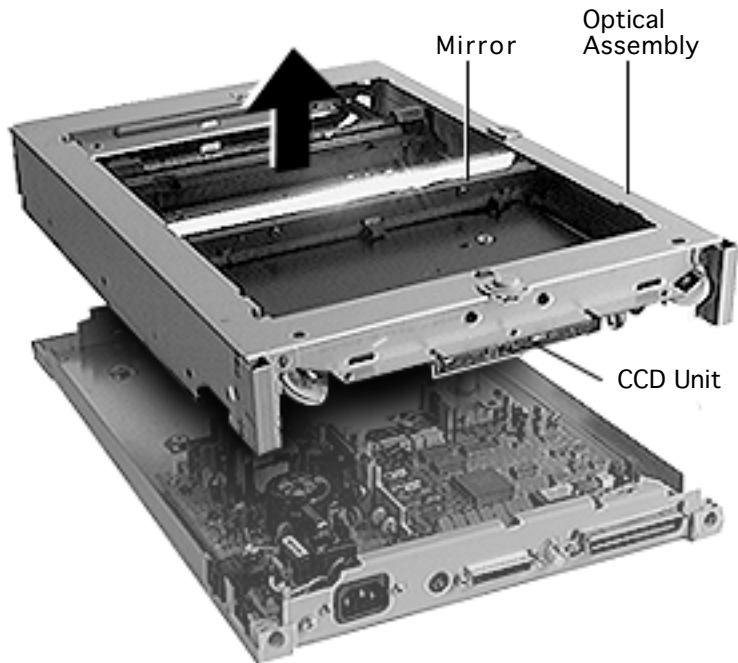




- Carefully lift the optical assembly and remove connector J301 from the inverter board.

Caution: Handle the scanner assembly by the longer sides so that the printed circuit board (CCD unit) on the underside will not be damaged.





10 **Note:** Do not touch the mirror or the printed circuit board (CCD unit) on the optical assembly.

Remove the optical assembly from the scanner.





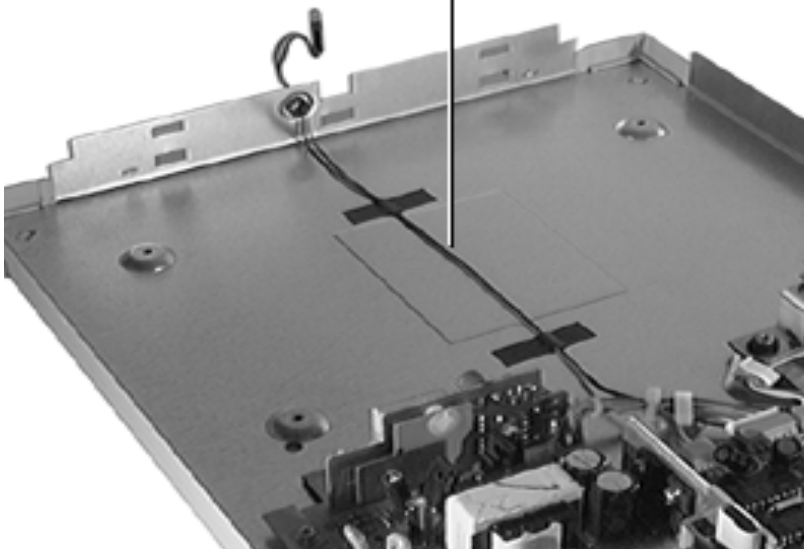
LED Cable

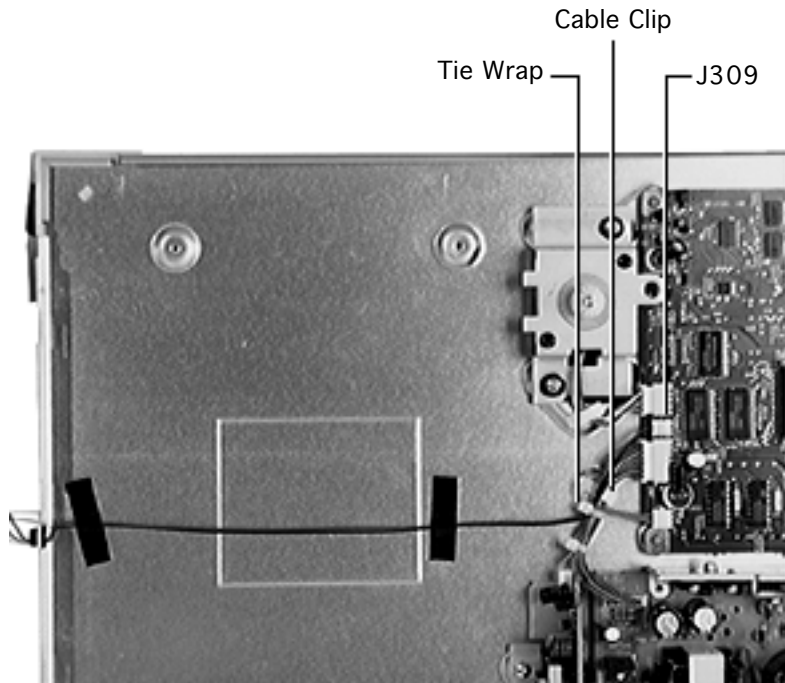
Before you begin, remove the following:

- Top cover
- Glass cover assembly
- Optical assembly

Caution: Review the ESD precautions in Bulletins/ Safety.

LED Cable



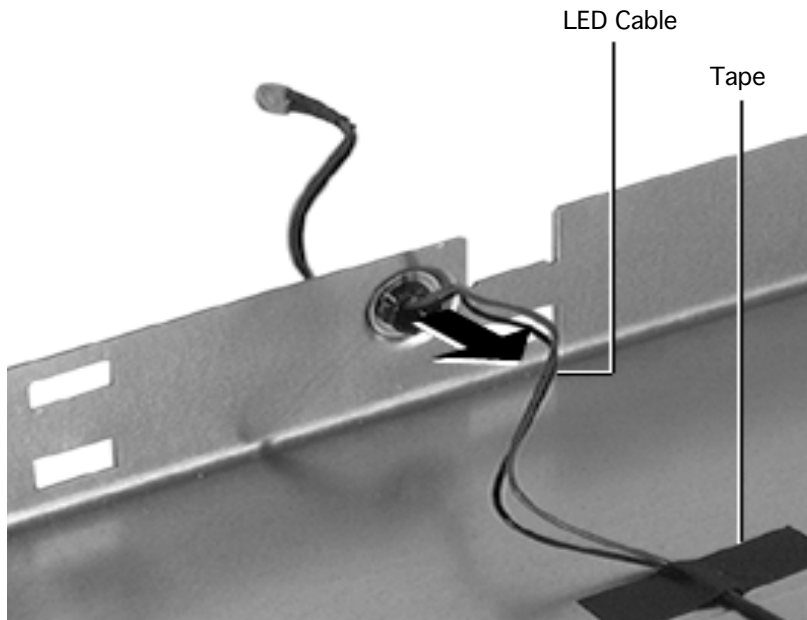


- 1 Disconnect connector J309 from the logic board.
- 2 Remove the cable from the cable clip and cut the tie wrap.





- 3 Remove the tape and LED cable from the bottom case.





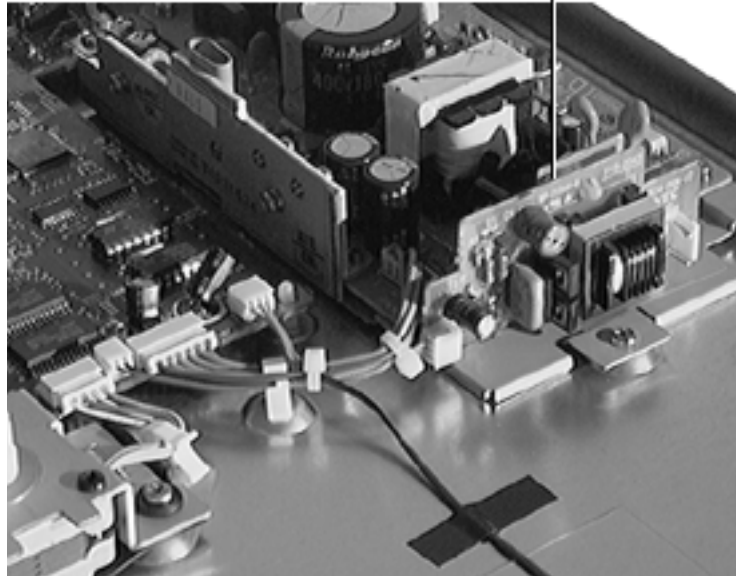
Inverter Board

Before you begin, remove the following:

- Top cover
- Glass cover assembly
- Optical assembly

Caution: Review the ESD precautions in Bulletins/ Safety.

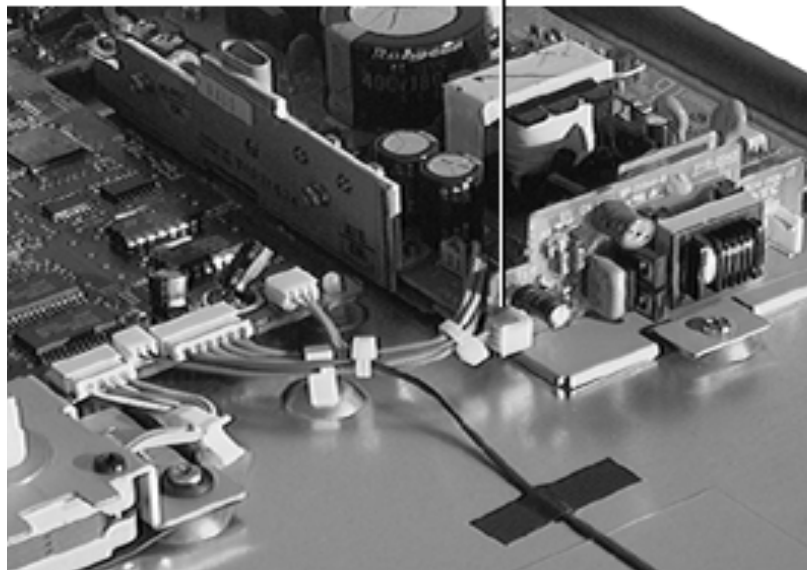
Inverter Board





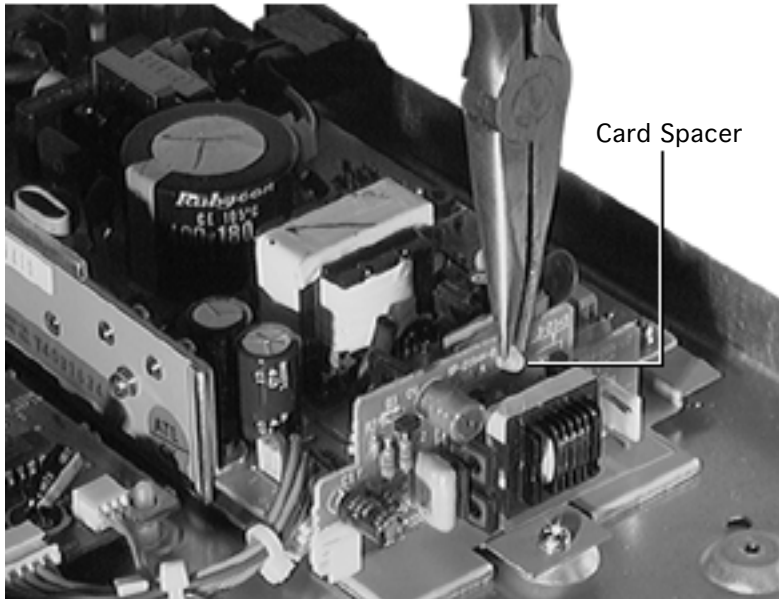
- 1 Disconnect connector J402 from the inverter board.

J402





- 2 Using a pair of needlenose pliers, squeeze the card spacer tabs and remove the inverter board.



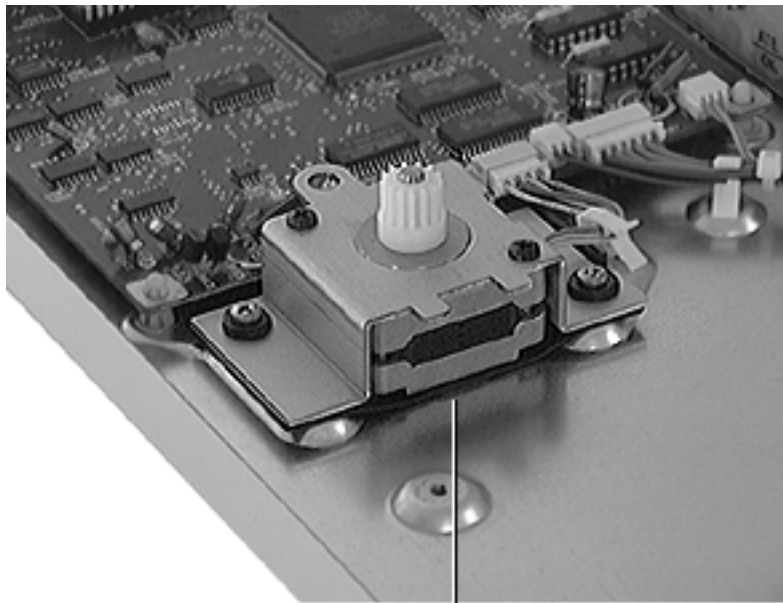


Drive Motor and Bracket

Before you begin, remove the following:

- Top cover
- Glass cover assembly
- Optical assembly

Caution: Review the ESD precautions in Bulletins/ Safety.

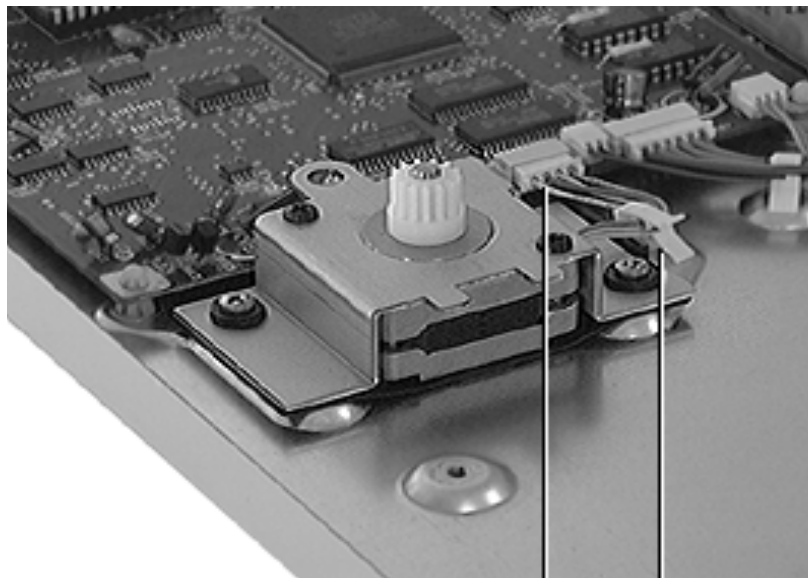


Drive Motor





- 1 Remove connector J311 from the logic board.
- 2 Remove the cable from the cable clip.



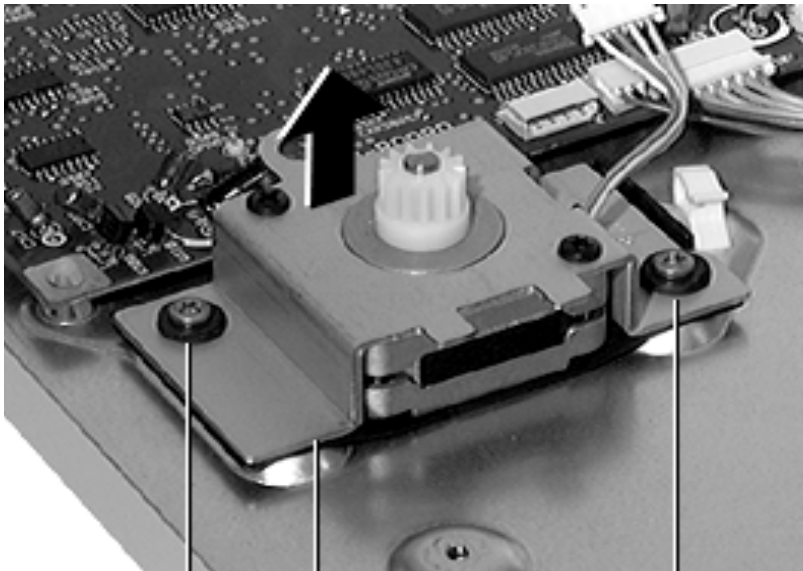
J311

Cable Clip





- 3 Remove the two screws and washers.
- 4 Remove the drive motor and bracket from the bottom case.

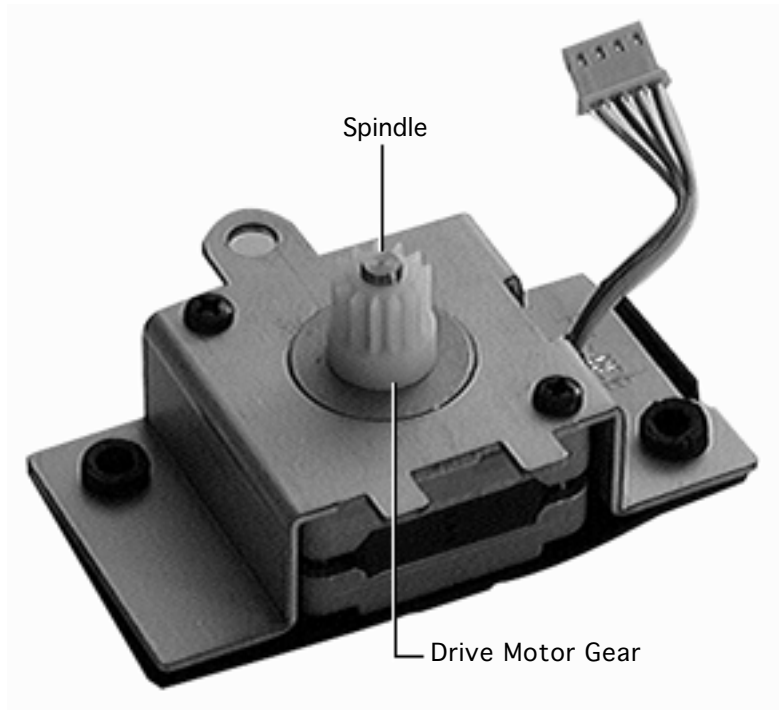


Screw

Drive Motor

Screw

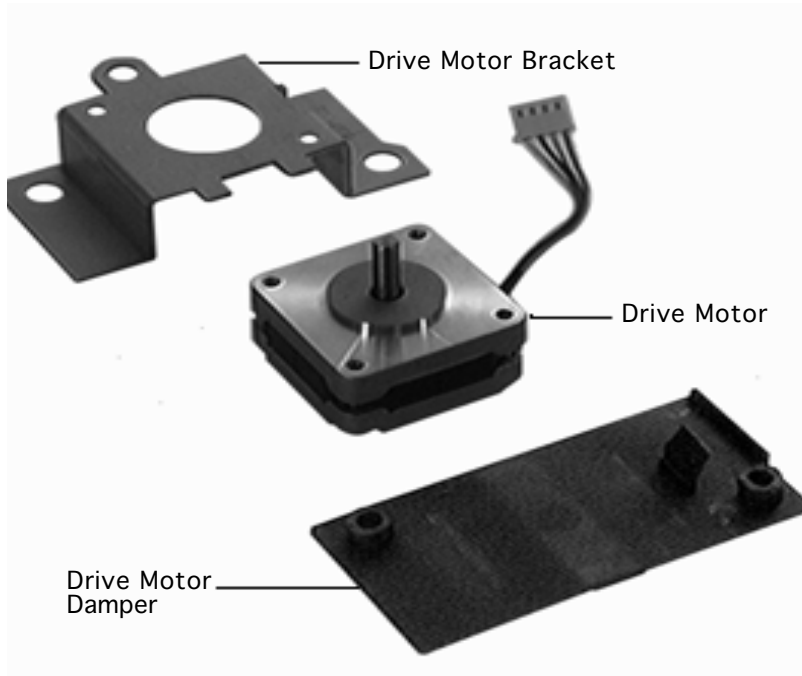




- 5 If necessary, lift off and remove the gear from the motor.

Replacement Note: Be sure that the gear is lined up with the flat side of the drive motor spindle when reinstalling.





- 6 Carefully remove the drive motor damper.
- 7 Using a Phillips screwdriver, remove the two screws from the drive motor bracket.
- 8 Remove the drive motor from the bracket.





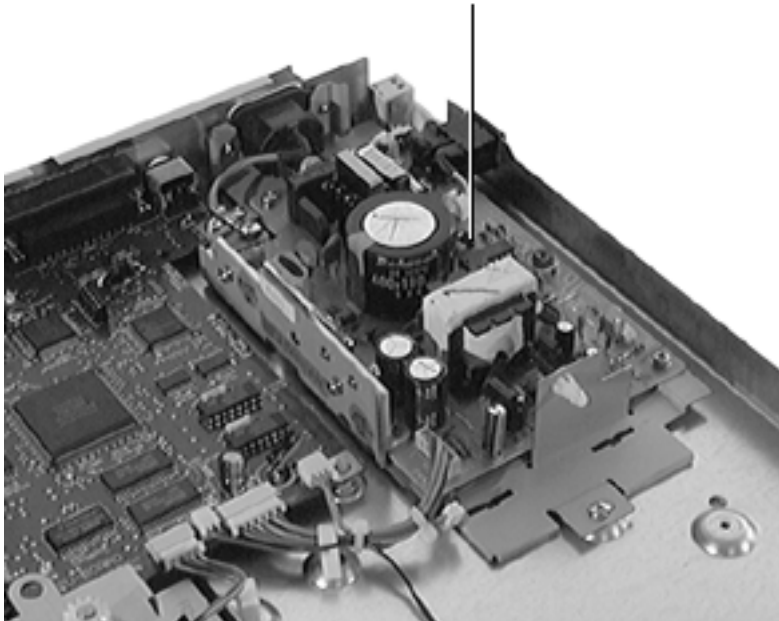
Power Supply Board

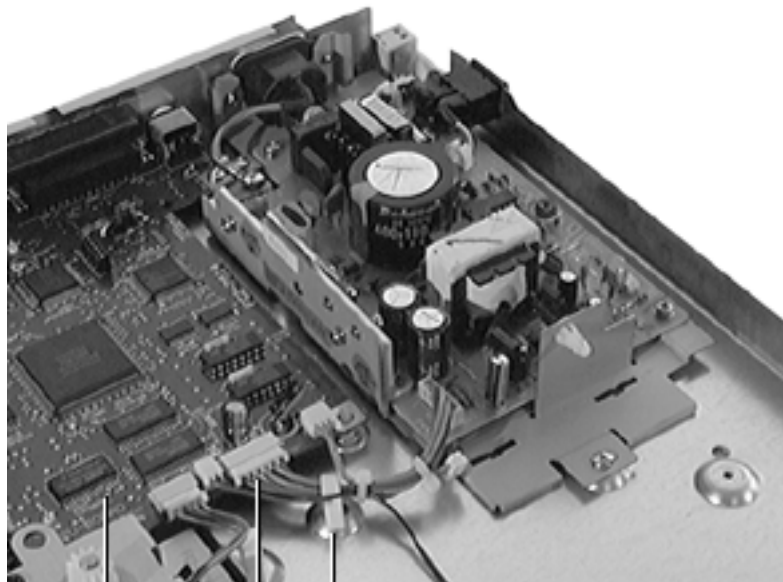
Before you begin, remove the following:

- Top cover
- Glass cover assembly
- Optical assembly
- Inverter board

Caution: Review the ESD precautions in Bulletins/ Safety.

Note: Remove the inverter board before returning the power supply to Apple.





Logic Board

J307

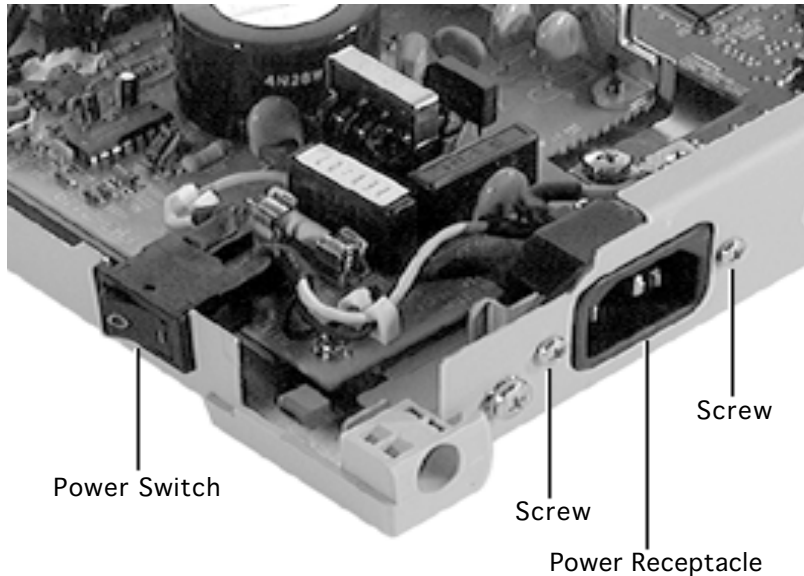
Cable Clip

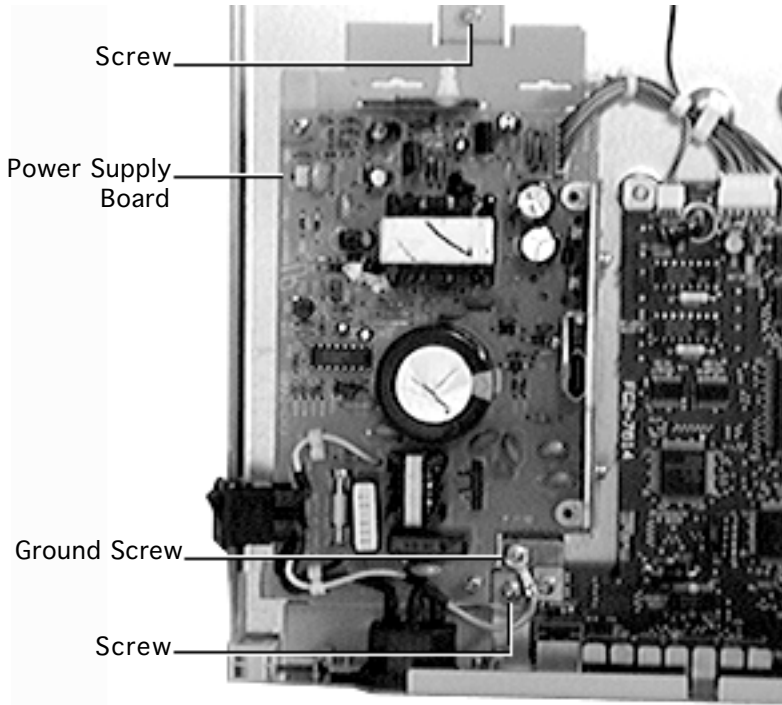
- 1 Cut the tie wraps and remove connector J307 from the logic board.
- 2 Remove the cables from the cable clip.





- 3 Slide the power switch up and out of the bottom case.
- 4 Remove the two screws that hold the power receptacle.





- 5 Remove the two mounting screws.
- 6 Remove the ground screw and lockwasher.
- 7 Remove the power supply board from the scanner.





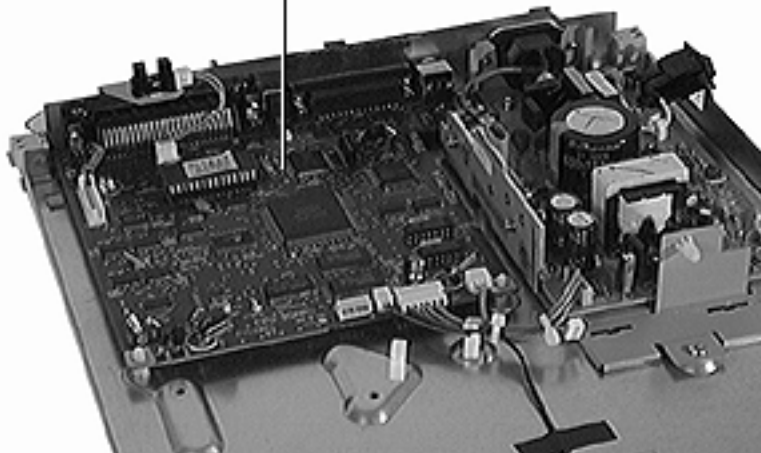
Logic Board

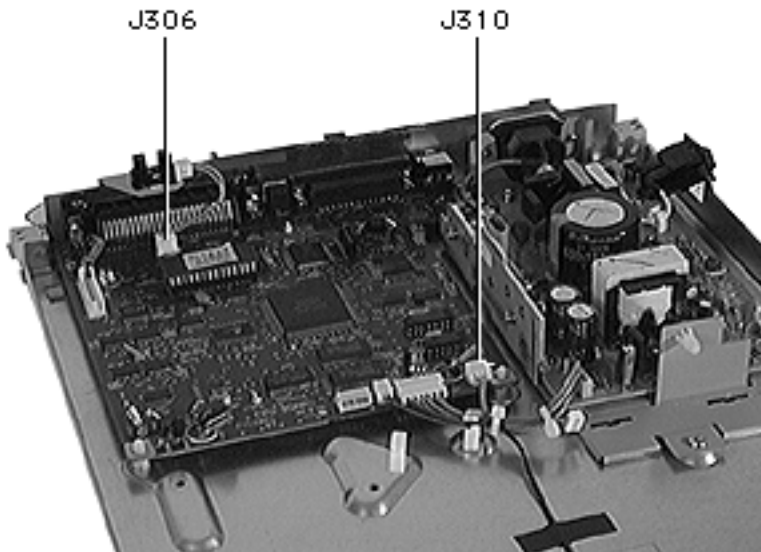
Before you begin, remove the following:

- Top cover
- Glass cover assembly
- Optical assembly
- Drive motor

Caution: Review the ESD precautions in Bulletins/ Safety.

Logic Board



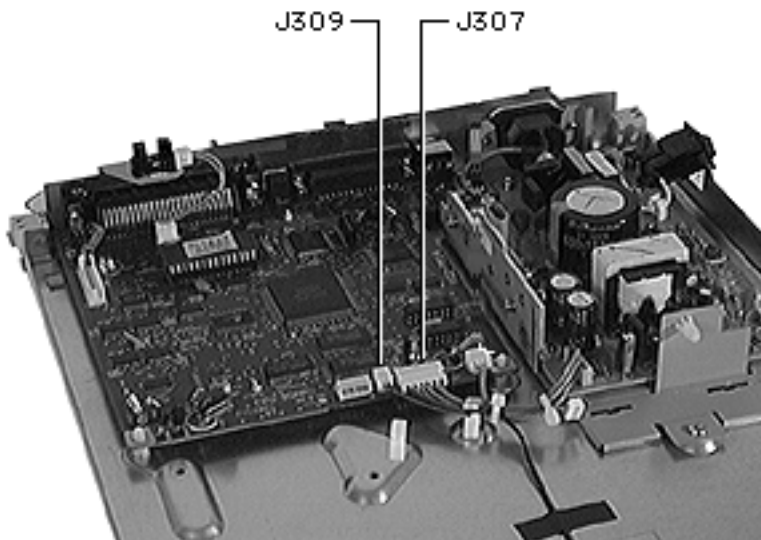


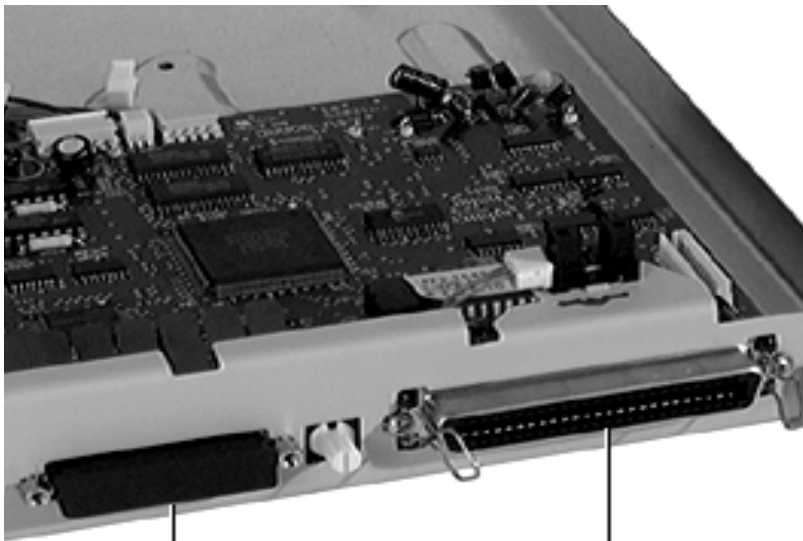
- 1 Locate the cables at J306 and J310 on the logic board.
 - If the cables are soldered, disconnect the other end of the cables at the home position sensor and at the inverter board.
 - If the cables have connectors at J306 and J310, disconnect them from the logic board.





- 2 Disconnect the following cables from the logic board:
 - J307
 - J309



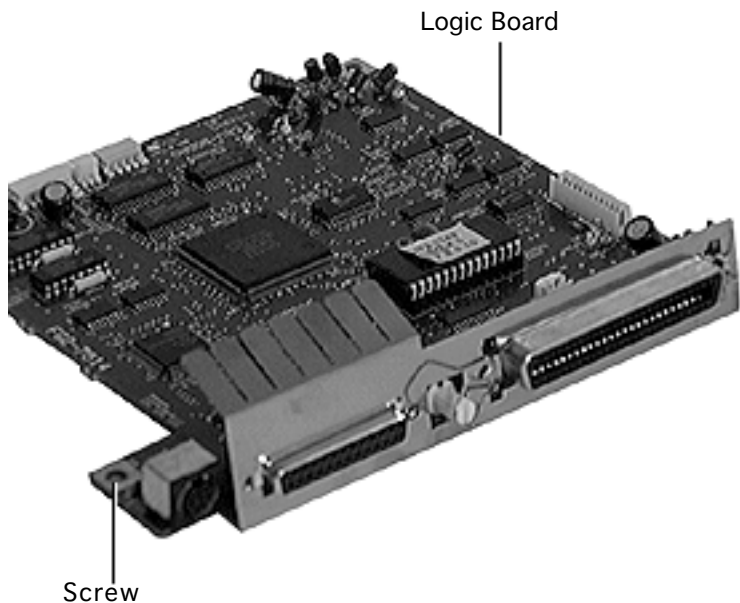


Interface Connector

SCSI Connector

- 3 Using a Phillips screwdriver, remove the two mounting screws from the SCSI connector.
- 4 Using a hex driver, remove the two mounting screws from the interface connector.



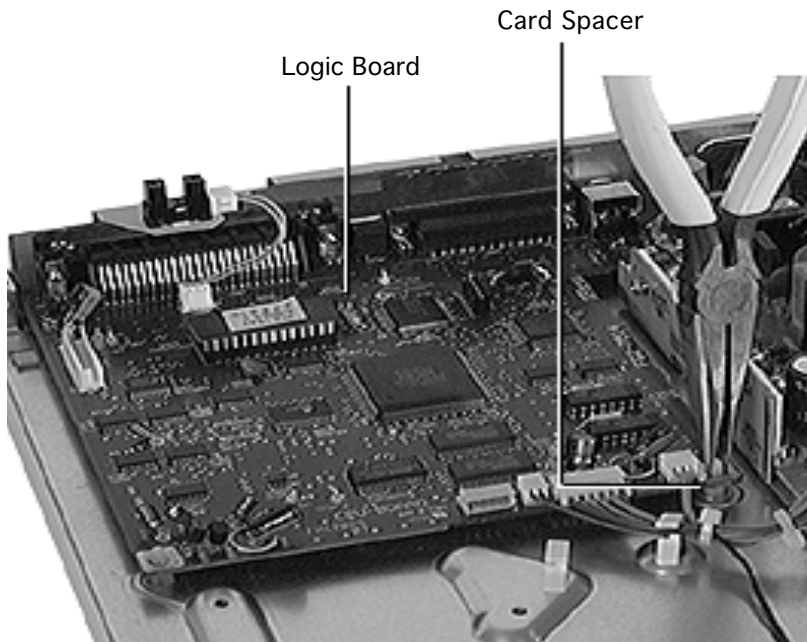


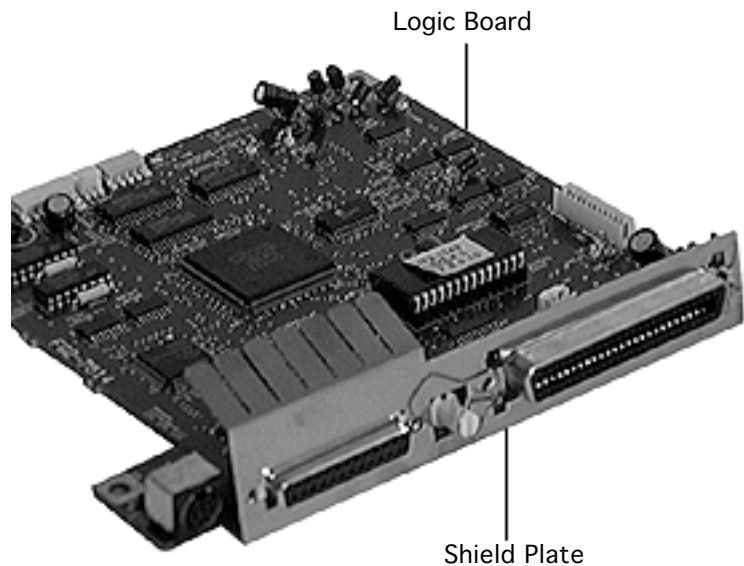
- 5 Remove the corner screw from the logic board.





- 6 Using needlenose pliers, squeeze together the card spacers and lift off the logic board.





- 7 Remove the shield plate from the logic board.





Home Position Sensor (Photo-Interrupter) and Cable

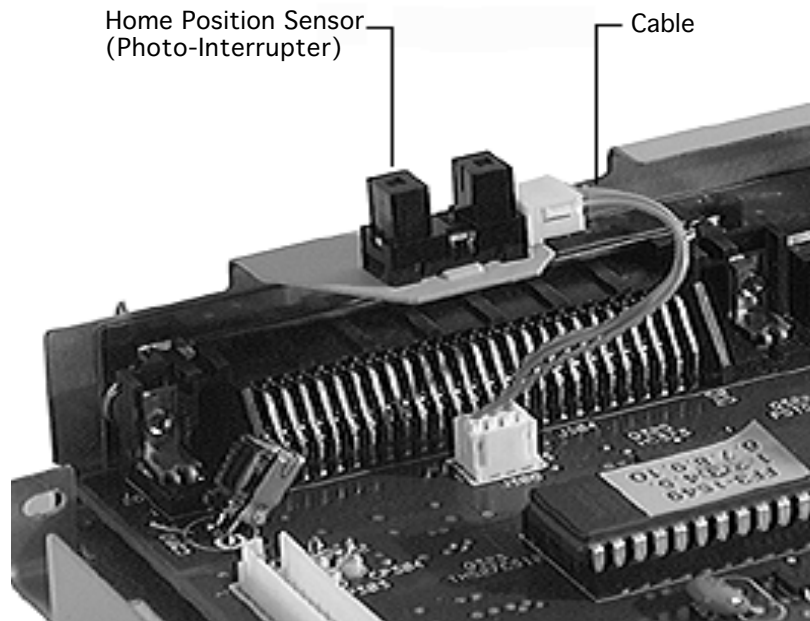
Before you begin, remove the following:

- Top cover
- Glass cover assembly
- Optical assembly

Caution: Review the ESD precautions in Bulletins/Safety.

Home Position Sensor
(Photo-Interrupter)

Cable





- 1 Remove the cable from connector J306 on the logic board and the connector on the home position sensor (photo-interrupter).

Home Position Sensor

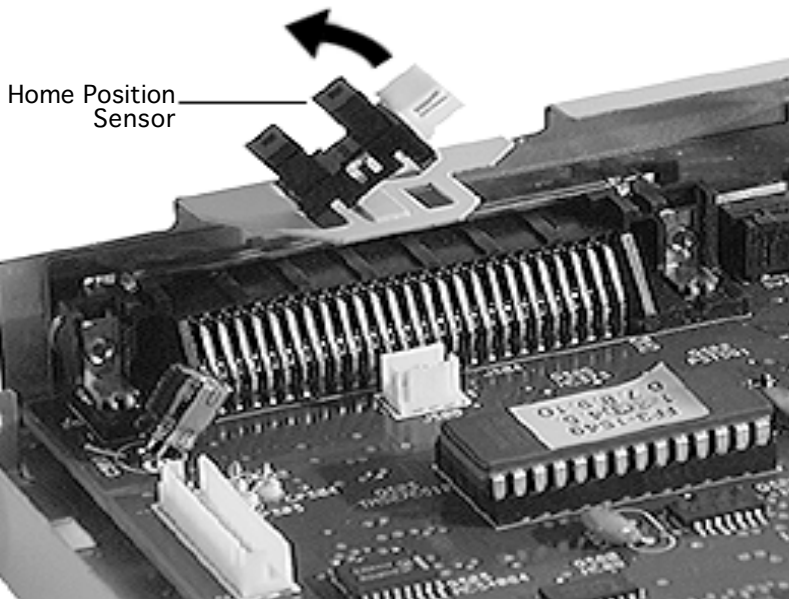
Cable

Logic Board





- 2 Press in the two latches and lift up to remove the home position sensor from the bottom case.



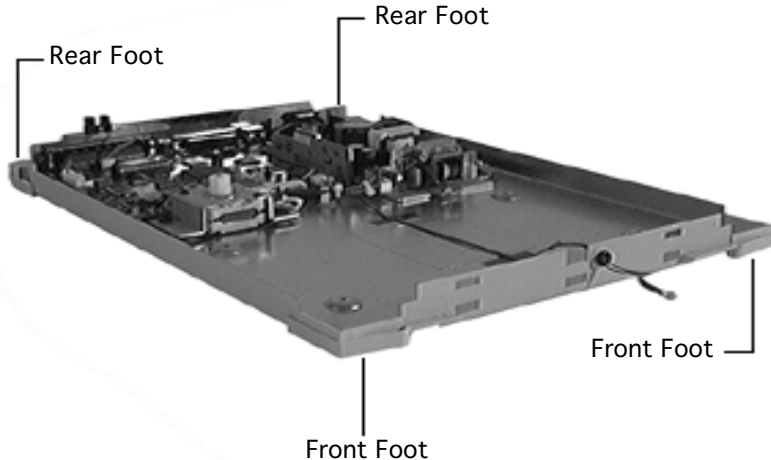


Feet

Before you begin, remove the following:

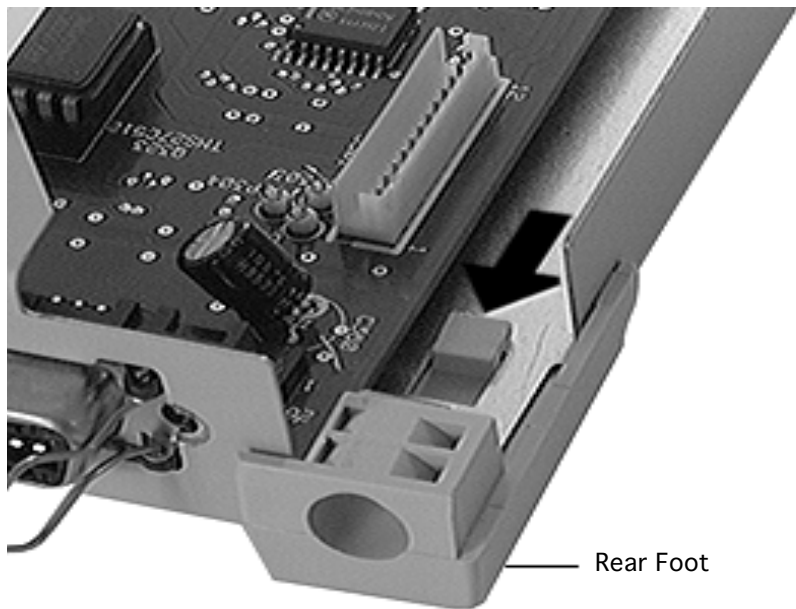
- Top cover
- Glass cover assembly
- Optical assembly

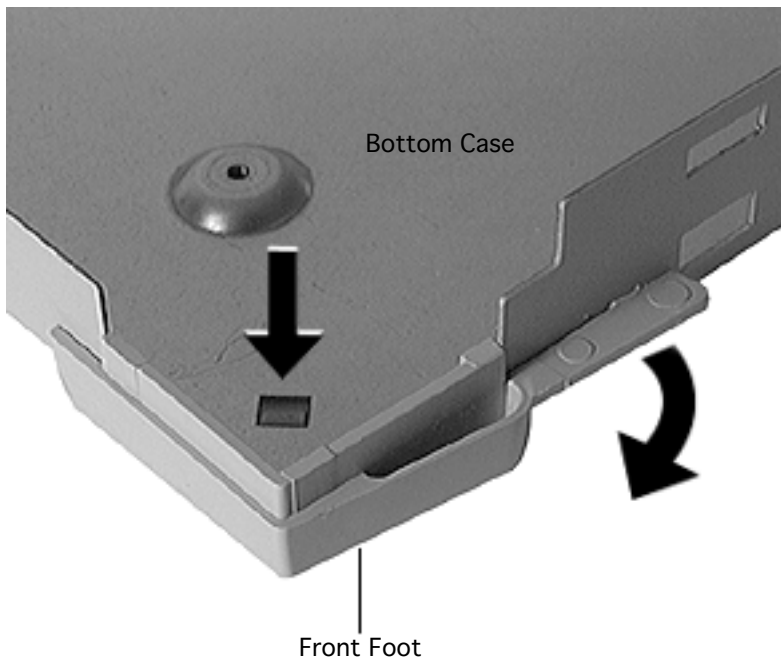
Caution: Review the ESD precautions in Bulletins/ Safety.





- 1 Slide the rear foot off of the bottom case. Repeat for other rear foot.





- 2 Press down and unlatch the front foot from the bottom case. Repeat for other front foot.





Automatic Document Feeder

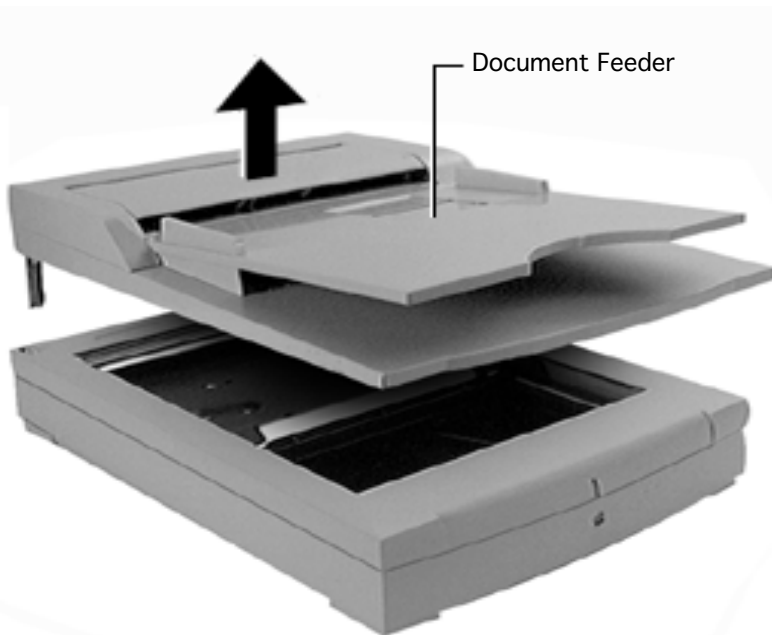


Automatic Document Feeder

No preliminary steps are required before you begin this procedure.

Caution: Review the ESD precautions in Bulletins/Safety.





- 1 Lift the document feeder straight off the scanner.

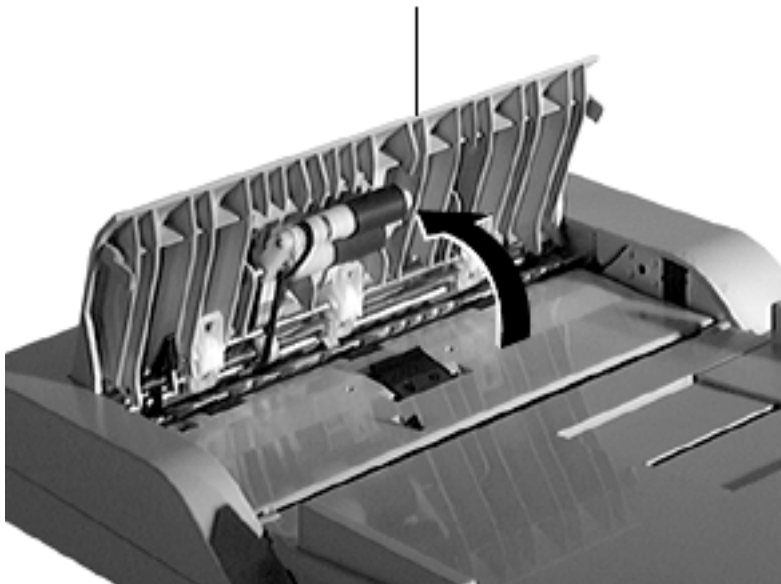


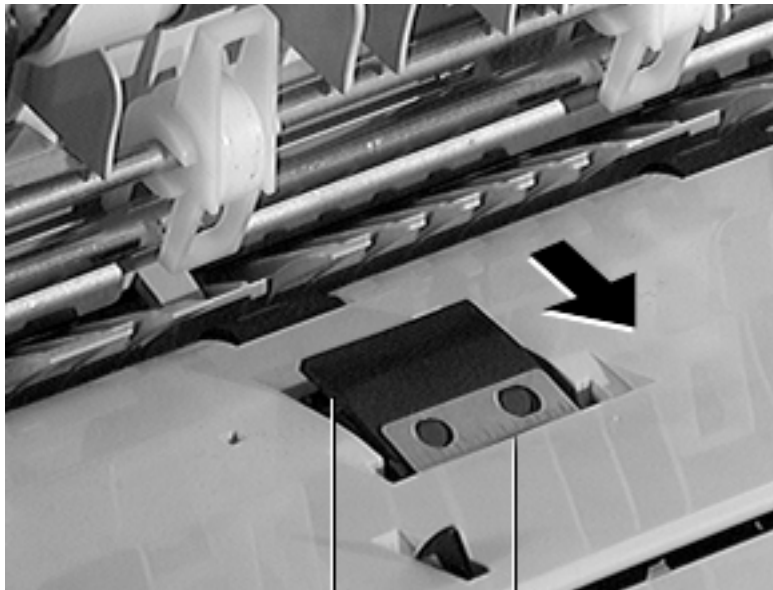


Paper Separator

- 1 Lift up the top cover of the document feeder.

Document Feeder Top Cover





Rubber Piece

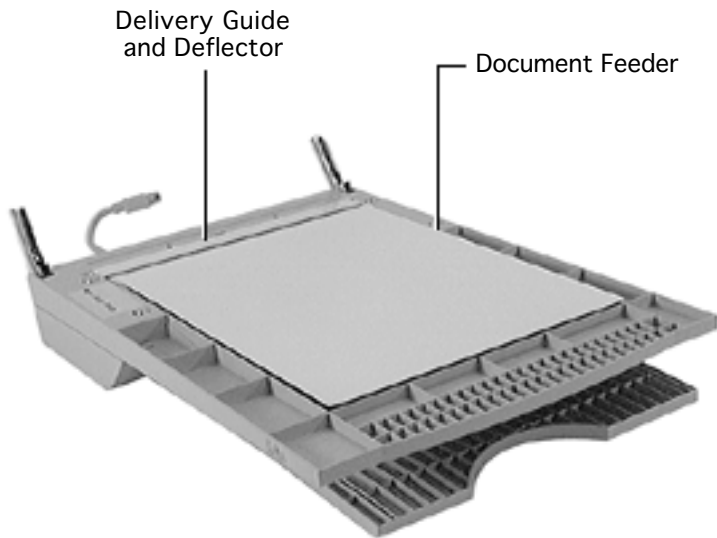
Paper Separator

- 2 Do not pull on the rubber piece on the paper separator. It is held in place by a metal clip and will come off if pulled.

Push down and press forward on the paper separator.

- 3 Remove the paper separator.

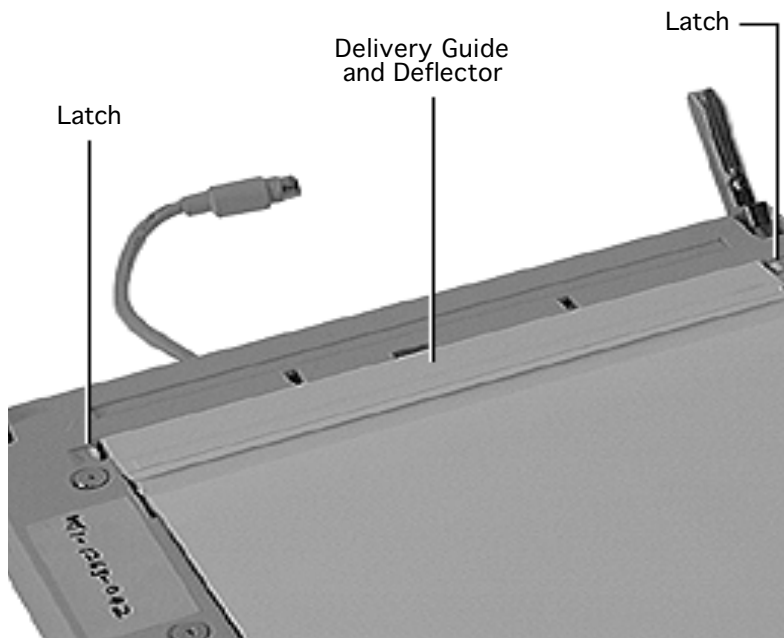




Delivery Guide and Deflector

- 1 Turn the document feeder over.



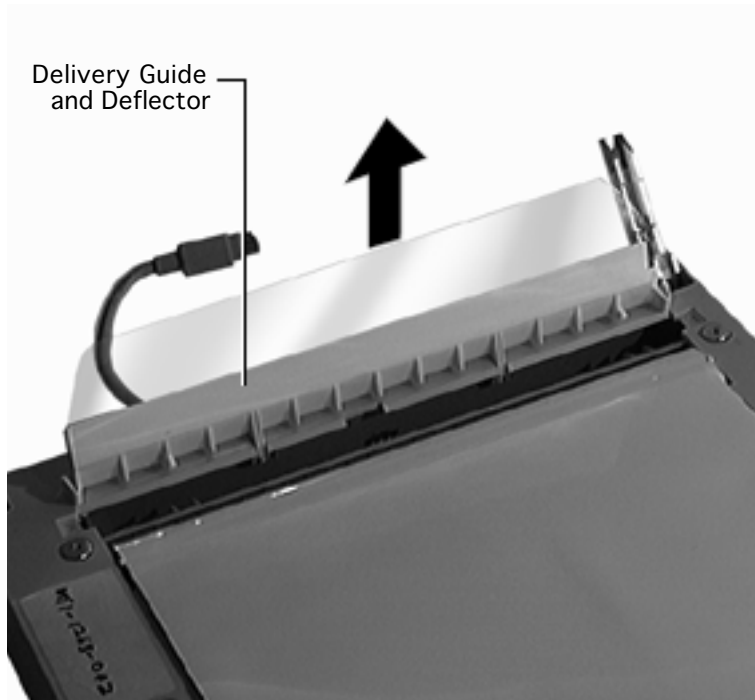


- 2 Press in the two latches and swing out the delivery guide and deflector.



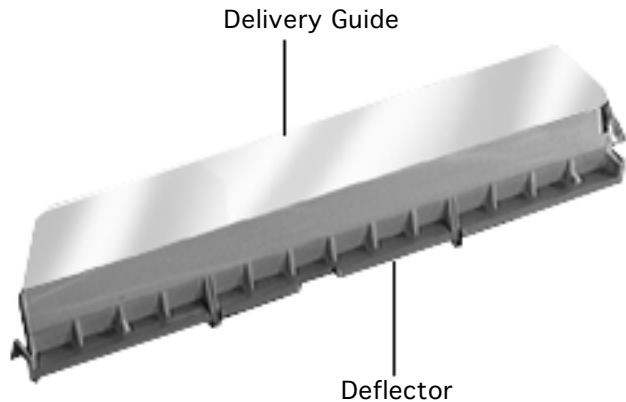


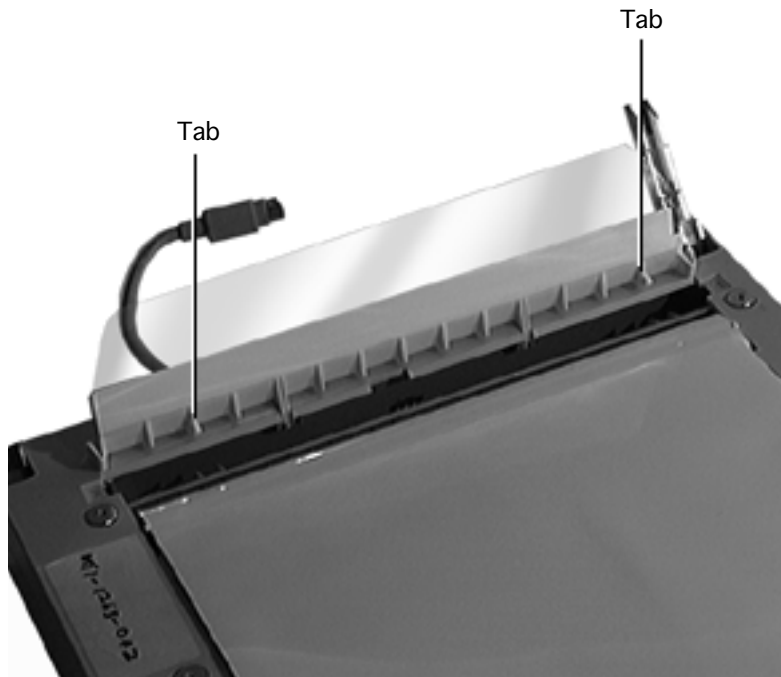
- 3 Remove the delivery guide and deflector.





- 4 Remove the delivery guide from the deflector.





Replacement Note:

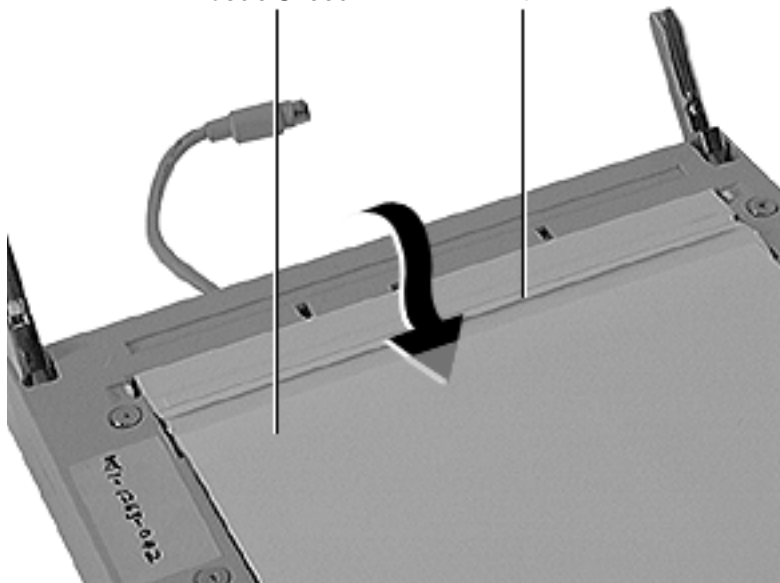
Before installing the deflector back into the document feeder, make sure the two holes on the delivery guide line up with the two tabs on the deflector.





Plastic Sheet

Delivery Guide



Replacement Note: Slip the delivery guide back under the plastic sheet on the document feeder and snap the deflector in place.

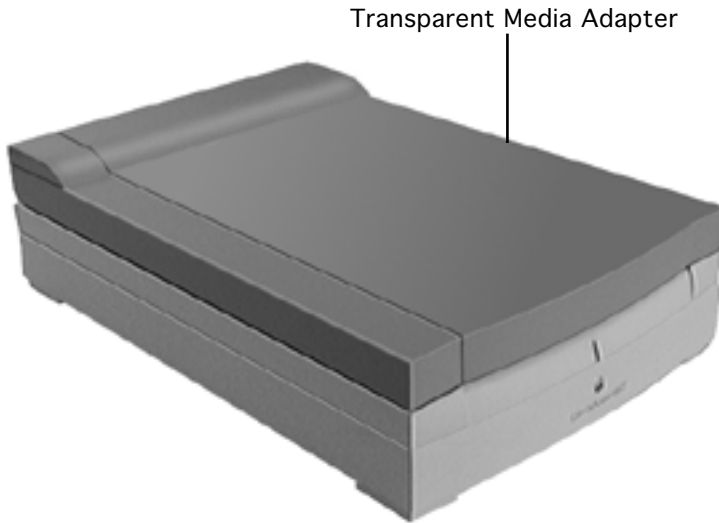




Transparent Media Adapter

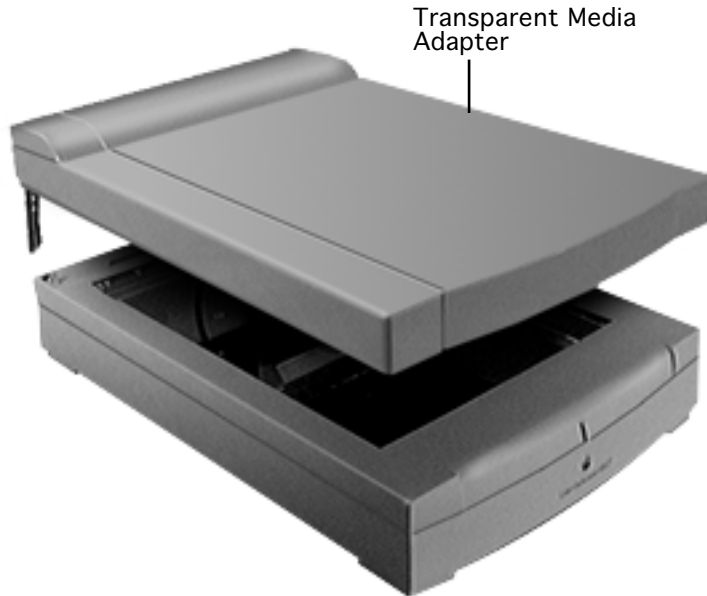
No preliminary steps are required before you begin this procedure.

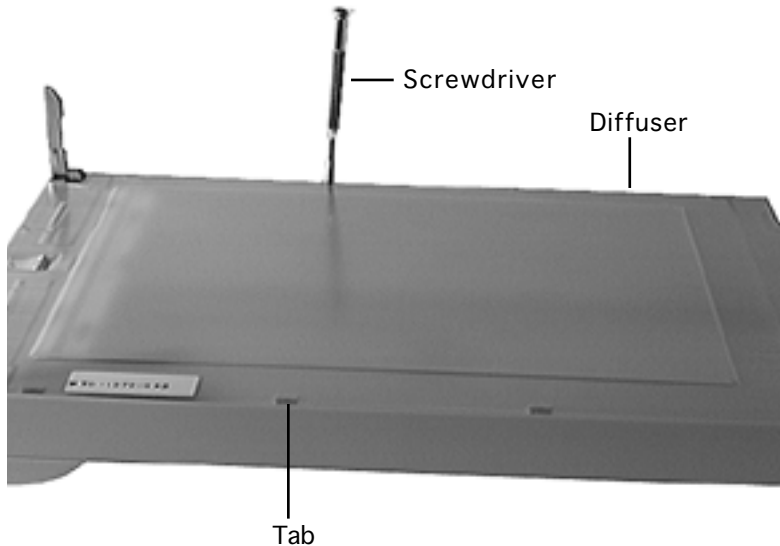
Caution: Review the ESD precautions in Bulletins/ Safety.





- 1 Lift the Transparent Media Adapter straight off the scanner.

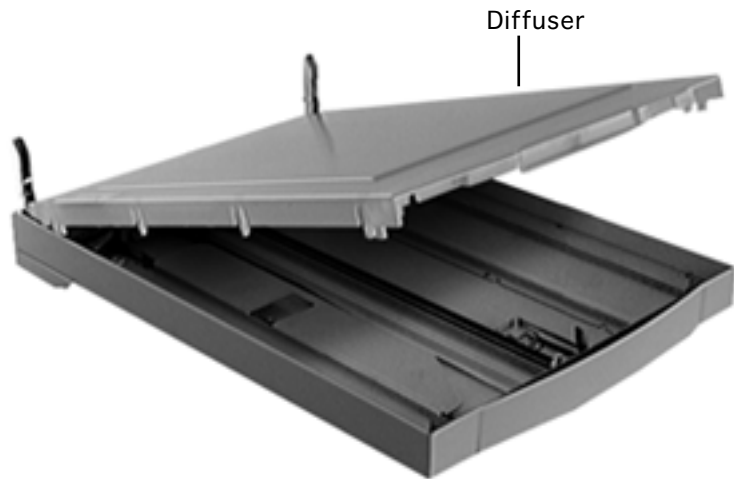




Diffuser

- 1 Place the Transparent Media Adapter so the hinges face up.
- 2 Using a jeweler's flat-blade screwdriver, unlatch the diffuser from its ten tabs.





- 3 Tilt the diffuser up to release it from the Transparent Media Adapter unit.





Additional Procedures

Apple Color OneScanner 1200/30





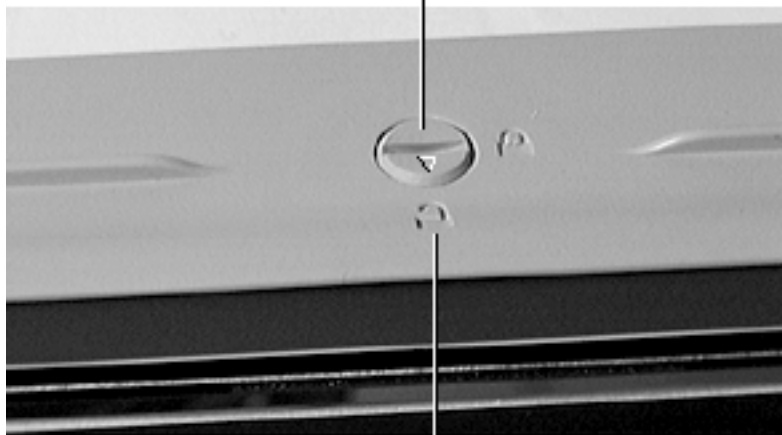
Unlocking the Scanner

Before you begin, remove the top cover with hinge.





Using a coin or a flat-blade screwdriver, rotate the lock to the unlocked position.



Lock

Unlocked
Position





Changing the SCSI ID

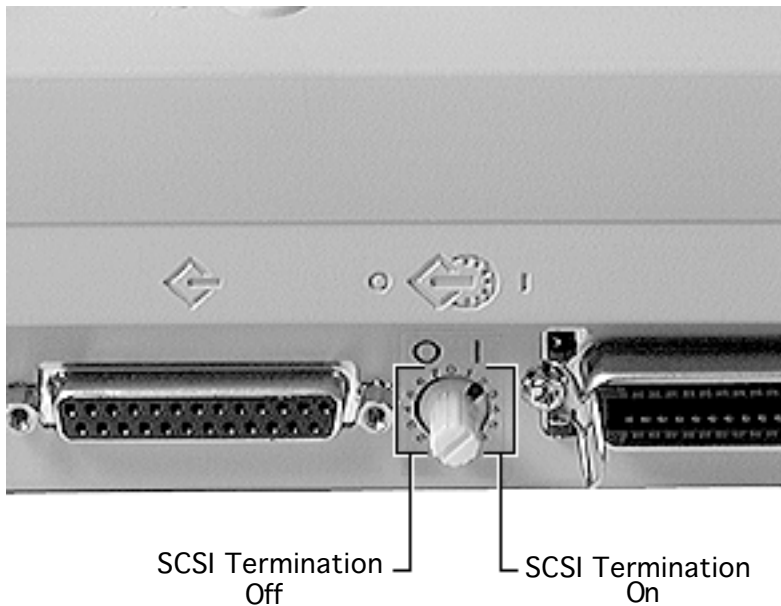
No preliminary steps are required before you begin this procedure.

Caution: Review the ESD precautions in Bulletins/Safety.



SCSI Switch

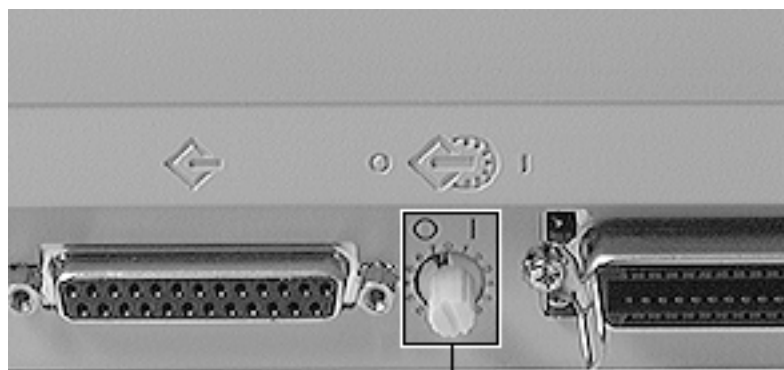




There are two sets of SCSI ID numbers. Choose the set that matches your SCSI termination configuration:

- The numbers on the left are with SCSI termination turned off. Use these numbers if an external SCSI terminator is installed.
- The numbers on the right are with SCSI termination turned on. Use these numbers if no external SCSI terminator is installed.





Turn the switch to the desired number.

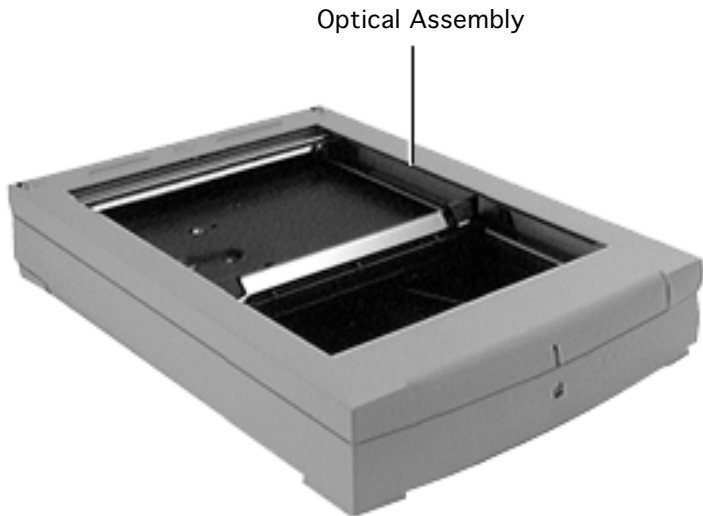
SCSI ID Switch





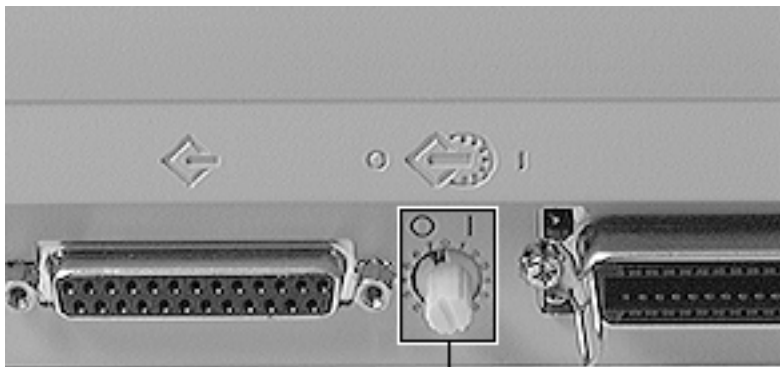
Moving the Optical Assembly to Service Position

Before you begin, remove the top cover with hinge.



- 1 Make sure
 - Scanner power is off
 - Power cord is connected
 - SCSI cable is disconnected





SCSI ID Switch

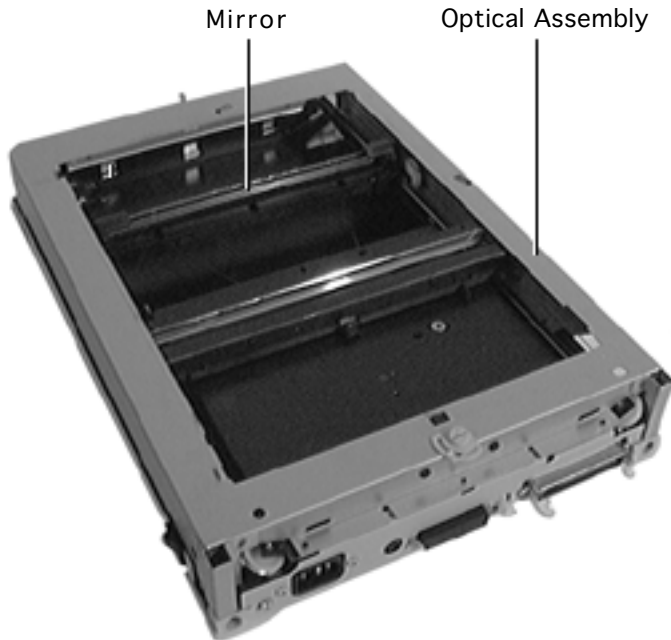


- 2 Set the SCSI ID switch to 7 (terminator off position).
- 3 Turn on the scanner power.

Wait for the start-up sequence to finish and the lamp to turn off. (For a description of the normal start-up sequence, refer to the Troubleshooting chapter.)

- 4 Set the SCSI ID switch to 0 (terminator on position).





- 5 Set the SCSI ID switch back to 7, then back to 0, and finally back to 7.
- 6 The optical unit will now move. When the mirror has reached the position where it is between the set of four screws on the bottom, turn off the scanner.





Exploded View

Apple Color OneScanner 1200/30



