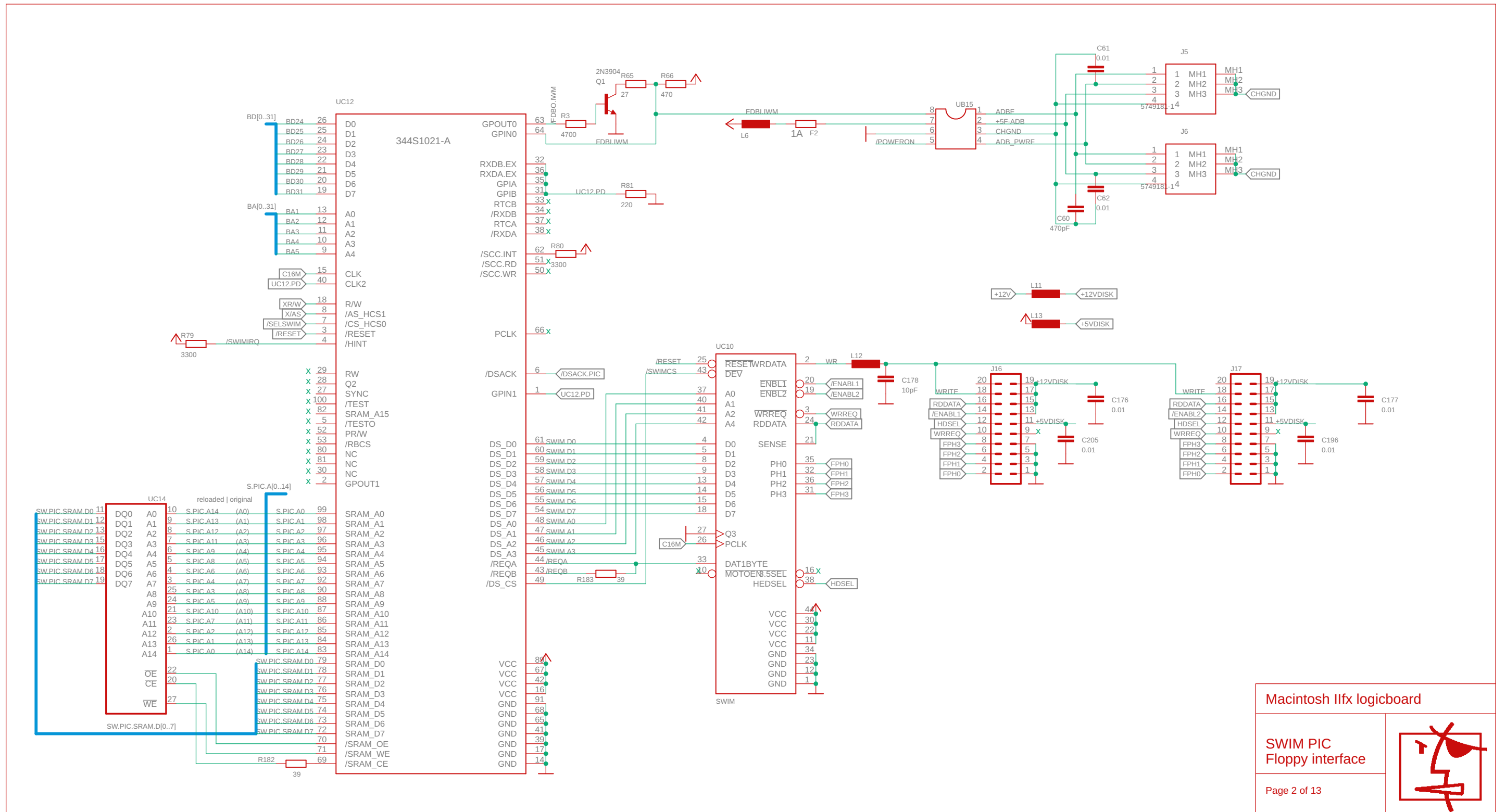
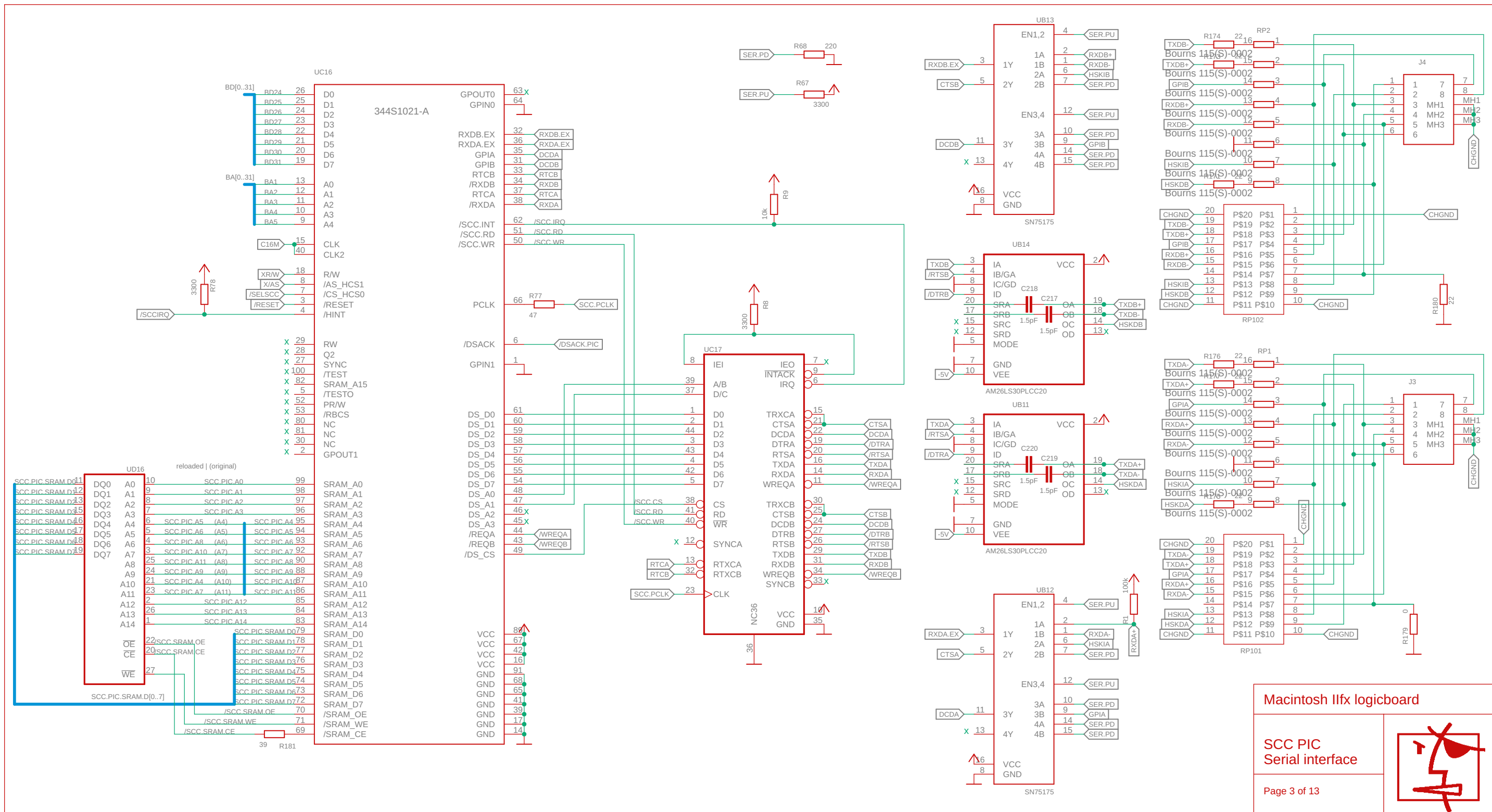


Macintosh IIx logicboard

Power distribution  
ROM SIMM





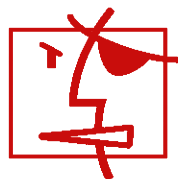
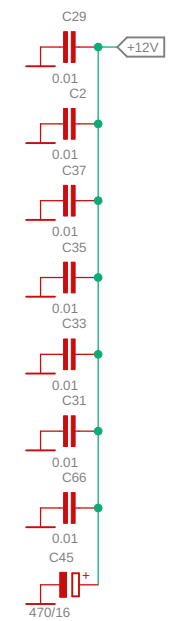
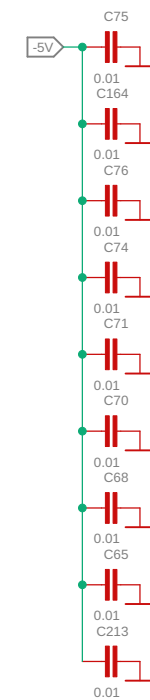
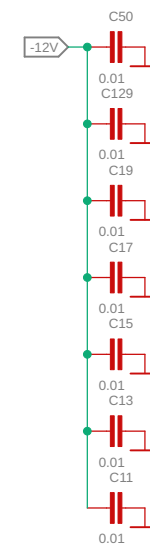
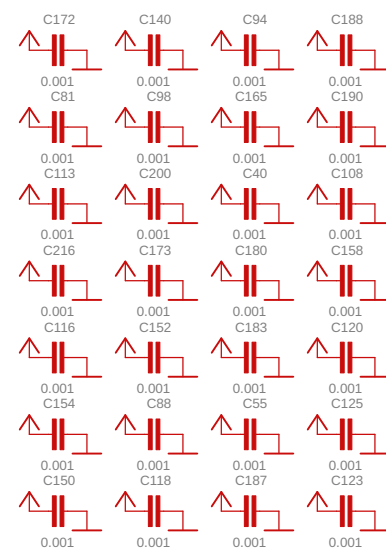
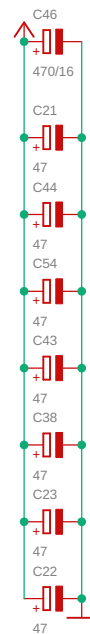
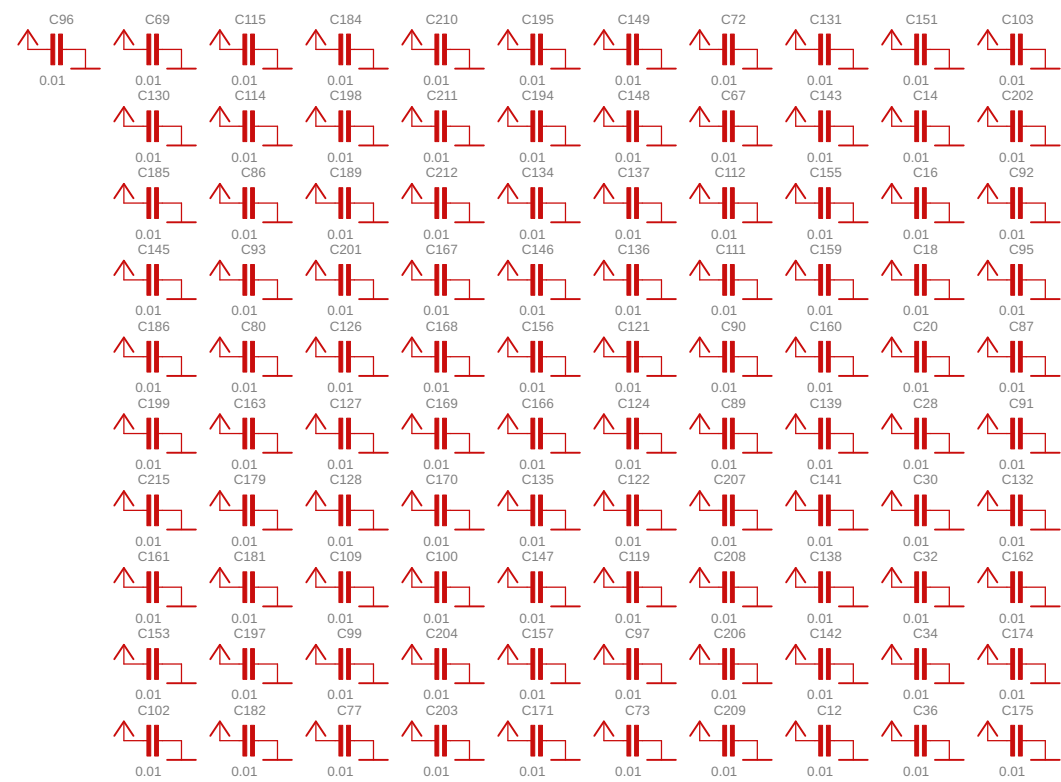


Macintosh IIx logicboard

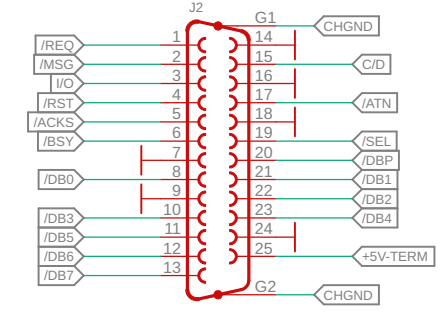
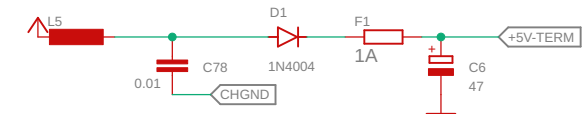
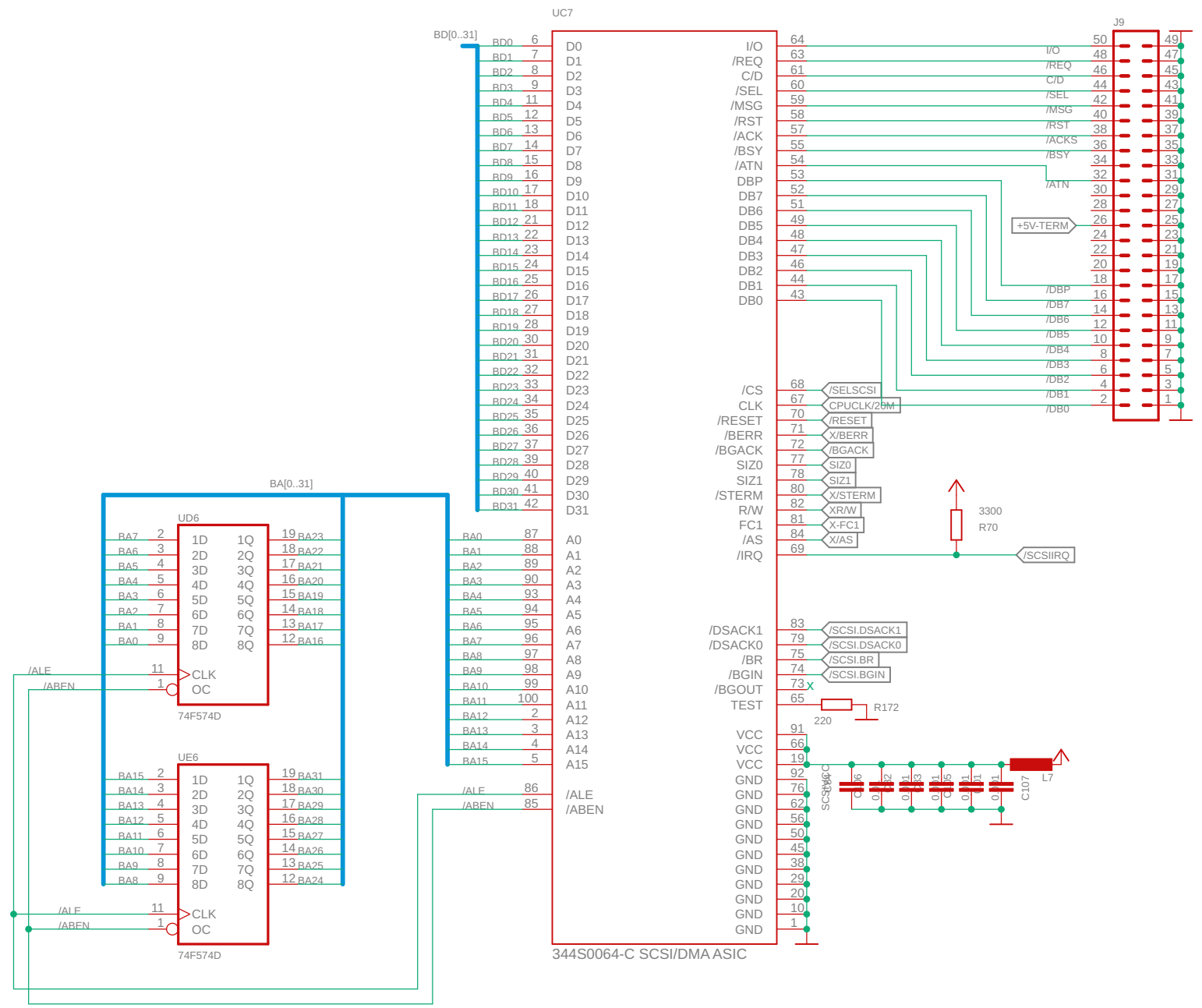
SCC PIC  
Serial interface

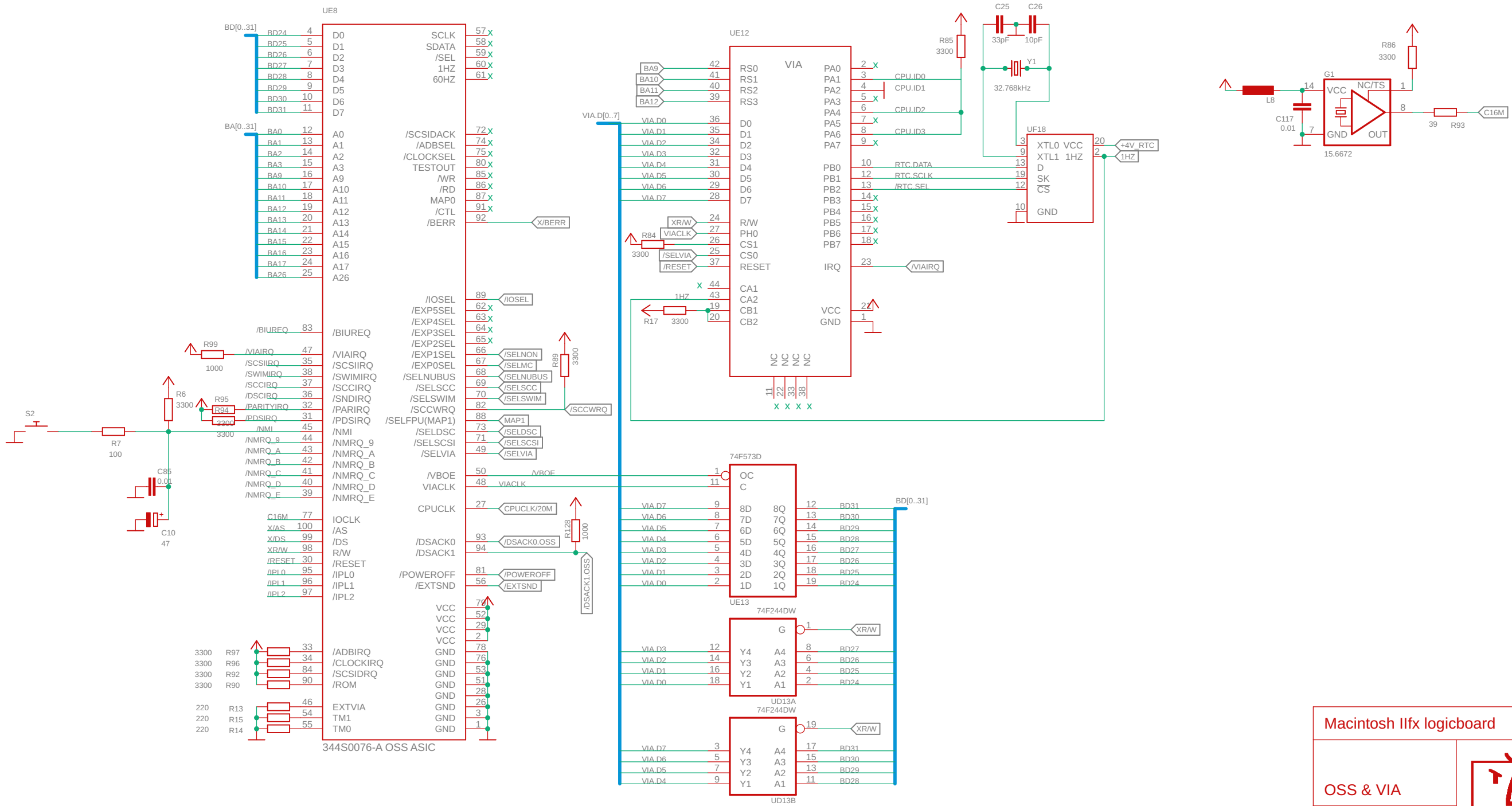


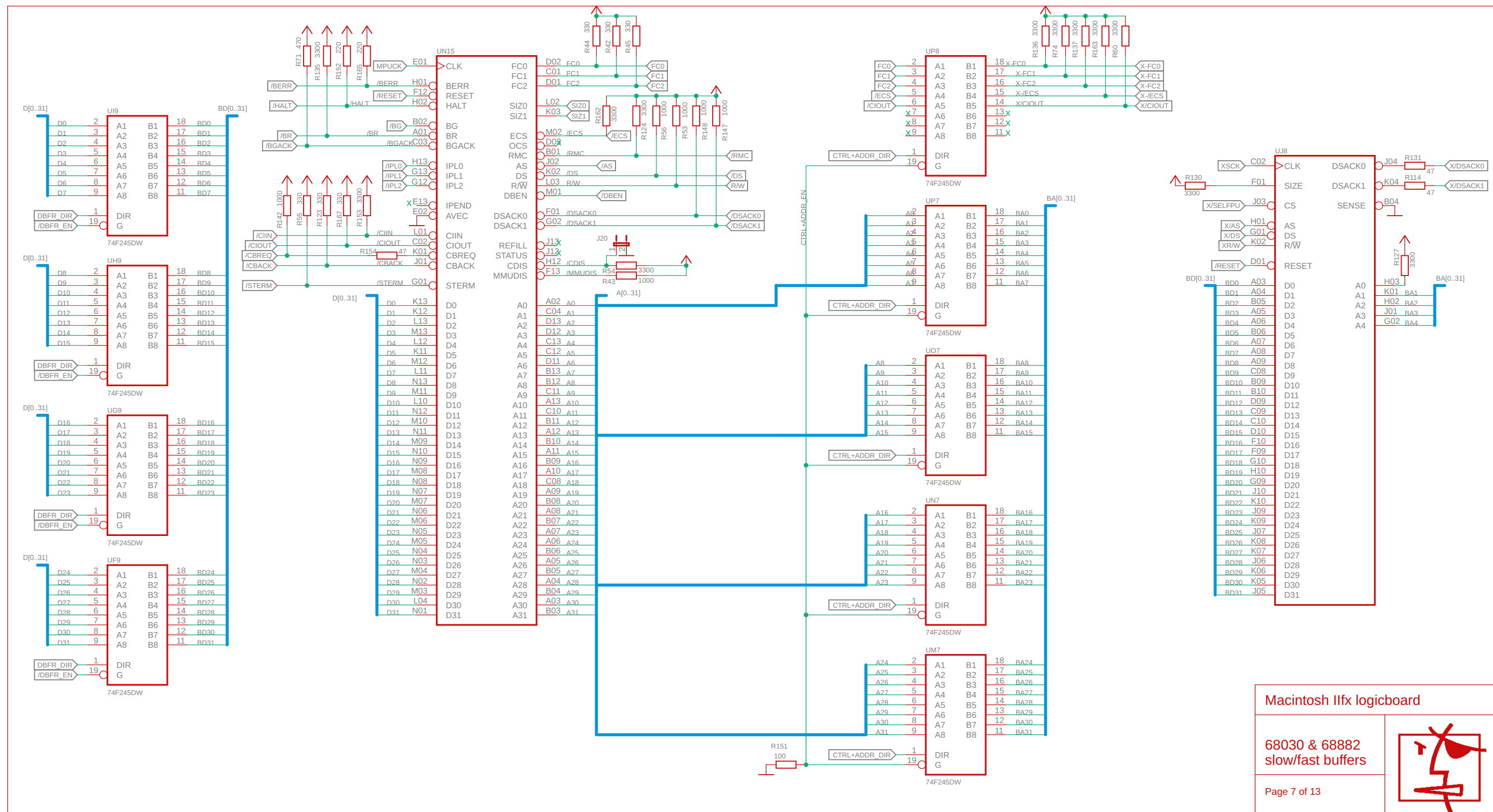
C191, C192, C193 omitted on reloaded board - parity generator bypass caps

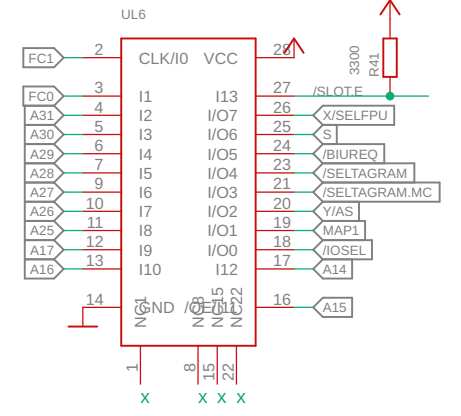
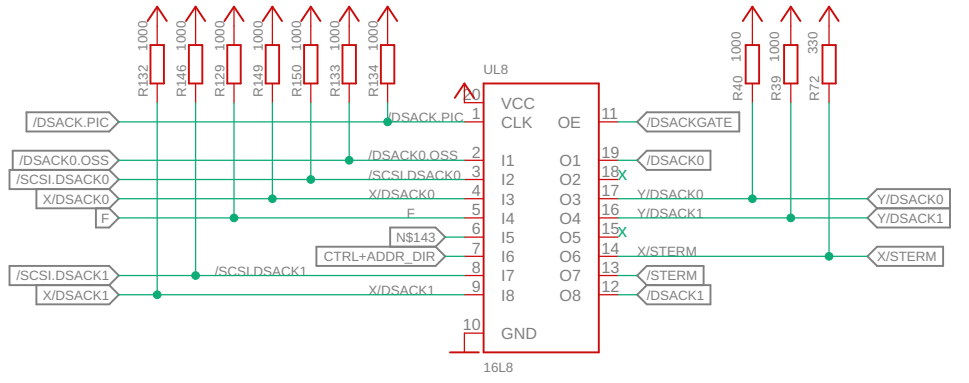
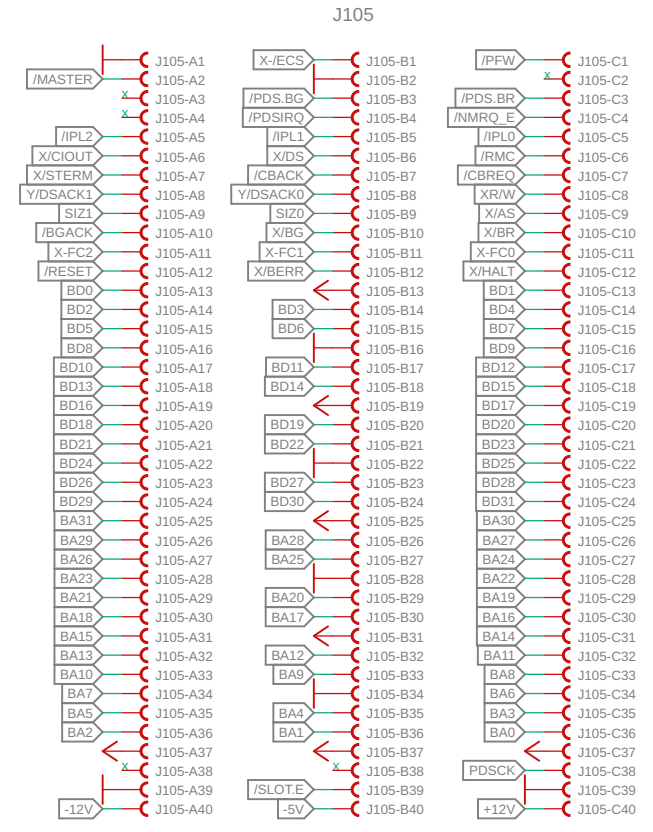
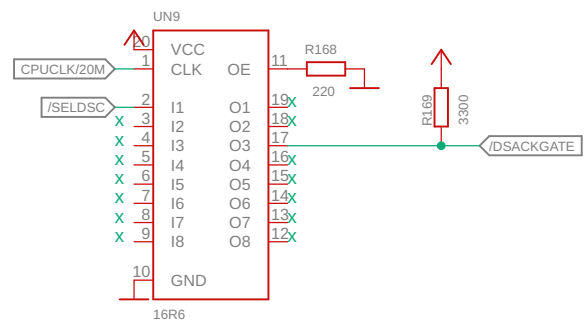
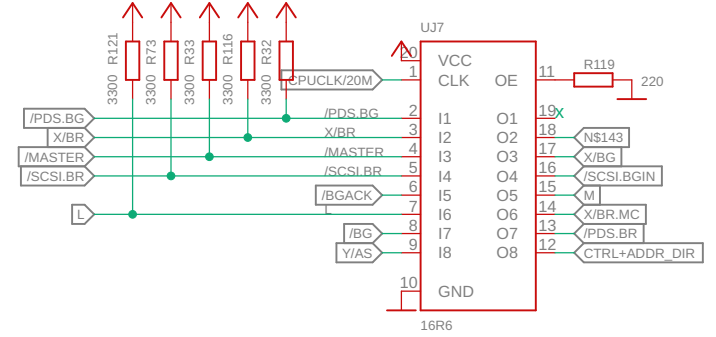
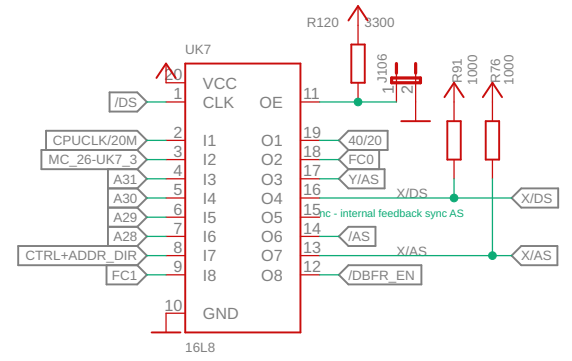
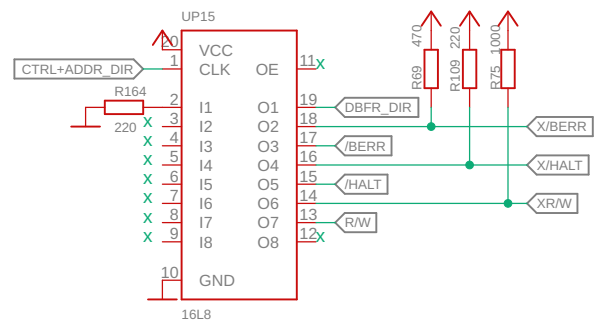


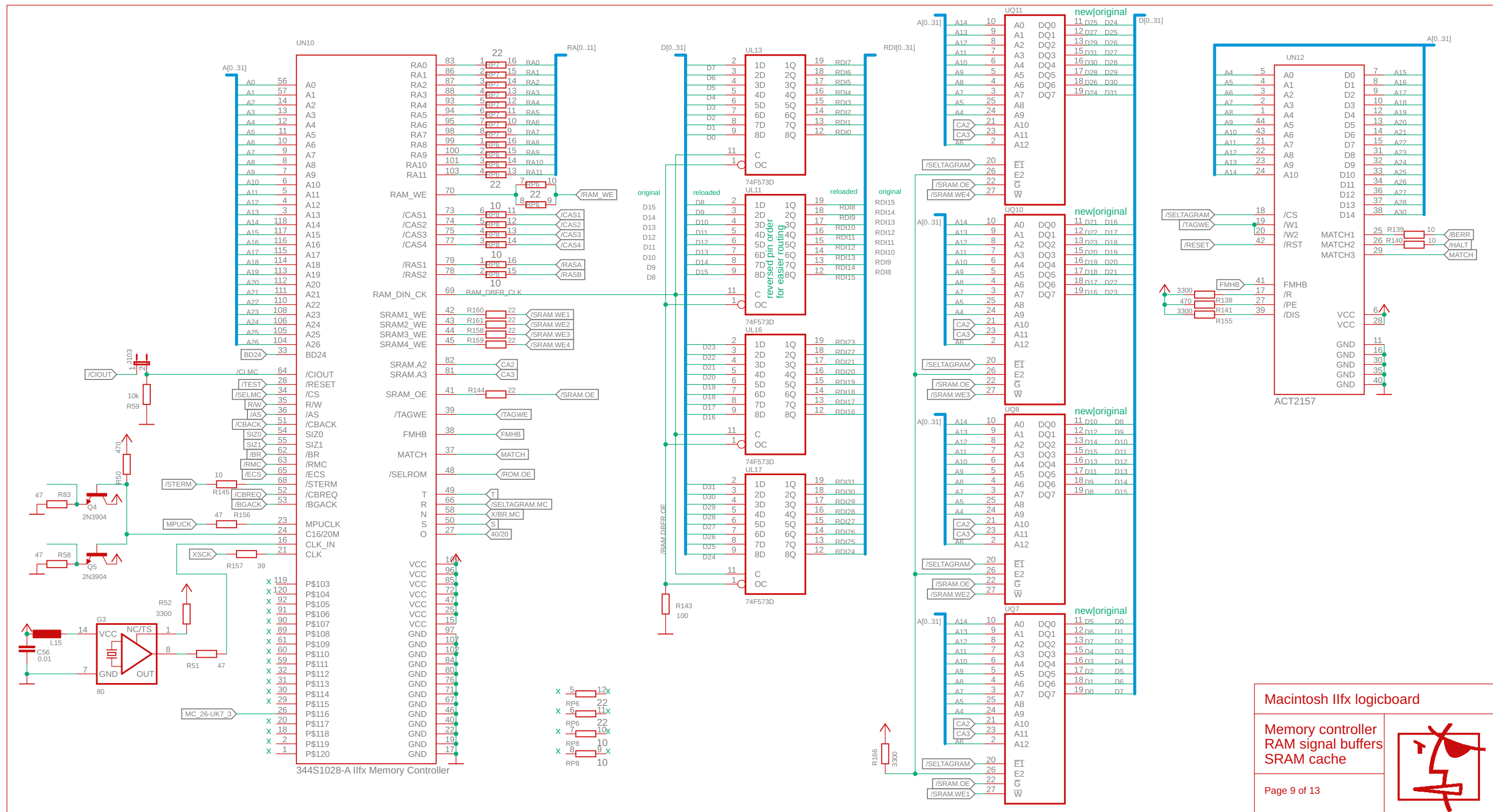












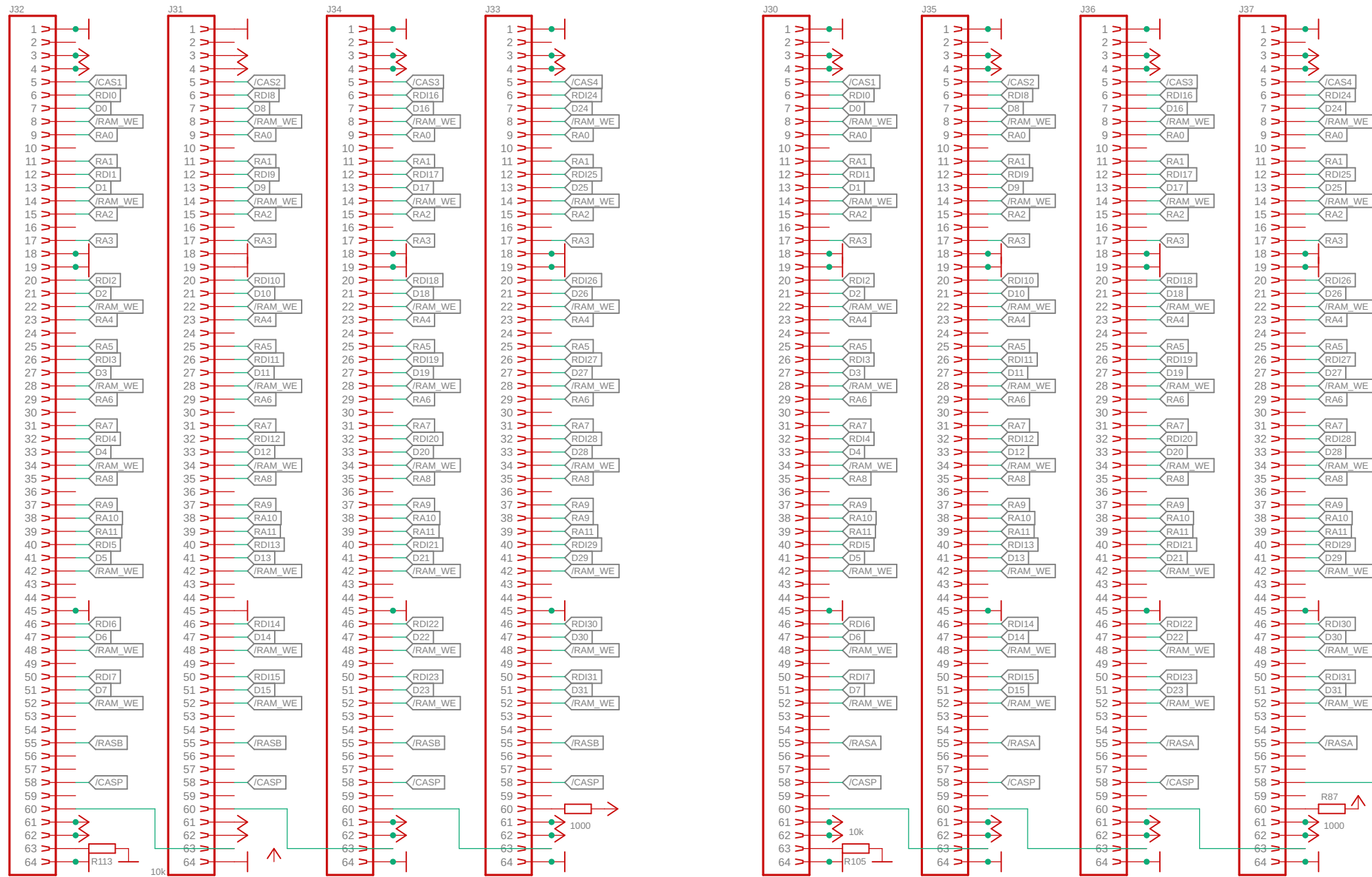
Macintosh IIx logicboard

Memory controller  
RAM signal buffers  
SRAM cache



Bank B

Bank A



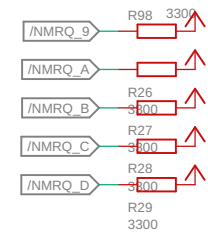
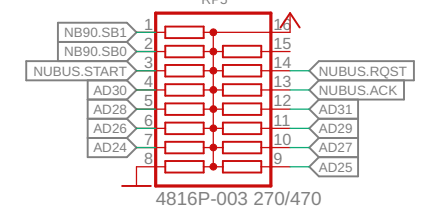
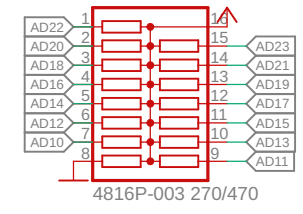
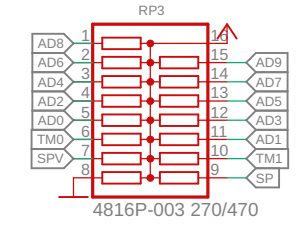
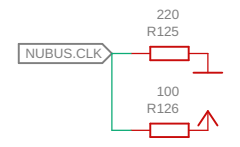
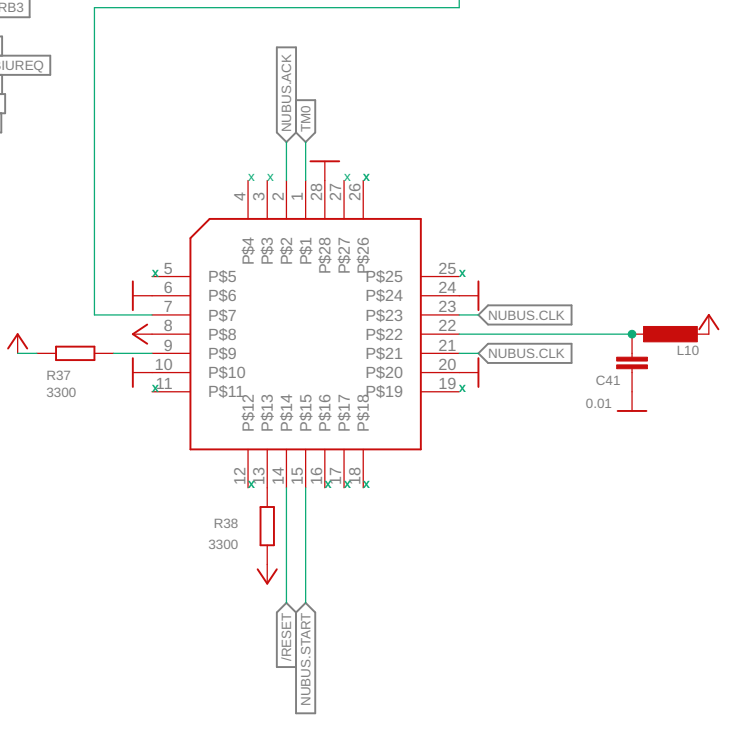
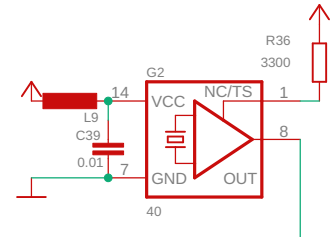
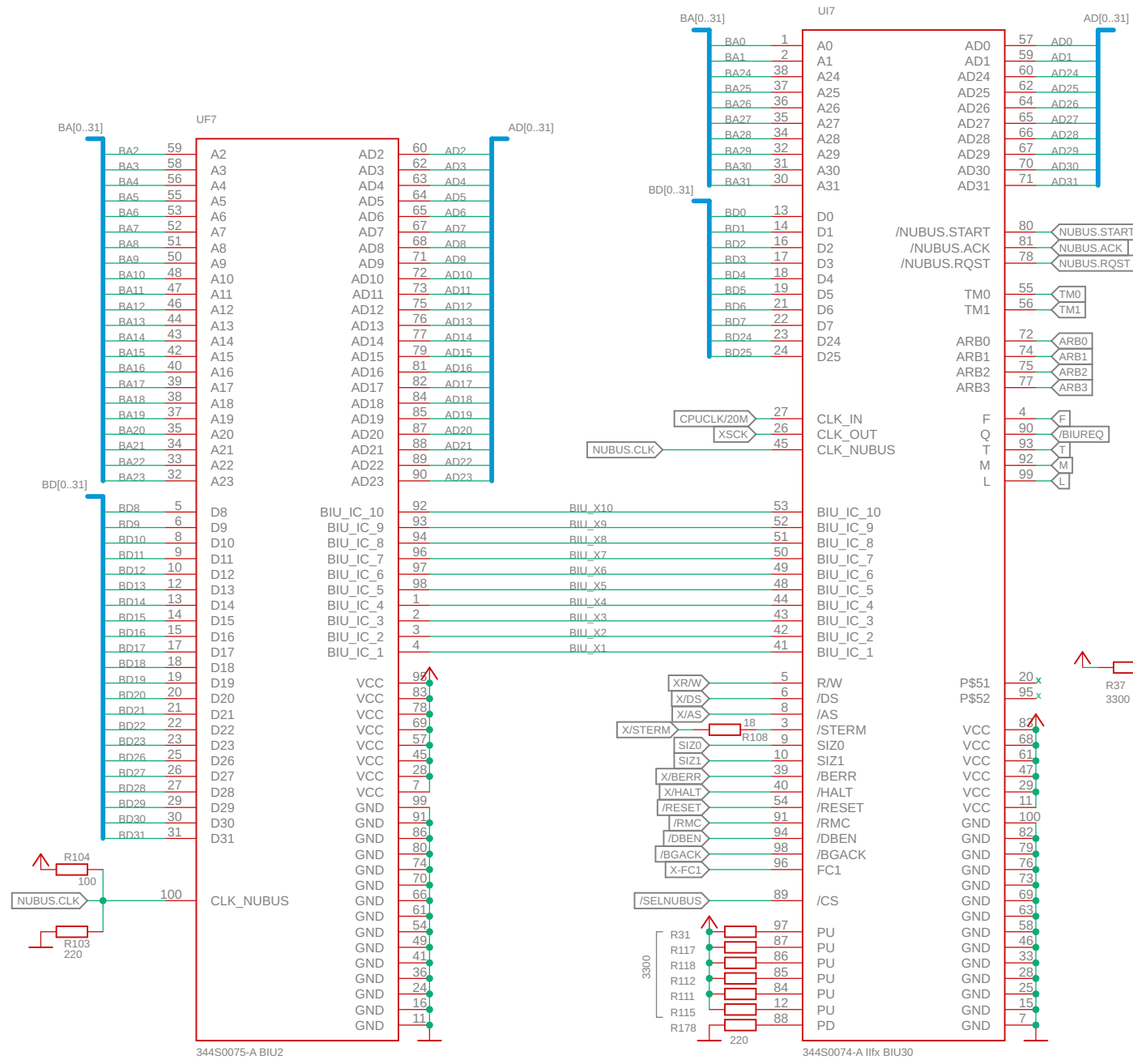
reloaded board: individual /CASP lines omitted - R101, R102, R107 omitted  
 all /CASP pins tied together pulled high through R100  
 /WEP on pin to all SIMMs + R122 (18ohms) series resistor from PG omitted

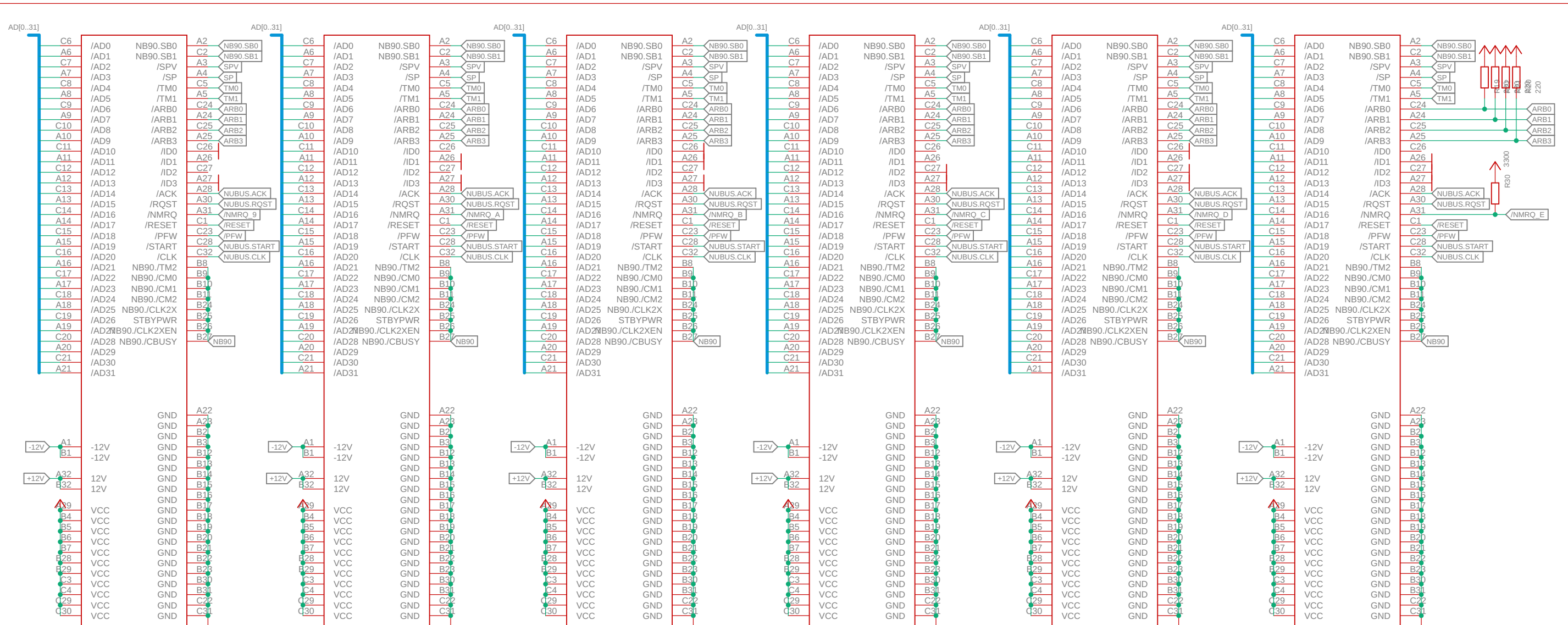
Macintosh IIx logicboard

RAM









Macintosh IIx logicboard

Nubus slots

