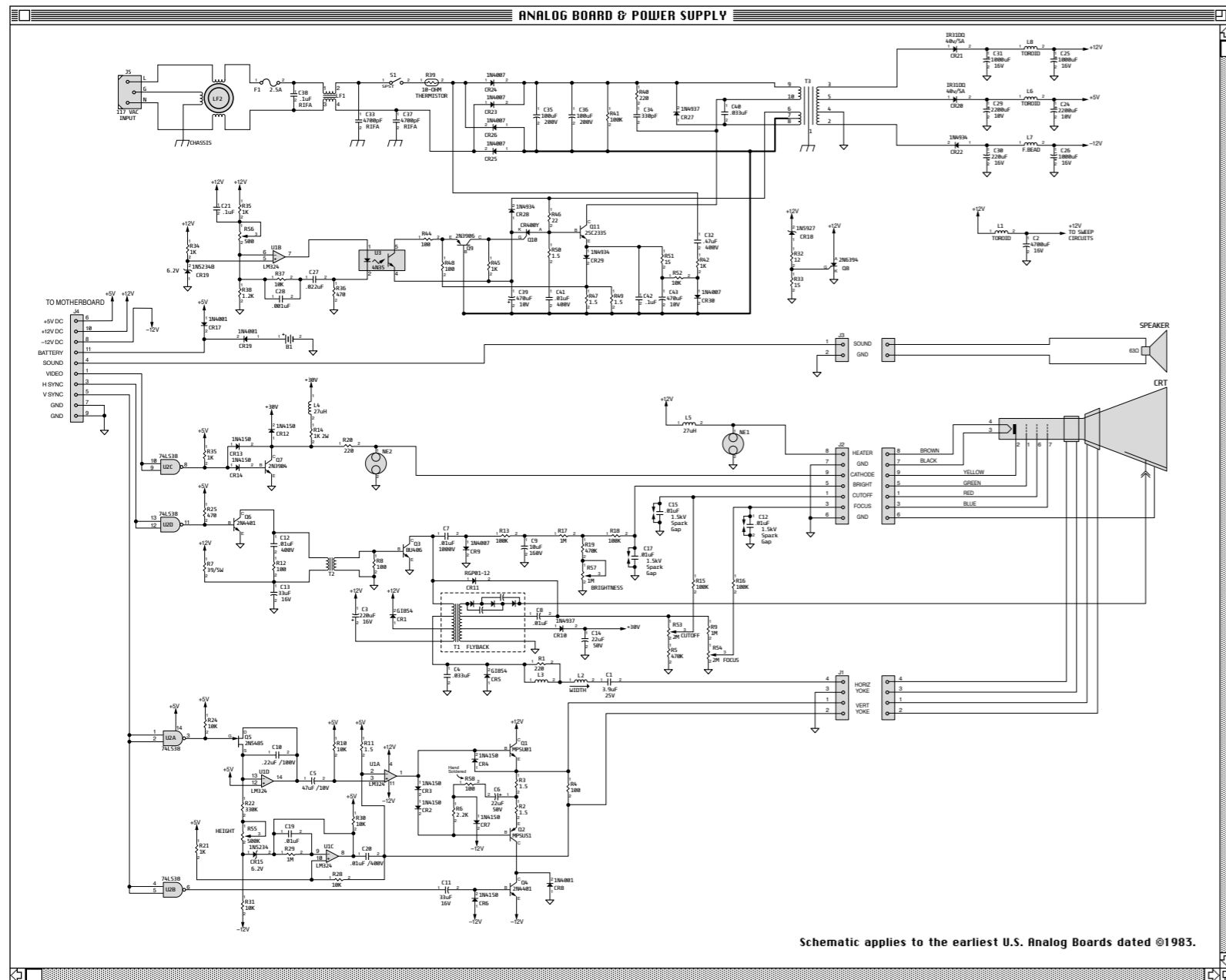


Macintosh Computer Additional Schematics

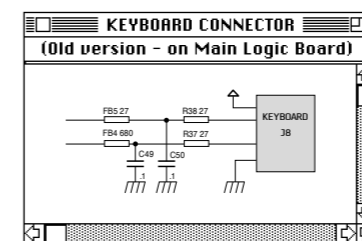
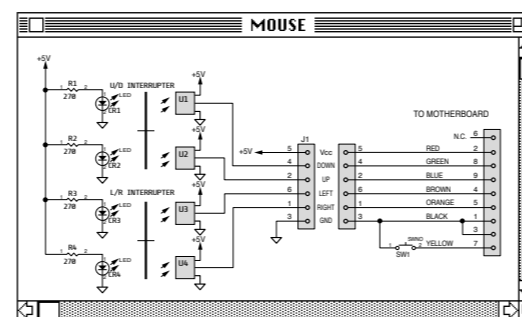
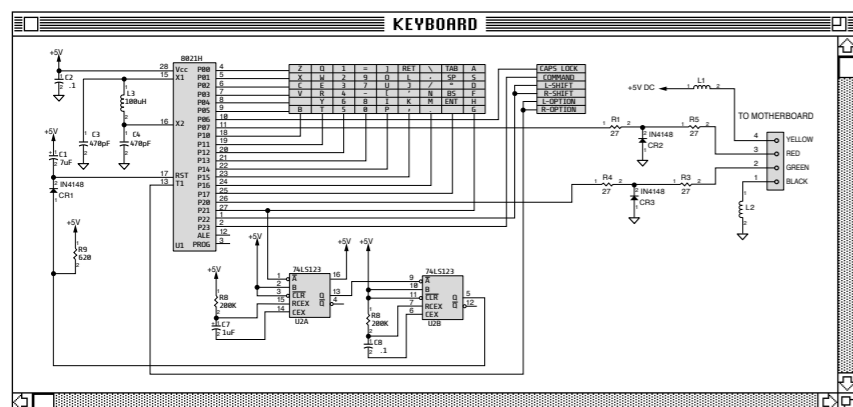
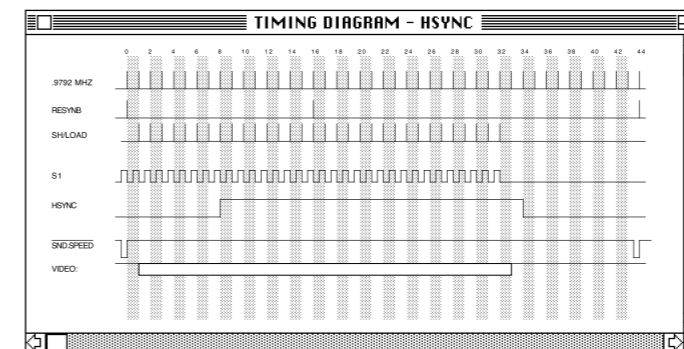
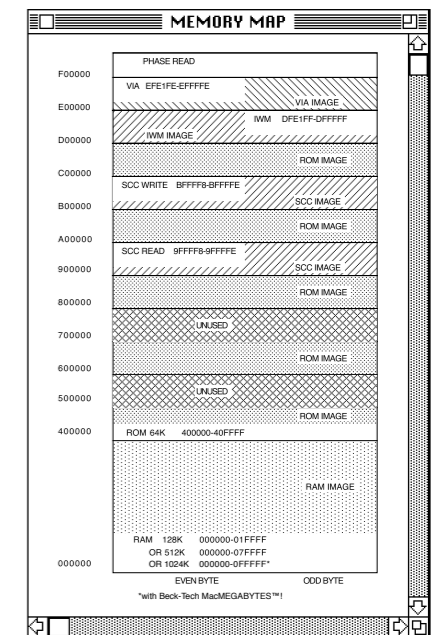
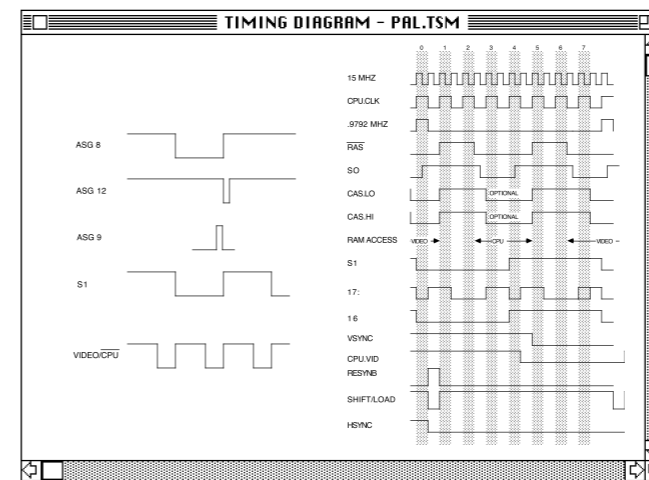
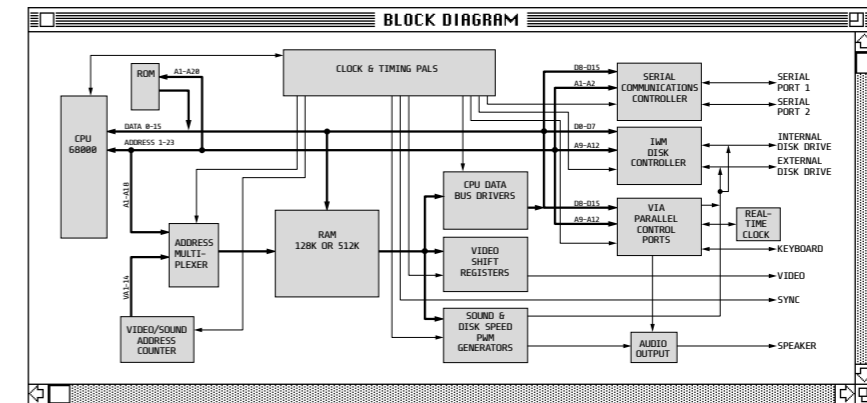
9 items

try the Beck-Tech MacMegabytes™ memory upgrade for your Mac

1,048,576 bytes



Schematic applies to the earliest U.S. Analog Boards dated ©1983.



©1985 Beck-Tech All Rights Reserved
 A production of Beck-Tech 41 Tunnel Road Berkeley, CA 94705 415-548-4054
 This poster is provided for informational and educational purposes only. Beck-Tech makes no warranty as to its fitness for a particular application, and disclaims any liability for damages which may arise from the use of this information. The technical information contained within this poster was developed by Beck-Tech, a microcomputer design consulting company, independently of any third parties or other persons. Macintosh Computer and MAC are trademarks of APPLE Computer Corp. which owns patents and copyrights protecting the designs.
 Produced and directed by Stephen Beck Engineering: Phat Ho & Henry Spragens
 CAD Digitization and Plotter: Steve Huskins
 Layout: Vince Collins Printing: Albany Press, Emeryville, CA
 Made in California, U.S.A.